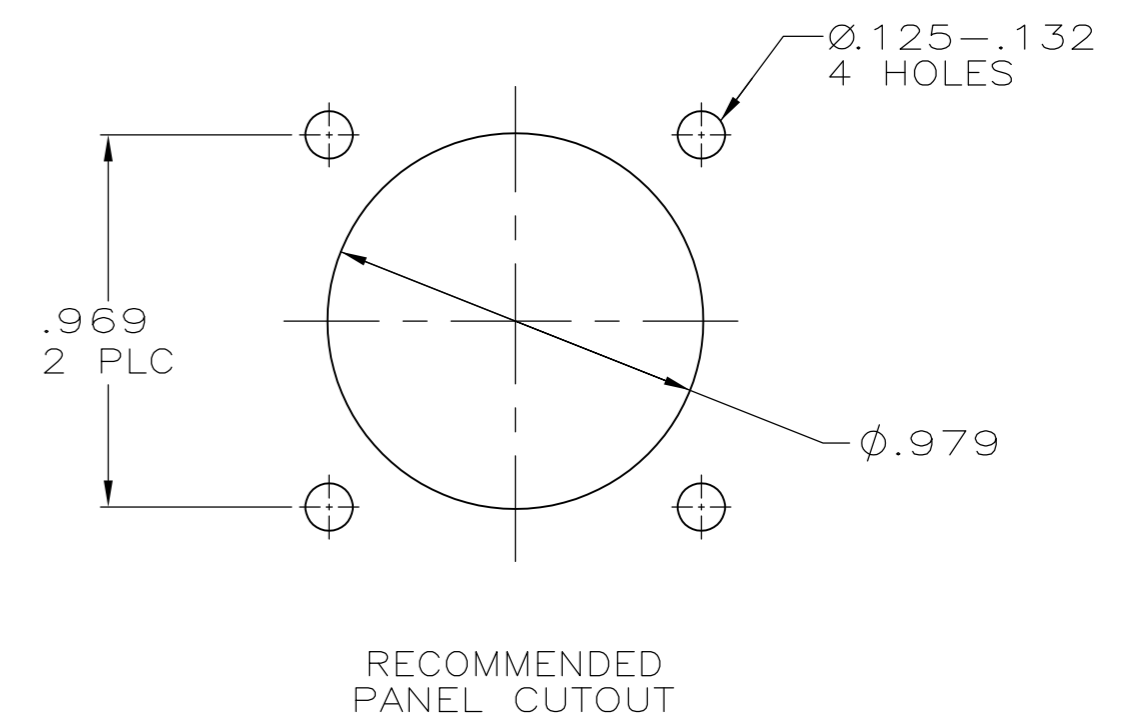
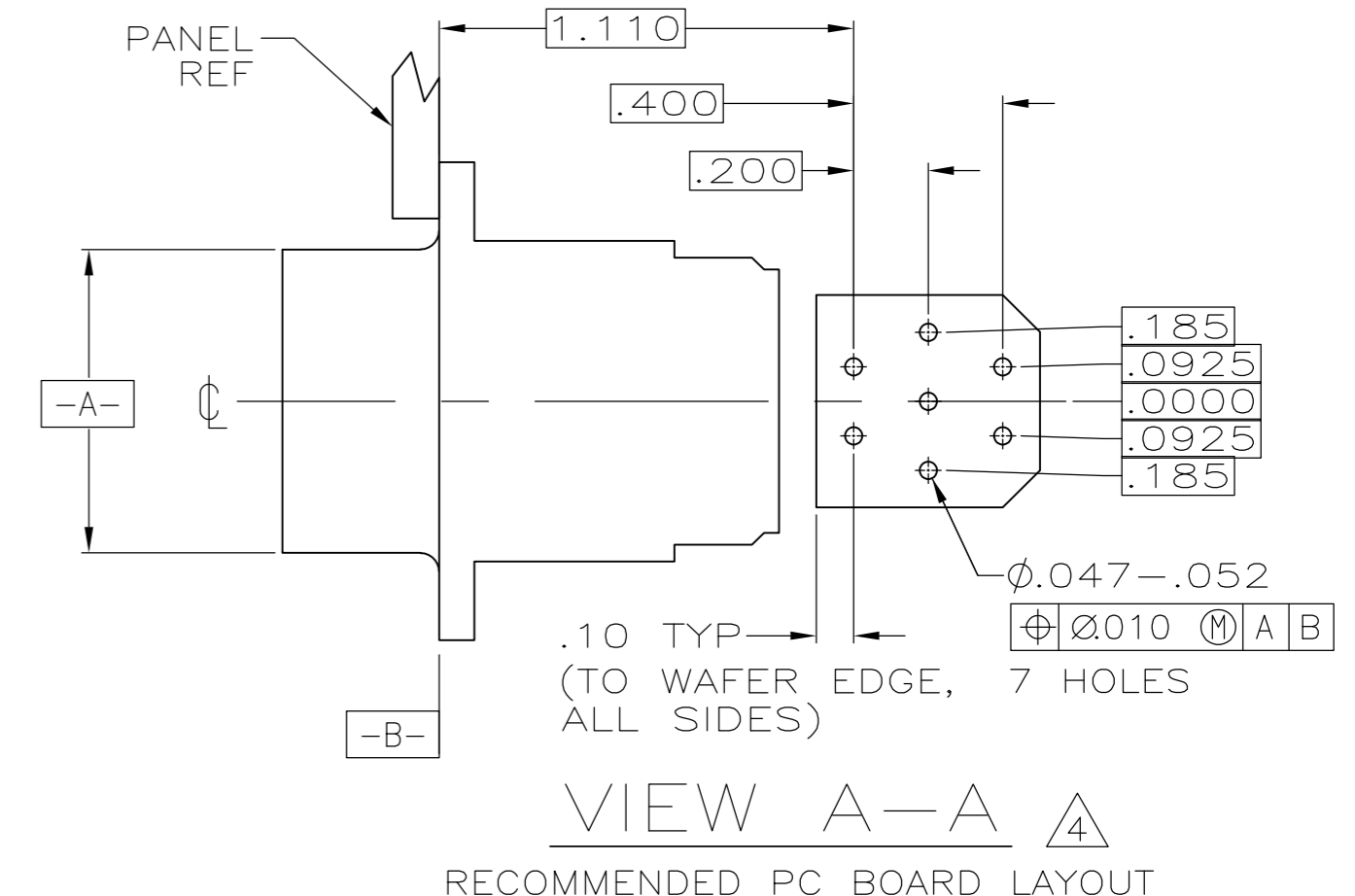
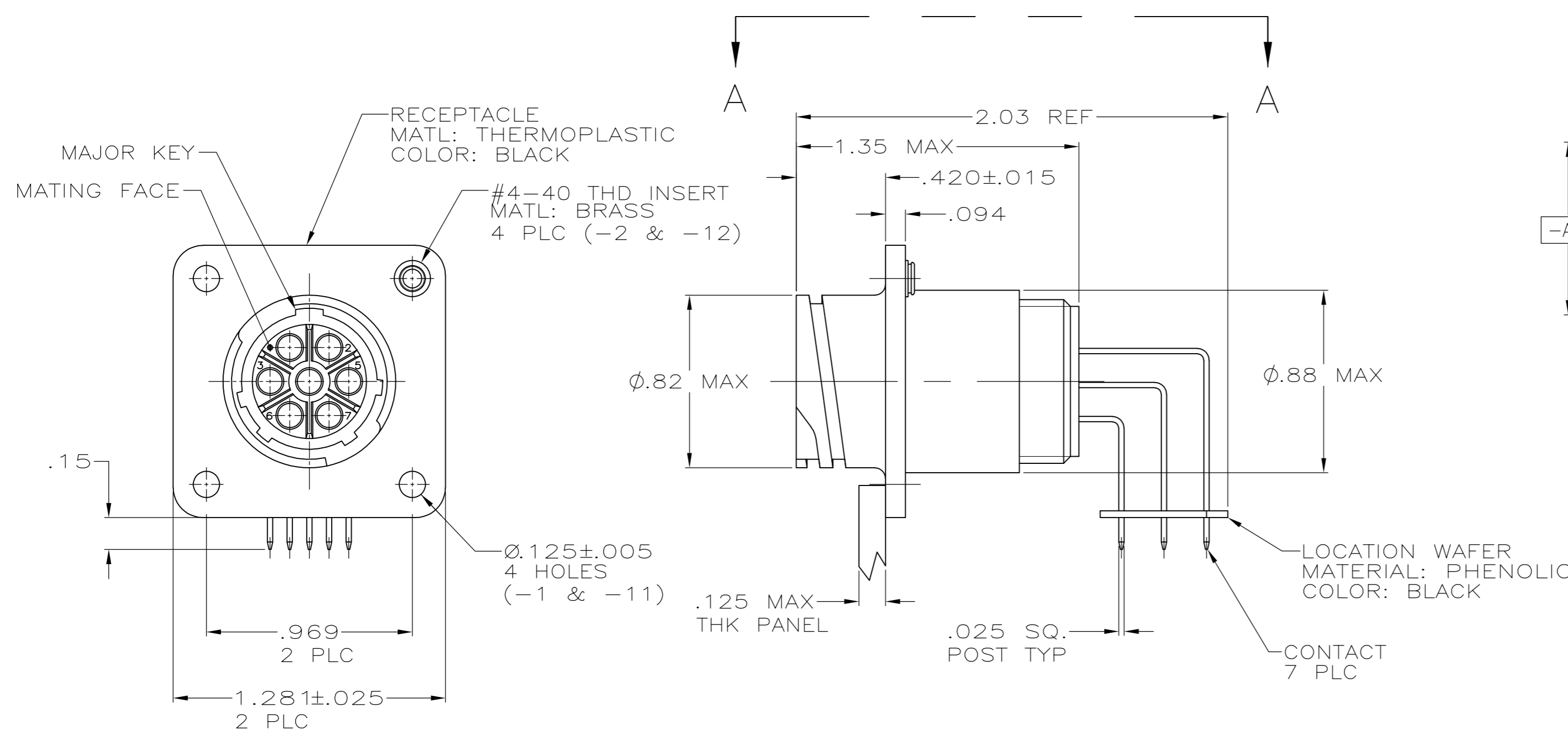


THIS DRAWING IS UNPUBLISHED. RELEASED FOR PUBLICATION
 © COPYRIGHT - By - ALL RIGHTS RESERVED.

| REVISIONS | | | | | |
|-----------|-----|---------------------------|-----------|-----|------|
| P | LTR | DESCRIPTION | DATE | DWN | APVD |
| D1 | | REVISED PER ECO-16-004800 | 08SEP2016 | NK | MZ |



- 1 CONTACT CAVITIES IDENTIFIED BY CHARACTERS ON FRONT AND REAR FACES OF CONNECTOR.
- 2 #4 FASTENER RECOMMENDED FOR -1 MOUNTING.
#4 FASTENER REQUIRED FOR -2 MOUNTING.
- 3 CONTACT BODY: .000030 MIN GOLD FOR A LENGTH OF .250 MIN FROM MATING END, WITH REMAINDER TO BE GOLD FLASH, BOTH OVER .000050 MIN NICKEL.
CONTACT POST: .000100 MIN TIN-LEAD OVER .000100 MIN COPPER.
- 4 PC BOARD HOLE PATTERN IS DEFINED RELATIVE TO CONNECTOR C.L. AND PANEL MOUNTING FACE INDICATED.
- 5 CONTACT BODY: .000030 MIN GOLD FOR A LENGTH OF .250 MIN FROM MATING END, WITH REMAINDER TO BE GOLD FLASH, BOTH OVER .000050 MIN NICKEL.
CONTACT POST: .000100 MIN TIN OVER .000100 MIN COPPER.

| | | | |
|----------------|---------|-------------|------------|
| OBSOLETE | 5 | W/INSERTS | 1-796435-2 |
| | 5 | W/O INSERTS | 1-796435-1 |
| | 3 | W/INSERTS | 796435-2 |
| | 3 | W/O INSERTS | 796435-1 |
| CONTACT FINISH | CONFIG. | PART NUMBER | |

| | | | | | | |
|--|--|-----------------------------|--|-----------|------------|---------------|
| THIS DRAWING IS A CONTROLLED DOCUMENT. | | DWN HAMMER 2-19-00 | | | | |
| DIMENSIONS: INCHES | | CHK M.CHACKO 2-23-00 | | | | |
| TOLERANCES UNLESS OTHERWISE SPECIFIED: | | APVD M.CHACKO 2-23-00 | NAME RECEPTACLE ASSY, POSTED, RT ANGLE, STD SEX, SIZE 13-7, SERIES 1, CPC | | | |
| 0 PLC ± - | | PRODUCT SPEC | SIZE | CAGE CODE | DRAWING NO | RESTRICTED TO |
| 1 PLC ± - | | APPLICATION SPEC | A2 | 00779 | C=796435 | - |
| 2 PLC ± .03 | | | CUSTOMER DRAWING | | SCALE | SHEET |
| 3 PLC ± .010 | | | | | 2:1 | 1 of 1 |
| 4 PLC ± - | | | | | | REV |
| ANGLES ± - | | | | | | D1 |
| FINISH | | | | | | |