

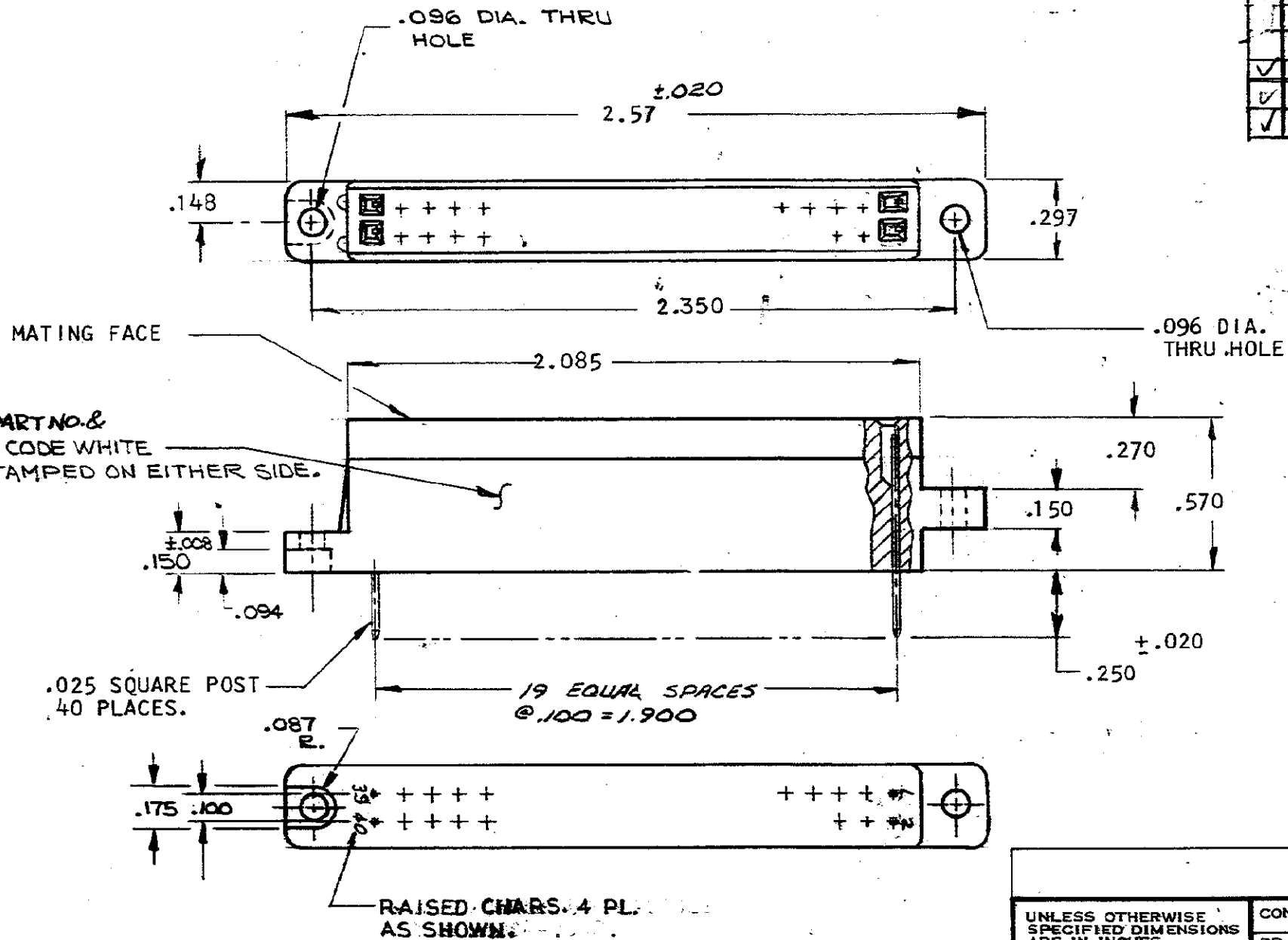
DRAWING MADE IN THIRD ANGLE PROJECTION

© COPYRIGHT 1973 BY AMP INCORPORATED, HARRISBURG, PA.  
ALL INTERNATIONAL RIGHTS RESERVED. AMP INCORPORATED PRODUCTS  
COVERED BY U. S. AND FOREIGN PATENTS AND/OR PATENTS PENDING.

206542-1 1. AS SHOWN

LOC DF DIST EO

REVISIONS					
REV	ZONE	LTR	DESCRIPTION	DATE	APPROVED
0			RELEASED	11/16/73	[Signature]
01			REV. PER ECN C-773	2-5-74	[Signature]
A			REV. PER ECN C-981	5/1/74	[Signature]
B			REV. PER ECN D-132	8/14/74	[Signature]
C			ADDED INK STAMPING D-505	7/14/75	[Signature]
D			REV. CAVITY E-248	5/21/76	[Signature]
E			REV. PER ECN E-868	2/22/77	[Signature]
F			REV PER ECN H-744	6-17-81	[Signature]
G			REV PER ECN J-008	9-4-81	[Signature]
H			REV PER ECN DF-0582	8-15-82	[Signature]



UNLESS OTHERWISE SPECIFIED DIMENSIONS ARE IN INCHES. TOLERANCES ON: DECIMALS ±.005 ANGLES ±		CONTRACT NO.		PART NO.	
MATERIAL GLASS REINFORCED NYLON, BLACK		DR [Signature] 11/16/73		AMP INCORPORATED Harrisburg, Pa.	
FINISH		CHK [Signature] 11/16/73		NAME RECEPTACLE MODULE 40 POS. ASSY. ZERO ENTRY CONN.	
		APPD [Signature] 11/16/73		SIZE B	
		QSGN APPD		CODE IDENT NO 00779	
		OTHER APPD		NUMBER 206542	
				SCALE	
				SHEET 1 OF 2	

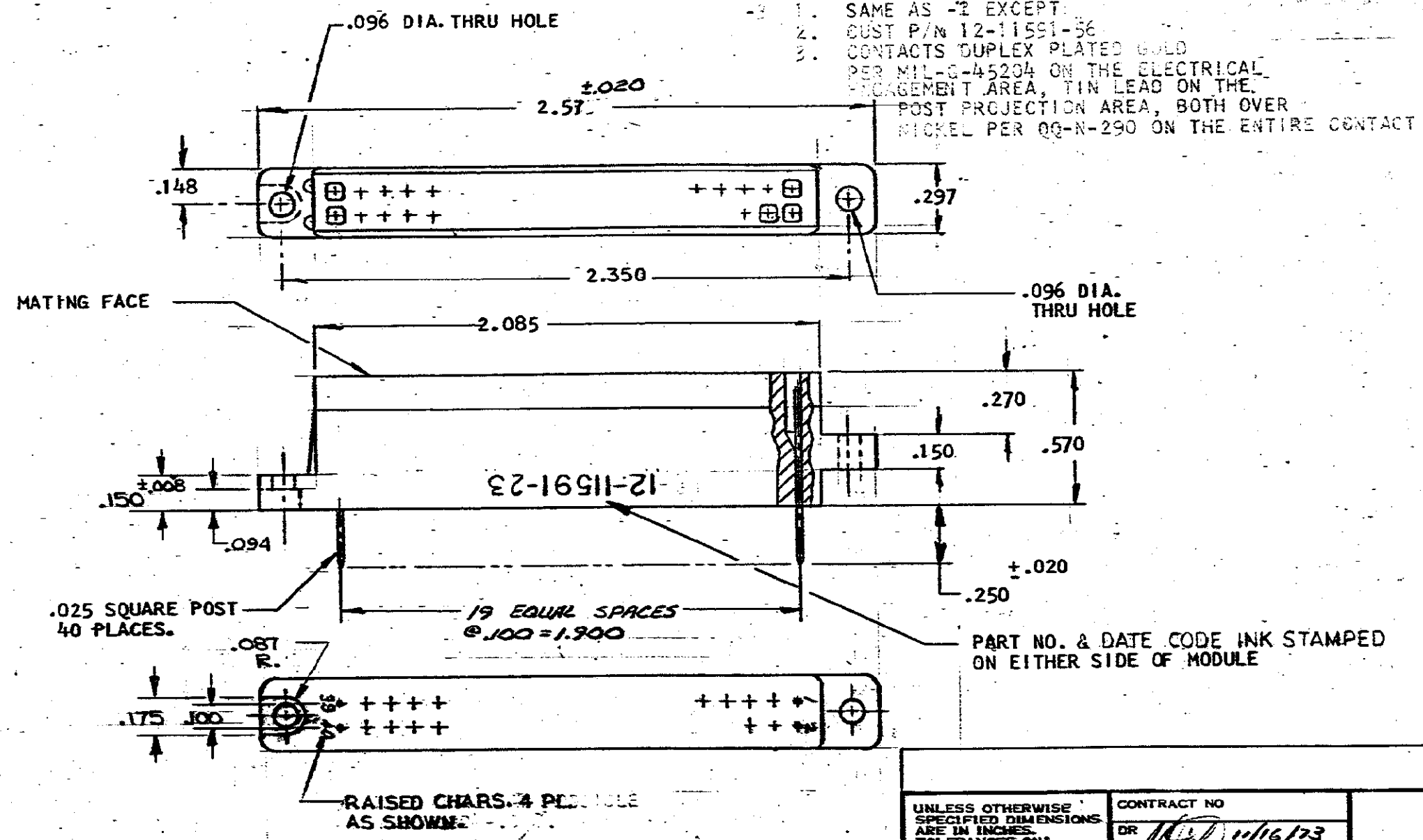
DRAWING MADE IN THIRD ANGLE PROJECTION

© COPYRIGHT 1973 BY AMP INCORPORATED, HARRISBURG, PA. ALL INTERNATIONAL RIGHTS RESERVED. AMP INCORPORATED PRODUCTS COVERED BY U. S. AND FOREIGN PATENTS AND/OR PATENTS PENDING.

206542-2

1. AS SHOWN

		REVISIONS				
P	F	ZONE	LTR	DESCRIPTION	DATE	APPROVED
✓			H	SEE SHIT 1 -		
✓						
✓						



2. CONTACTS SELECTIVELY PLATED WITH GOLD PER MIL-C-45204 OVER NICKEL PER QQ-N-290 SAME AS -2 EXCEPT:

1. GUST P/N 12-11591-56

2. CONTACTS DUPLEX PLATED GOLD PER MIL-C-45204 ON THE ELECTRICAL ENGAGEMENT AREA, TIN LEAD ON THE POST PROJECTION AREA, BOTH OVER NICKEL PER QQ-N-290 ON THE ENTIRE CONTACT

UNLESS OTHERWISE SPECIFIED DIMENSIONS ARE IN INCHES. TOLERANCES ON: DECIMALS ± .005 ANGLES ± .1°

MATERIAL: GLASS REINFORCED NYLON, BLACK

FINISH: *Handwritten mark*

CONTRACT NO: DR *Handwritten* 11/16/73

CHKD: *Handwritten* 11/16/73

APPROV: *Handwritten*

DESIGN APPD: *Handwritten*

OTHER APPD:



AMP INCORPORATED Harrisburg, Pa. NAME: RECEPTACLE MODULE 40 POS. ASSY, ZERO ENTRY CONN.

SIZE: B CODE IDENT NO: 00779 NUMBER: 206542

SCALE: SHEET 2 OF 2

PART NO