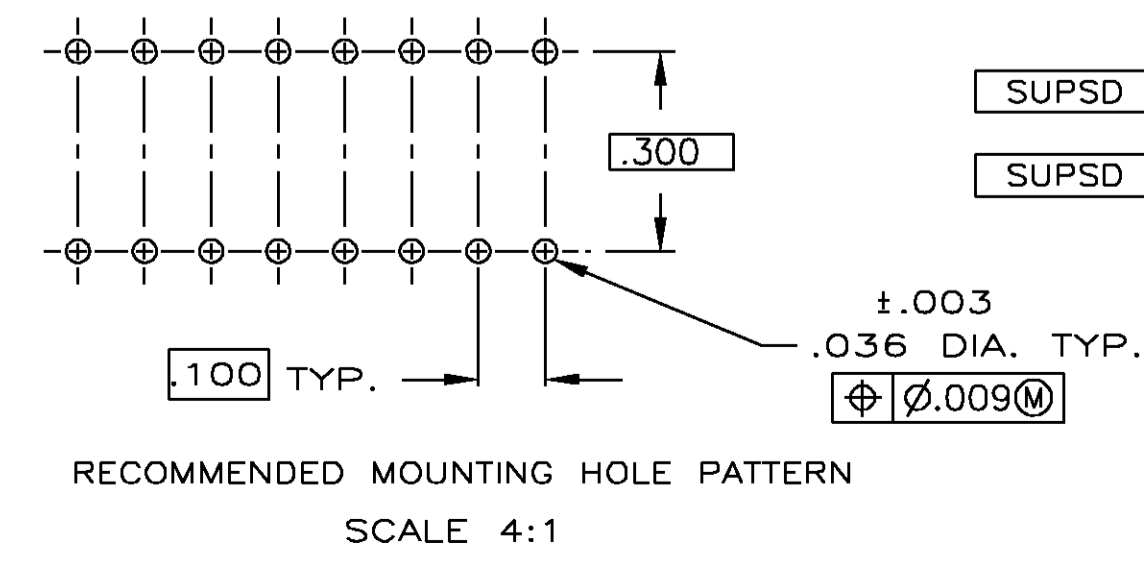
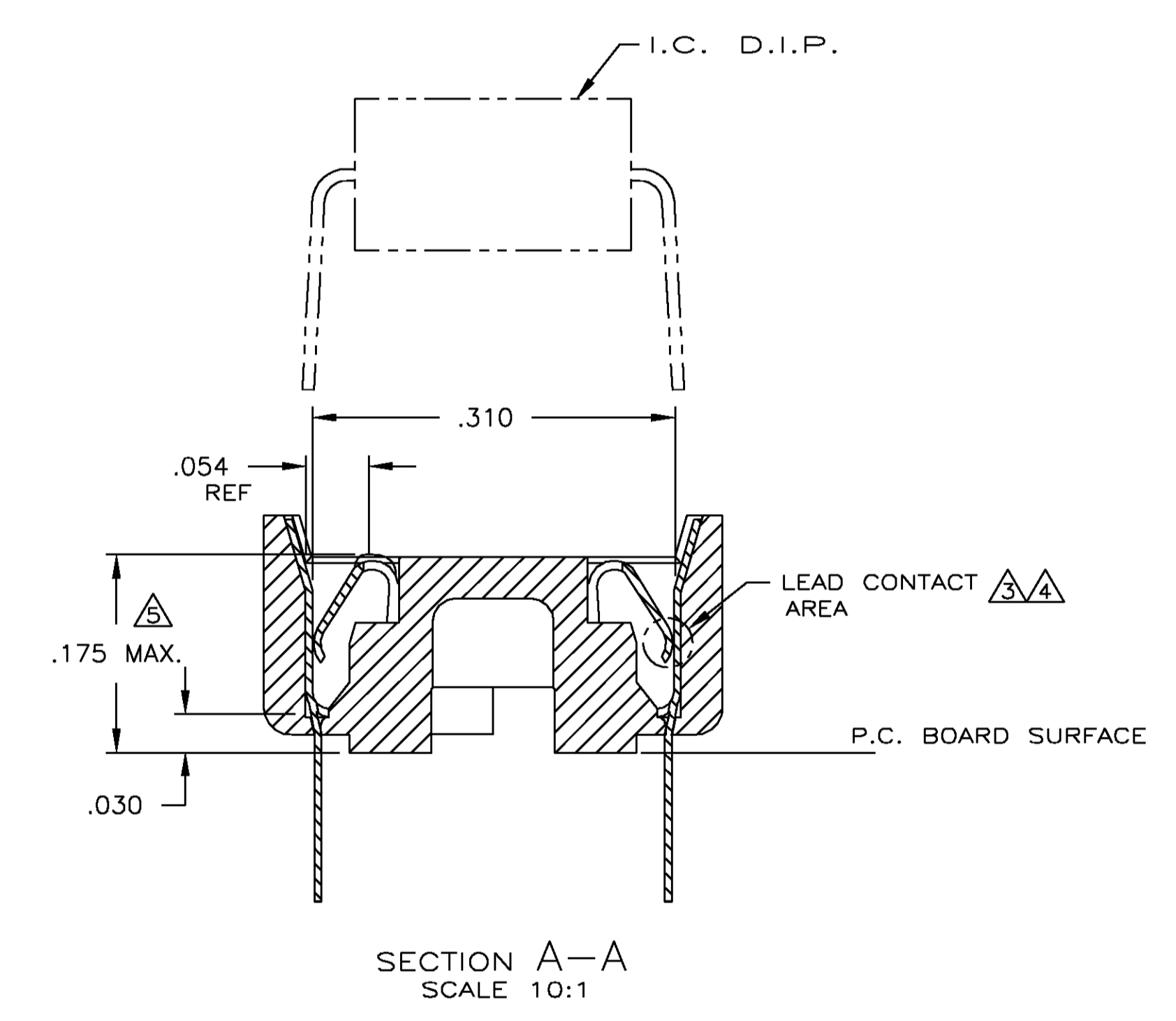
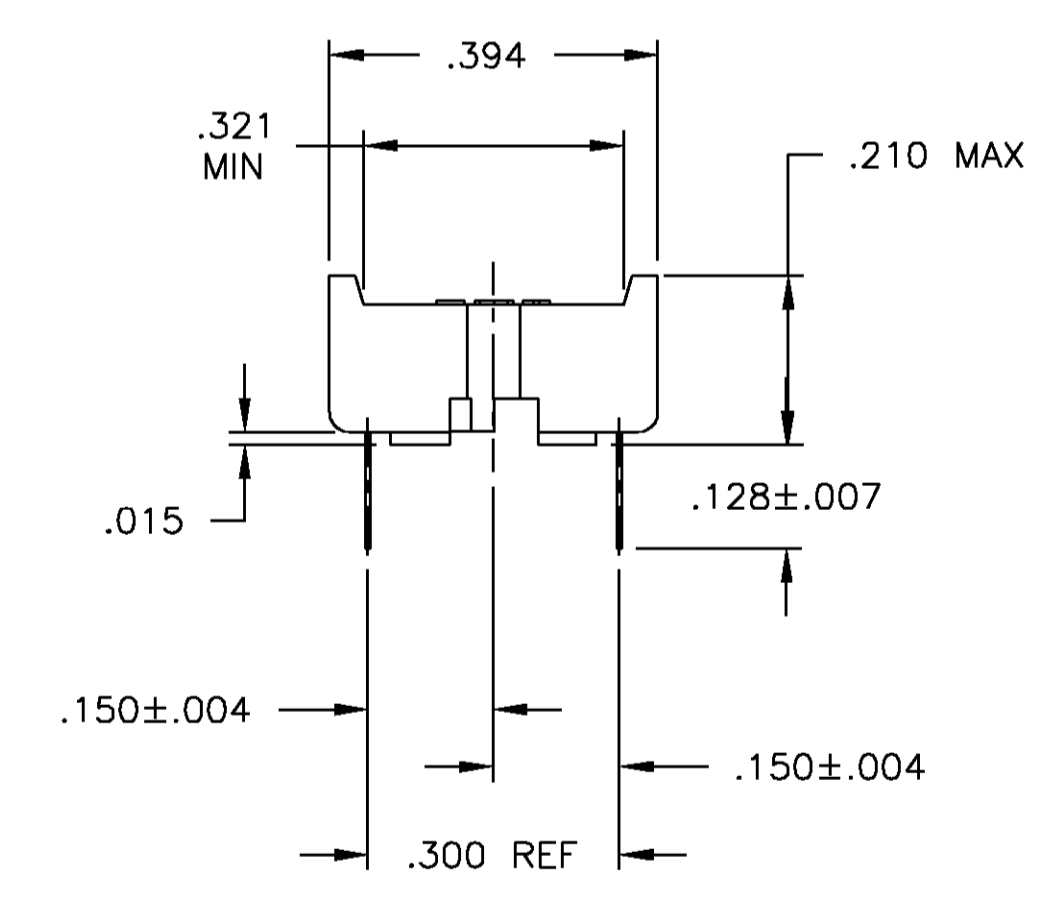
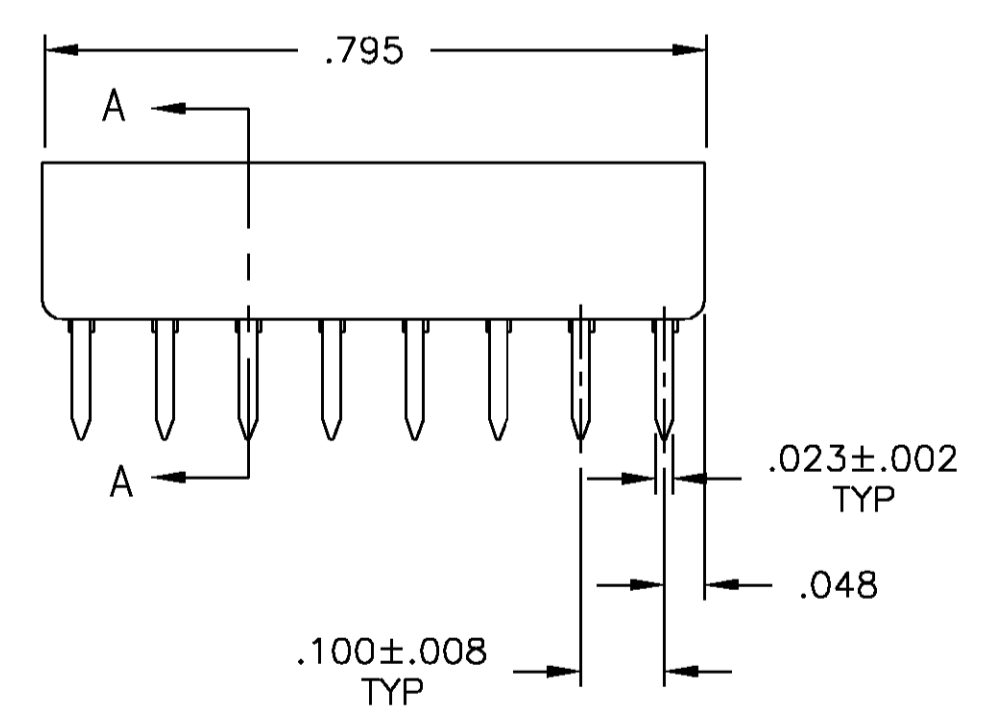
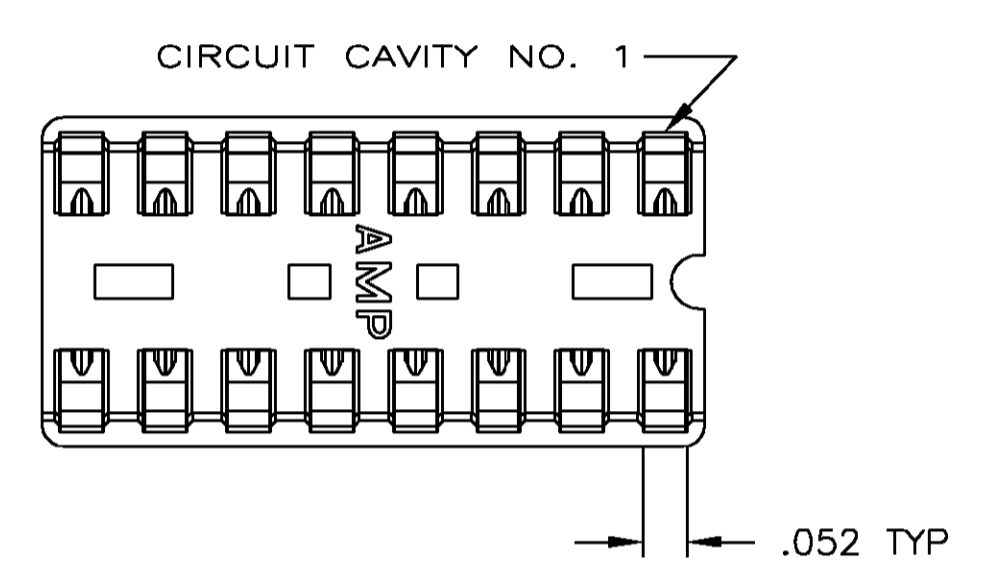


LOC		DIST		REVISIONS			
P	LN	DESCRIPTION	DATE	DR	APPD		
AD	0						
	AB	REV PER OG3C-0254-00	21AUG00	RB	HW		

1. RECEPTACLE ACCEPTS A .008-.014 THICK I.C. LEAD.
2. TUBE LOADED FOR AUTOMATIC INSERTION.
3. TWO .000030 MIN THK. GOLD STRIPES IN CONTACT AREA WITH TIN-LEAD
4. TWO .000015 MIN THK. GOLD STRIPES IN CONTACT AREA WITH TIN-LEAD (93/7) ON CONTACT LEGS, BALANCE OF CONTACT NICKEL PLATED.
5. MAXIMUM DIMENSION FOR I.C. SEATING PLANE.



SUPSD BY 390261-4	△	PHOS.BRZ. .006 THK	GLASS-FILLED THERMOPLASTIC, 94V-0, BLACK	2-640358-4
	TINNED	PHOS.BRZ. .006 THK	GLASS-FILLED THERMOPLASTIC, 94V-0, BLACK	2-640358-3
SUPSD BY 390261-4	△	BE.CU. .006 THK	GLASS-FILLED THERMOPLASTIC, 94V-0, BLACK	2-640358-2
	TINNED	BE.CU. .006 THK	GLASS-FILLED THERMOPLASTIC, 94V-0, BLACK	2-640358-1
	CONTACT FINISH	CONTACT MAT'L	HOUSING MATERIAL	PART NO.
THIS DRAWING IS A CONTROLLED DOCUMENT.				
DIMENSIONS:		TOLERANCES UNLESS OTHERWISE SPECIFIED:		
INCHES:		OTHERWISE SPECIFIED:		
0 PL	± .005	DR	R BROWN	21AUG00
1 PL	± .005	DR	H WYNKOOP	21AUG00
2 PL	± .005	APD	H WYNKOOP	21AUG00
3 PL	± .005	NAME	Tyco Electronics Corporation Harrisburg, PA 17105	
4 PL	± .005	PRODUCT SPEC	SOCKET ASSY, DIP, 16 POS, DIPLOMATE DL	
ANGLES	± .005	APPLICATION SPEC	-	
MATERIAL	SEE TABLE	FINISH	114-1049	RESTRICTED TO
WEIGHT	SEE TABLE	SIZE	A1	00779
CUSTOMER DRAWING		DRAWING NO	640358	SCALE 5:1 SHEET 1 OF 1