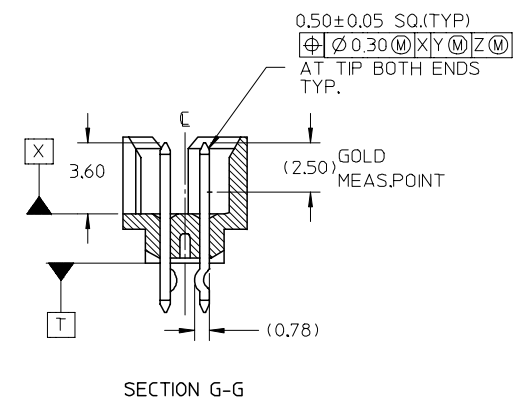


P/N IN TUBE	P/N IN BIN (COMPAQ S'PORE)	CKT SIZE	KINKED CKT	VOID(S) CKT
87831-5026	87831-5998	50	2, 25, 50	38
87831-5027	87831-5999	50	2, 25, 50	38



- NOTES:
- FOR ILLUSTRATION PURPOSES, 50 CIRCUIT SIZE WAFER IS SHOWN.
 - MATERIAL :
HOUSING : 30% G.F., NYLON 46, UL94V-0, COLOR BLACK.
PIN : 0.50MM SQ.PHOSPHOR BRONZE.
 - PIN PUSHOUT FORCE : 0.91 KG MIN. IN EITHER DIRECTION.
 - PRODUCT SPECIFICATION PS-87831-027 APPLIES.
 - KINKS ARE AT THE END AND MIDDLE PINS ONLY.
 - PARTS ARE PACKED IN TUBE, BUT FOR 'COMPAQ S'PORE' THE " ABOVE ARE FINAL PACKED IN BIN (SEE SHT 2).
 - THIS HEADER MATES WITH MOLEX :
a) CRIMP RECEPTACLE HOUSING, 51110 SERIES WITH CRIMP TERMINAL, 50394 SERIES.
b) 2MM MILLIGRID DUAL ROW IDT, 87568 SERIES.
 - PARTS TO BE PACKED IN TUBE WITH MOISTURE BARRIER BAG.

PART NUMBER LEGEND :

87831 - * * * *

PLATING OPTIONS

26 - 0.38um/15uin GOLD IN CONTACT AREA AND 1.88um/75uin MIN. TIN IN SOLDER TAIL AREA OVER 1.27um/50uin MIN. NICKEL OVERALL.

27 - 0.76um/30uin GOLD IN CONTACT AREA AND 1.88um/75uin MIN TIN IN SOLDER TAIL AREA OVER 1.27um/50uin MIN. NICKEL OVERALL.

ADD MOIST BAG NOTE
EC NO: S2007-0892
DRAWN:GMENARLY
CHKD:SKANG
APPR:MLONG

QUALITY SYMBOLS
▽=0
△=0

GENERAL TOLERANCES (UNLESS SPECIFIED)	
mm	INCH
4 PLACES ± ---	± ---
3 PLACES ± ---	± ---
2 PLACES ± 0.2	± ---
1 PLACE ± ---	± ---
ANGULAR ± 3 °	

DIMENSION STYLE MM ONLY	
DRAWN BY	DATE
ATSEE	2003/10/06
CHECKED BY	DATE
KCLING	2003/11/07
APPROVED BY	DATE
SKTOH	2003/11/07
MATERIAL NO.	
SEE TABLE	

SCALE NTS	DESIGN UNITS METRIC	THIRD ANGLE PROJECTION
MGRID, SHROUDED HEADER VERTICAL, W/KINKED SOLDER TAILS AND VOID		
MOLEX INCORPORATED		
DOCUMENT NO.	SHEET NO.	
SD-87831-017	1 OF 2	
THIS DRAWING CONTAINS INFORMATION THAT IS PROPRIETARY TO MOLEX INCORPORATED AND SHOULD NOT BE USED WITHOUT WRITTEN PERMISSION		

TUBE P/NO: 89990-0007

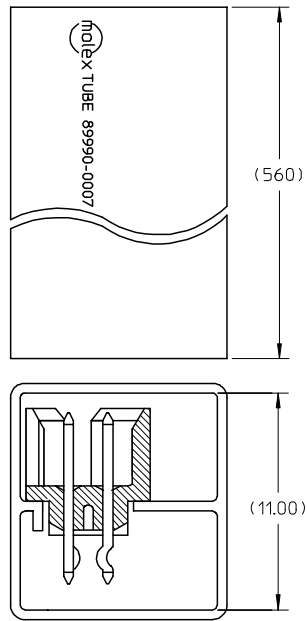


FIG. 1 : ORIENTATION OF PART IN TUBE

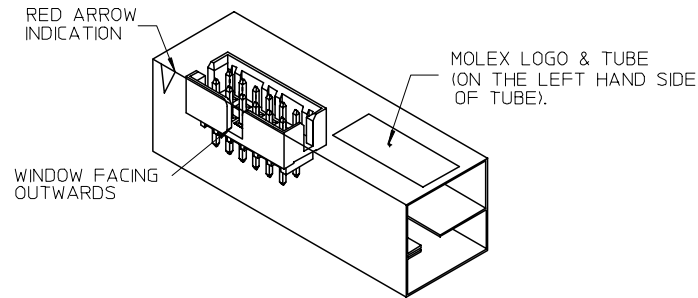
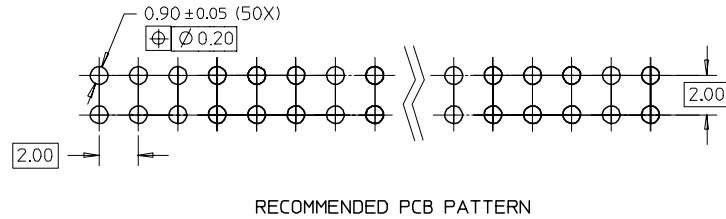


FIG. 2 : ORIENTATION OF PART IN TUBE
(FOR THE REFERENCE OF PART/TUBE ASSY)

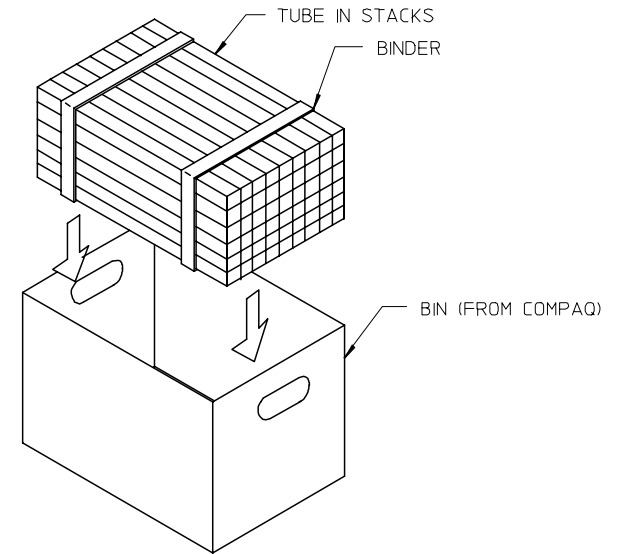


FIG. 3 : PARTS IN TUBE PACKED IN BIN
(ILLUSTRATION OF TUBE IN BIN, PICTURE DOES NOT REPRESENT EXACT QTY OF PARTS OR EXACT ORIENTATION IT IS PACKED)

ADD MOIST BAG NOTE EC NO: S2007-0892 DRWN:GIVENARLY 2007/05/04 CHKD:SKANG 2007/05/04 APPR:MLONG 2007/05/07	QUALITY SYMBOLS ▽=0 ▽=0	GENERAL TOLERANCES (UNLESS SPECIFIED)		DIMENSION STYLE	SCALE	DESIGN UNITS	THIRD ANGLE PROJECTION	
				MM ONLY	NTS	METRIC		
				DRAWN BY	DATE	TITLE		
				ATSEE	2003/10/06	MGRID, SHROUDED HEADER VERTICAL, W/KINKED SOLDER TAILS AND VOID		
		4 PLACES	± ---	± ---	CHECKED BY	DATE	MOLEX INCORPORATED	
		3 PLACES	± ---	± ---	KCLING	2003/11/07		
		2 PLACES	± 0.2	± ---	APPROVED BY	DATE	SD-87831-017	
		1 PLACE	± ---	± ---	SKTOH	2003/11/07		
		ANGULAR ± 3 °		MATERIAL NO.			SHEET NO.	
		DRAFT WHERE APPLICABLE MUST REMAIN WITHIN DIMENSIONS		SEE TABLE			2 OF 2	
		THIS DRAWING CONTAINS INFORMATION THAT IS PROPRIETARY TO MOLEX INCORPORATED AND SHOULD NOT BE USED WITHOUT WRITTEN PERMISSION						