

1

2

3

4

D

D

C

C

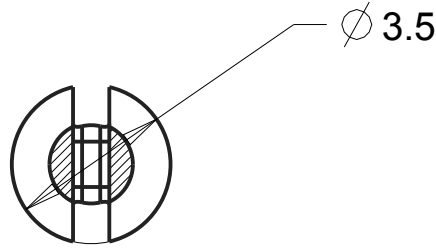
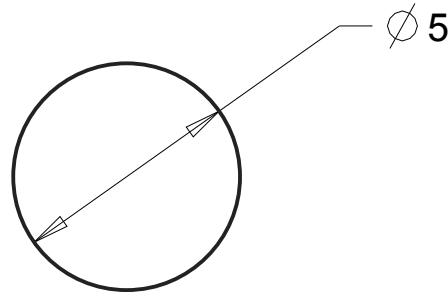
B

B

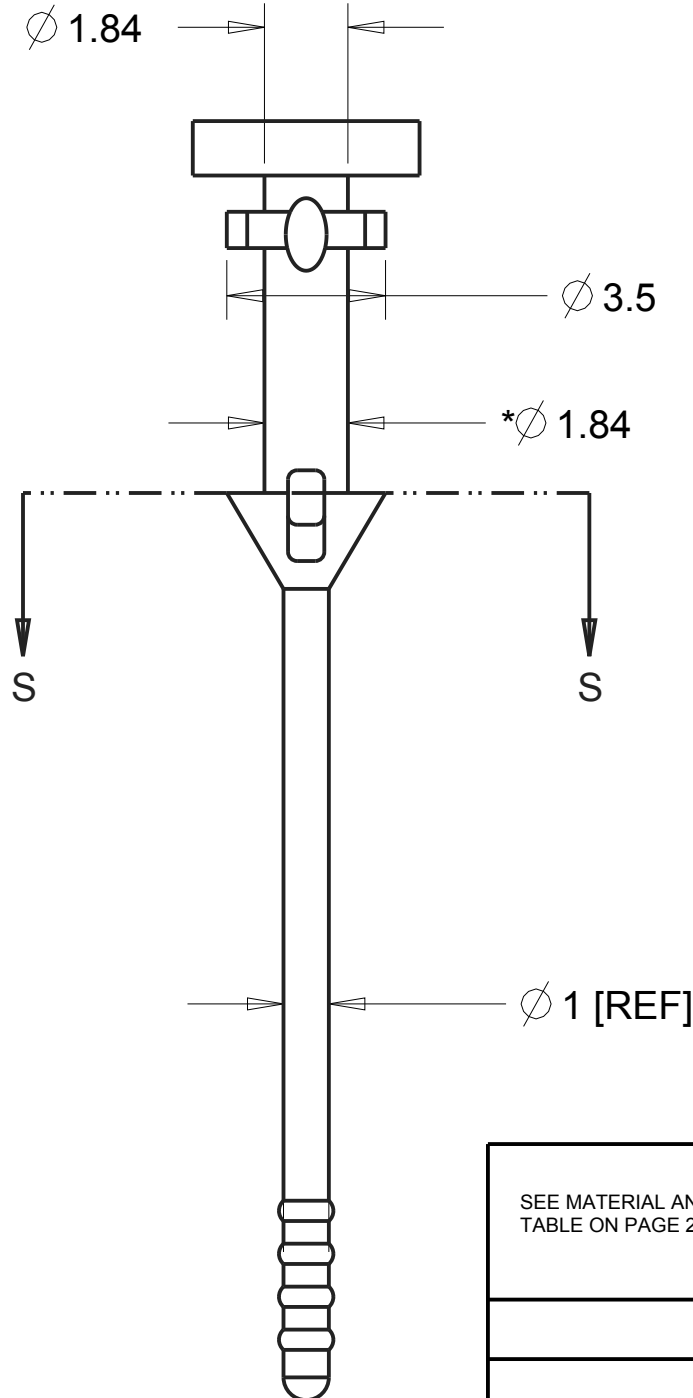
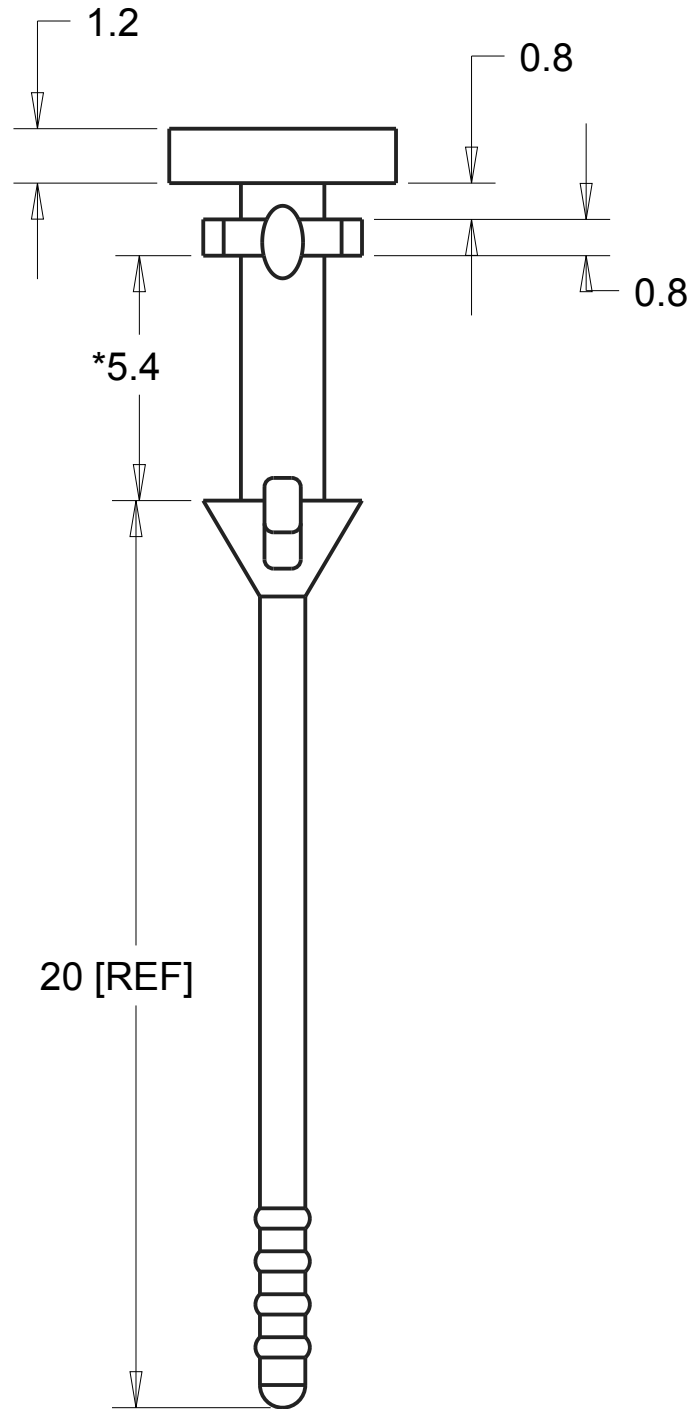
A

A

| REVISIONS |     |   |         |          |
|-----------|-----|---|---------|----------|
| DRAWN     | REV | DESCRIPTION                                 | DATE    | APPROVED |
| CP        | 01  | Original                                    | 8/31/16 |          |
| CP        | 02  | Increased Tail Length and Fan Lock Diameter | 11/4/16 |          |
|           |     |   |         |          |



SECTION S-S



NOTES:  
 1. CRITICAL DIMENSIONS ARE MARKED WITH"\*".

|  |   |                                       |           |                    |
|--|---|---------------------------------------|-----------|--------------------|
| SEE MATERIAL AND TOLERANCE TABLE ON PAGE 2 |   | AEARO TECHNOLOGIES LLC * a 3M company |           |                    |
|  | QUALITY CONTROL:<br>MUST COMPLY WITH AEARO TECHNOLOGIES LLC SUPPLIER QUALITY MANUAL REQUIREMENTS    | TITLE<br>F-334 Fan Mount              |           |                    |
|  | NOTES:<br>ANY FEATURE NOT DIMENSIONED IN PRINT MUST BE VISIBLY PRESENT, UTILIZE 3D CAD FOR CREATION | SIZE<br>B                             | ITEM CODE | DWG NO.<br>F-334-X |
| CALC WT                                    |   |                                       |           |                    |

1

2

3

4

1

2

3

4

D

D

| PART NUMBER   | MATERIAL | COLOR     |
|---------------|----------|-----------|
| X-XXX-1       | C-1002   | BLUE      |
|               | C-1105   | TURQUOISE |
|               | C-1100   | YELLOW    |
|               | C-1130   | GREY      |
| X-XXX-C8002   | C-8002   | SKY BLUE  |
|               | C-8012   | BLACK     |
|               | C-8070   | BLACK     |
|               | C-8130   | BLACK     |
| X-XXX-C6040   | C-6040   | BLACK     |
|               | C-6050   | BLACK     |
|               | C-6060   | BLACK     |
| X-XXX-SL20300 | SL-20300 | BLACK     |
|               | SL-35300 | BLACK     |
|               | SL-50300 | BLACK     |
|               | SL-60300 | BLACK     |
| X-XXX-V2325   | V-2325   | BLACK     |
|               | V-2350   | BLACK     |
|               | V-2375   | BLACK     |
|               | V-2525   | BLACK     |
|               | V-2550   | BLACK     |
|               | V-2575   | BLACK     |
|               | V-2590   | BLACK     |
|               | V-2599   | NATURAL   |
|               | V-2725   | BLACK     |
|               | V-2750   | BLACK     |
|               | V-2775   | BLACK     |

C-1XXX,C-8XXX  
C-6XXX,V-XXXX

| RANGE      | TOL    |
|------------|--------|
| 0<DIM<2    | ± 0.15 |
| 2<=DIM<25  | ± 0.25 |
| 25<=DIM<50 | ± 0.4  |
| 50<=DIM    | ± 0.6  |

|             |        |
|-------------|--------|
| DRAFT ANGLE | ± 1°   |
| FLASH       | ± 0.12 |
| GATE        | ± 0.15 |

C-8070,C-8130

| RANGE      | TOL    |
|------------|--------|
| 0<DIM<2    | ± 0.10 |
| 2<=DIM<25  | ± 0.20 |
| 25<=DIM<50 | ± 0.30 |
| 50<=DIM    | ± 0.40 |

|             |        |
|-------------|--------|
| DRAFT ANGLE | ± 1°   |
| FLASH       | ± 0.10 |
| GATE        | ± 0.20 |

SL-XXXXX

| RANGE      | TOL    |
|------------|--------|
| 0<DIM<10   | ± 0.10 |
| 10<=DIM<20 | ± 0.20 |
| 20<=DIM<50 | ± 0.30 |
| 50<=DIM<80 | ± 0.40 |
| 80<=DIM    | ± 0.5% |

|             |        |
|-------------|--------|
| DRAFT ANGLE | ± 1°   |
| FLASH       | ± 0.30 |

C

C

B

B

A

A

|   |   |                                       |           |                    |
|---|---|---------------------------------------|-----------|--------------------|
| UNLESS OTHERWISE SPECIFIED<br>UNITS ARE: MM | MATERIAL:   | AEARO TECHNOLOGIES LLC * a 3M company |           |                    |
|   | QUALITY CONTROL:<br>MUST COMPLY WITH AEARO<br>TECHONLOGIES LLC<br>SUPPLIER QUALITY MANUAL<br>REQUIREMENTS | TITLE<br>F-334 Fan Mount              |           |                    |
| CALC WT                                     | NOTES:<br>ANY FEATURE NOT DIMENSIONED<br>IN PRINT MUST BE VISIBLY PRESENT,<br>UTILIZE 3D CAD FOR CREATION | SIZE<br>B                             | ITEM CODE | DWG NO.<br>F-334-X |

1

2

3

4