

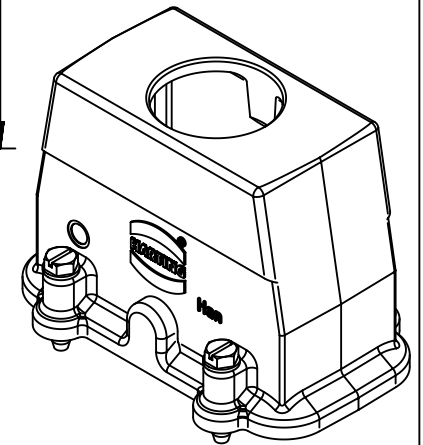
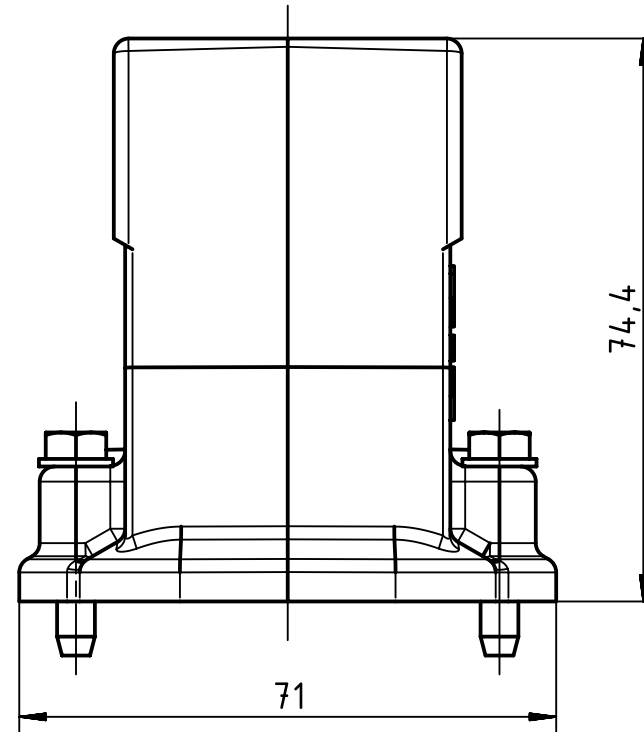
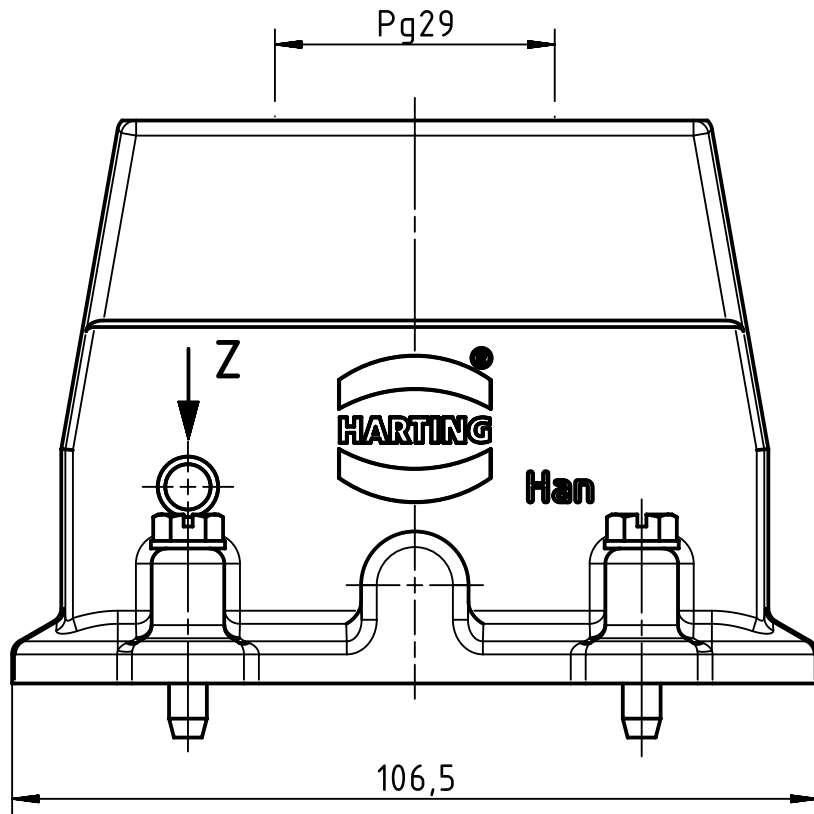
1 2 3 4 5 6

A

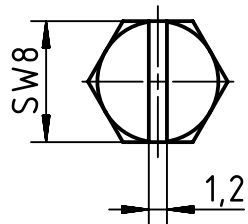
B

C

D



Z (2:1)



Coating	A=	mm ²	V=	mm ³	m=	g	Mat.
	All Dimensions in mm Original Size DIN A4		Scale	Free size tol.		Ref.	
	All rights reserved	Created by	Inspected by	Standardisation	Date	State	
	Department EL PD - DE	FINKEV	MOOR	TIEMANNA	2014-11-10	Final Release	
HARTING Electric GmbH & Co. KG		Title Han EMC 40 Hood Top Entry PG 29				Doc-Key / ECM-Nr. 100202594 / UGD/002/A 500000078553	
D-32339 Espelkamp		Type	Number		Rev.	Page	
		TB	09 62 040 0441		A	1/1	