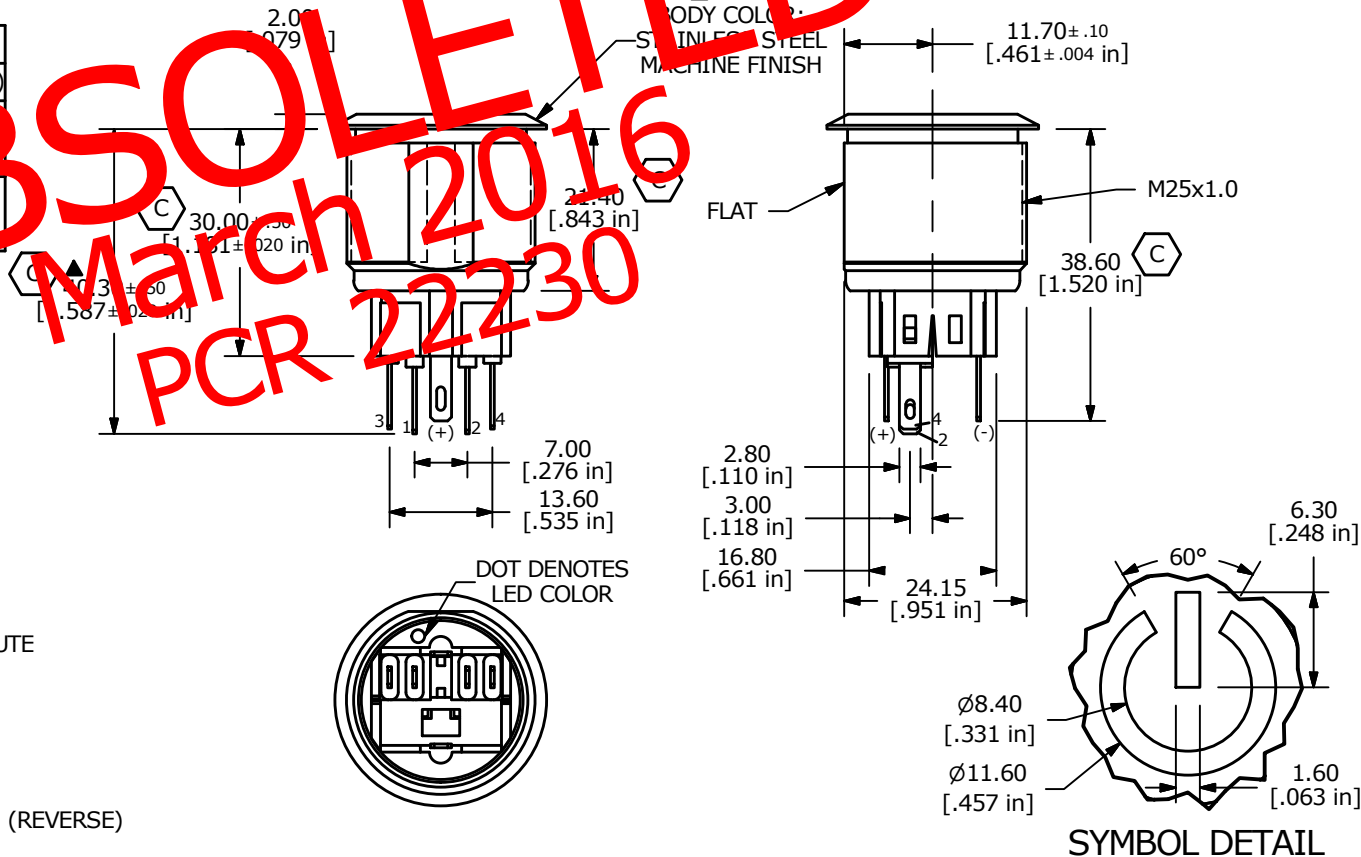


- NOTE:
1. ALL DIMENSIONS IN MM [INCH]
  2. GENERAL TOLERANCE: X.X = ± 0.4  
X.XX = ± 0.25
  3. TERMINAL NOS. FOR REF. ONLY
  - ▲ 4. FUNCTION: SPDT
  - ▲ 5. RATING: 2A @ 48VDC
  6. ILLUMINATION VOLTAGE: 12 V
  7. CONTACT RESISTANCE: 50mΩ MAX. @ 1A 12VDC
  8. INSULATION RESISTANCE: 1,000MΩ @ 500VDC
  9. DIELECTRIC STRENGTH: 2,000VAC MIN. FOR 1 MINUTE
  10. ELECTRICAL LIFE: 50,000 CYCLES
  11. OPERATING TEMPERATURE: -20°C TO 55°C
  12. INGRESS PROTECTION: IP65
  13. ▲ DENOTES CRITICAL PARAMETER
  14. SUPPLIED HARDWARE: O-RING AND HEXNUT
  - ▲ 15. 2002/95/EC (ROHS) COMPLIANT
  16. ILLUMINATION COLOR: GREEN (FORWARD), GREEN (REVERSE)
  17. CONTACT PLATING: GOLD

OBSOLETE  
March 2016  
PCR 22230



C	21426	MAKE BODY LONGER	4/4/14	EBP
B	20417	ADD TERMINATION DIMENSIONS	01/20/12	BMA
A	20243	RELEASE FOR PRODUCTION	10/28/11	BGL
REV	PCR NO	DESCRIPTION	DATE	BY

THE INFORMATION CONTAINED IN THIS DOCUMENT IS PROPRIETARY TO E-SWITCH AND IS NOT TO BE COPIED OR TRANSFERRED

E-SWITCH®

---

TITLE PV8F2Y0SSG-334-M03

SCALE 1:1	DATE 10/28/2011	DR BGL	DWG 52-PV8S00216	REV C
--------------	--------------------	-----------	---------------------	----------