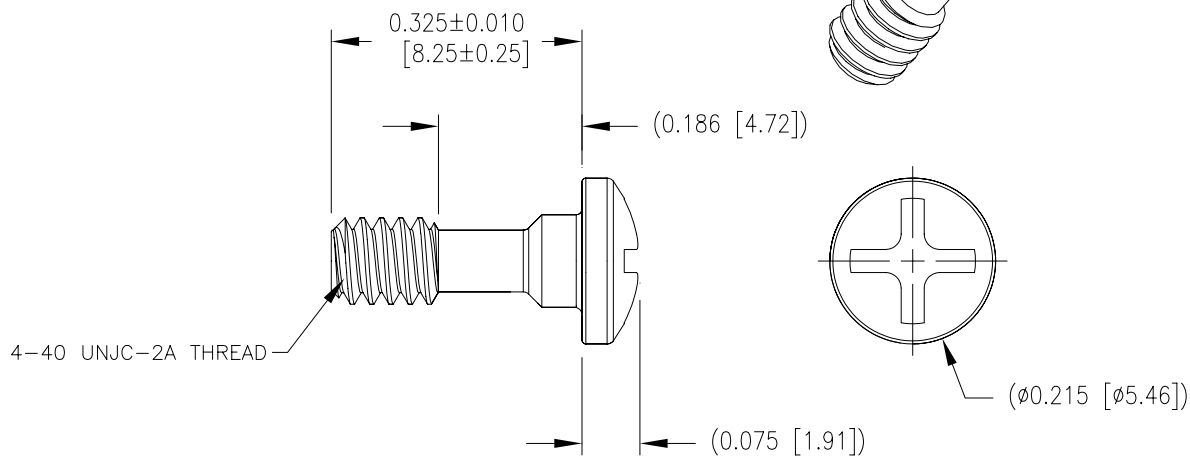


TYCO ELECTRONICS RESERVES THE RIGHT TO AMEND THIS DRAWING AT ANY TIME. USERS SHOULD EVALUATE THE SUITABILITY OF THE PRODUCT FOR THEIR APPLICATION.

REVISIONS			
LTR	DESCRIPTION	DATE	APPROVED
A1	INITIAL RELEASE PER DCR C050744	11/22/05	MHIGGY

If this document is printed it becomes uncontrolled.
Check for the latest revision.



MATERIAL:

SCREWS: 4-40 PHILLIPS HEAD, A-286 CRES, PASSIVATED,
CAPTIVE, SELF-LOCKING

©2005 Tyco Electronics Corporation. All rights reserved.

SPECIFICATION CONTROL DRAWING

UNLESS OTHERWISE SPECIFIED DIMENSIONS ARE IN INCHES. METRIC DIMENSIONS ARE IN BRACKETS. DECIMALS .XXX ± _____ .XX ± _____ ANGLES _____ WEIGHT ---	DRAWN MFORONDA 11/17/05 CHECKED APPROVED M.HIGGY 11/17/05 APPROVED CAD NAME: D050744.dwg		Tyco Electronics Corporation 300 Constitution Drive Menlo Park, CA. 94025 U.S.A.	Raychem	
	TITLE SCREW, PAN HEAD, MTC GROUNDING BLOCK FOR CHA-0305 THRU CHA-0308				
	THIRD ANGLE PROJECTION 	SIZE A CODE IDENT. NO. 06090 DO NOT SCALE THIS DRAWING	DWG. NO. CHA-0313 SHEET 1 OF 1	REV A1	