

SPECIFICATIONS

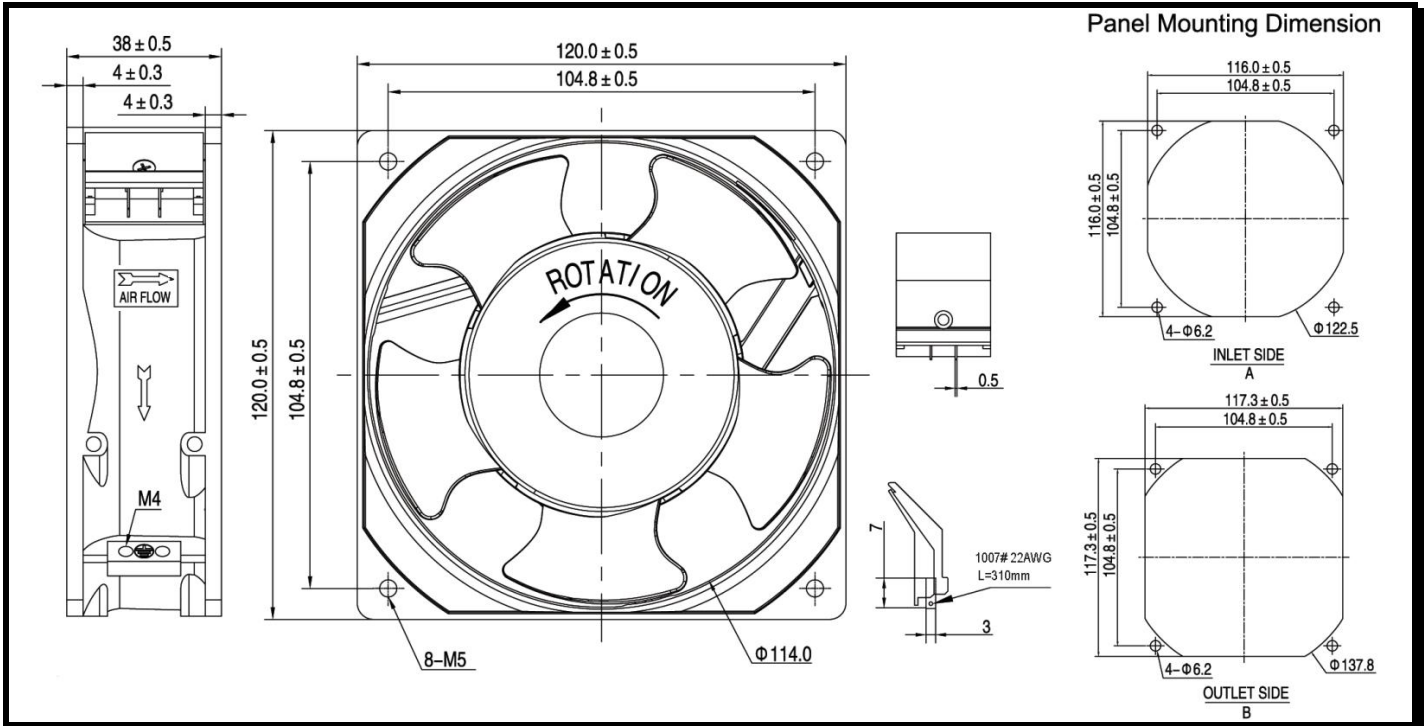
RoHS

Version: 01
Dec 07, 2017



Model Number:MX3A1
Part Number:19028326A

Mechanical Drawing:



Motor:

| | |
|-------------------------|--|
| Normal Voltage | = 220 VAC |
| Operating Voltage Range | = 198~242VAC |
| Operating Frequency | = 50/60Hz |
| Rated Current | = 0.13/0.11A |
| Input Power | = 21/18Watt |
| Average Speed | = 2700/3100RPM |
| Bearings | = Ball |
| Airflow | = 84/100CFM (Measuring at zero static pressure) |
| Static Pressure | = 0.28/0.34'' H ₂ O (Measuring at zero air flow) |
| Noise Level | = 49/51 dB(A) |
| Net Weight | = 460 gram. |

Construction:

Venturi: High quality magnesium alloy die-casting frame with ED coating and powder coating, Black.
Propeller: Magnesium alloy ED coating and painting.

Life Expectancy:

This fan is designed for continuous duty life of 83,000 hours at 40 °C.

Additional Features:

Insulation Resistance: 100MΩ or more at 500 V megger.
Dielectric strength: 2 seconds at 1800 VAC/ 50-60 Hz.
Thermal Shock: Test per MIL-STD-202F, method 107G, condition D.
Operating Temperature: -10°C to 70°C
Storage Temperature: -40°C to 85°C

Termination:

0.120" Wide Terminals

Agency Approvals:

UL, CUL, CE

PQ Curve:

