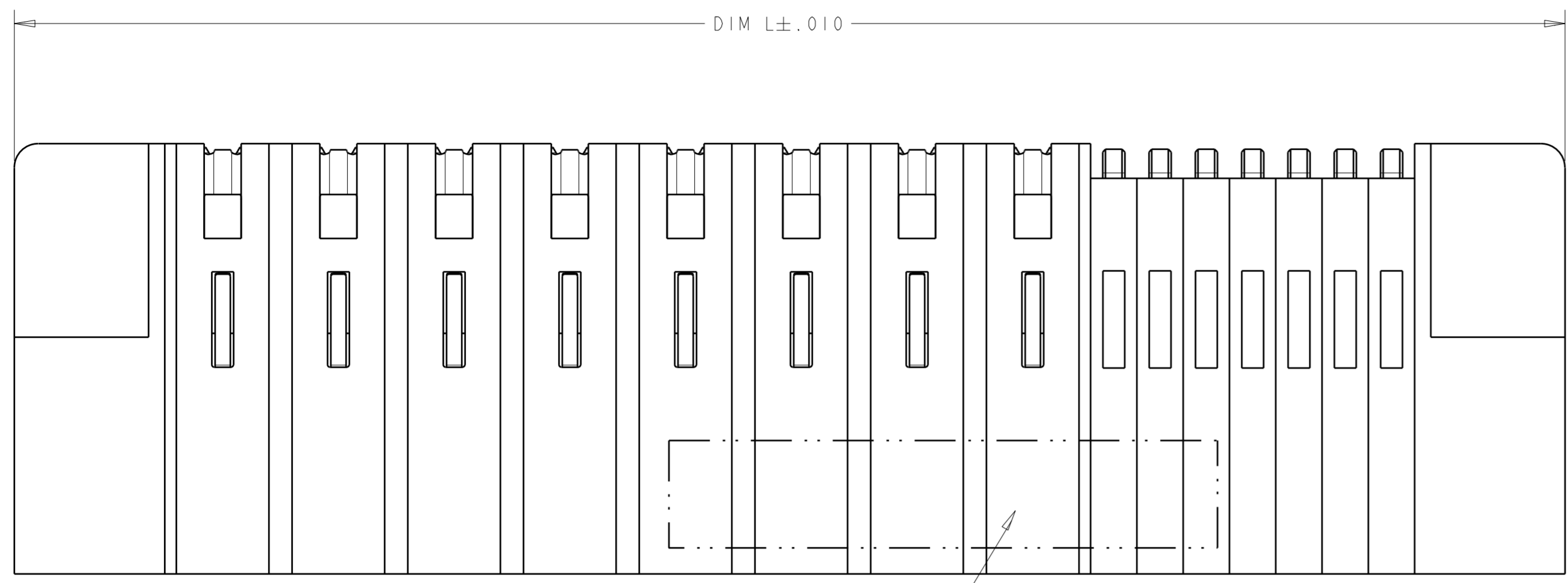
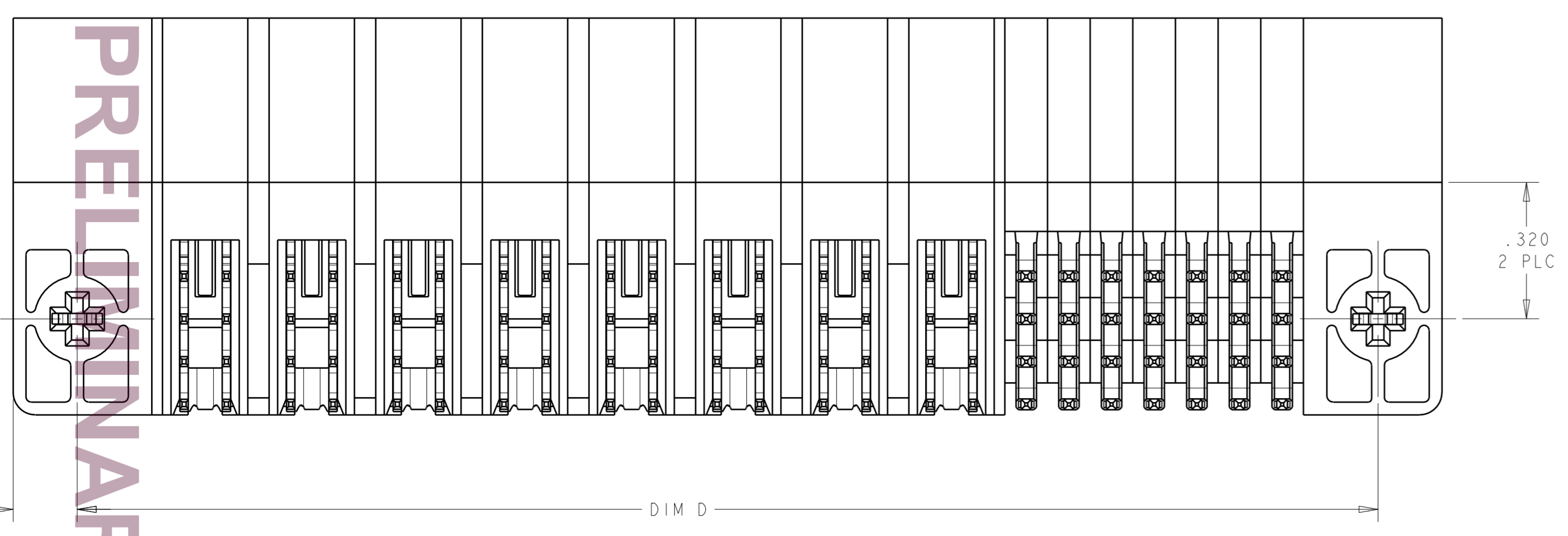
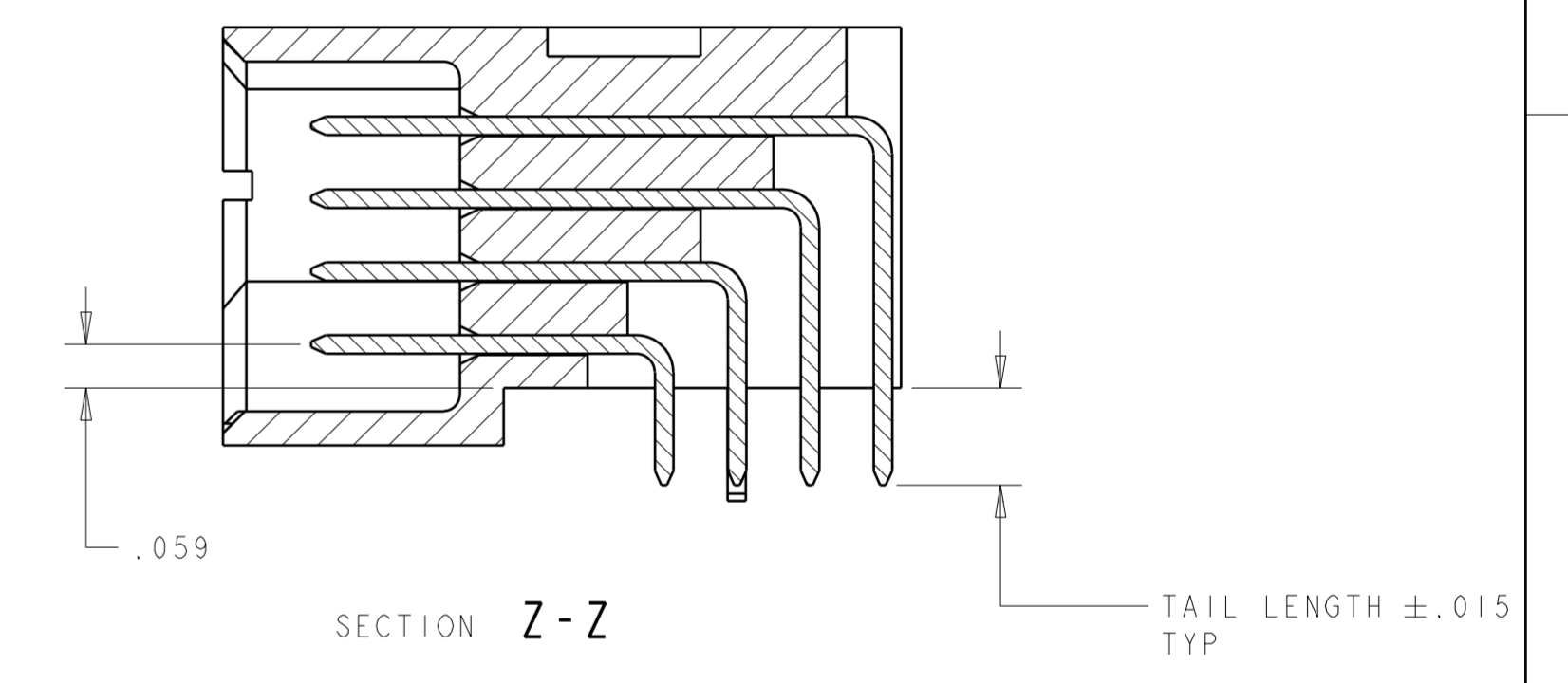
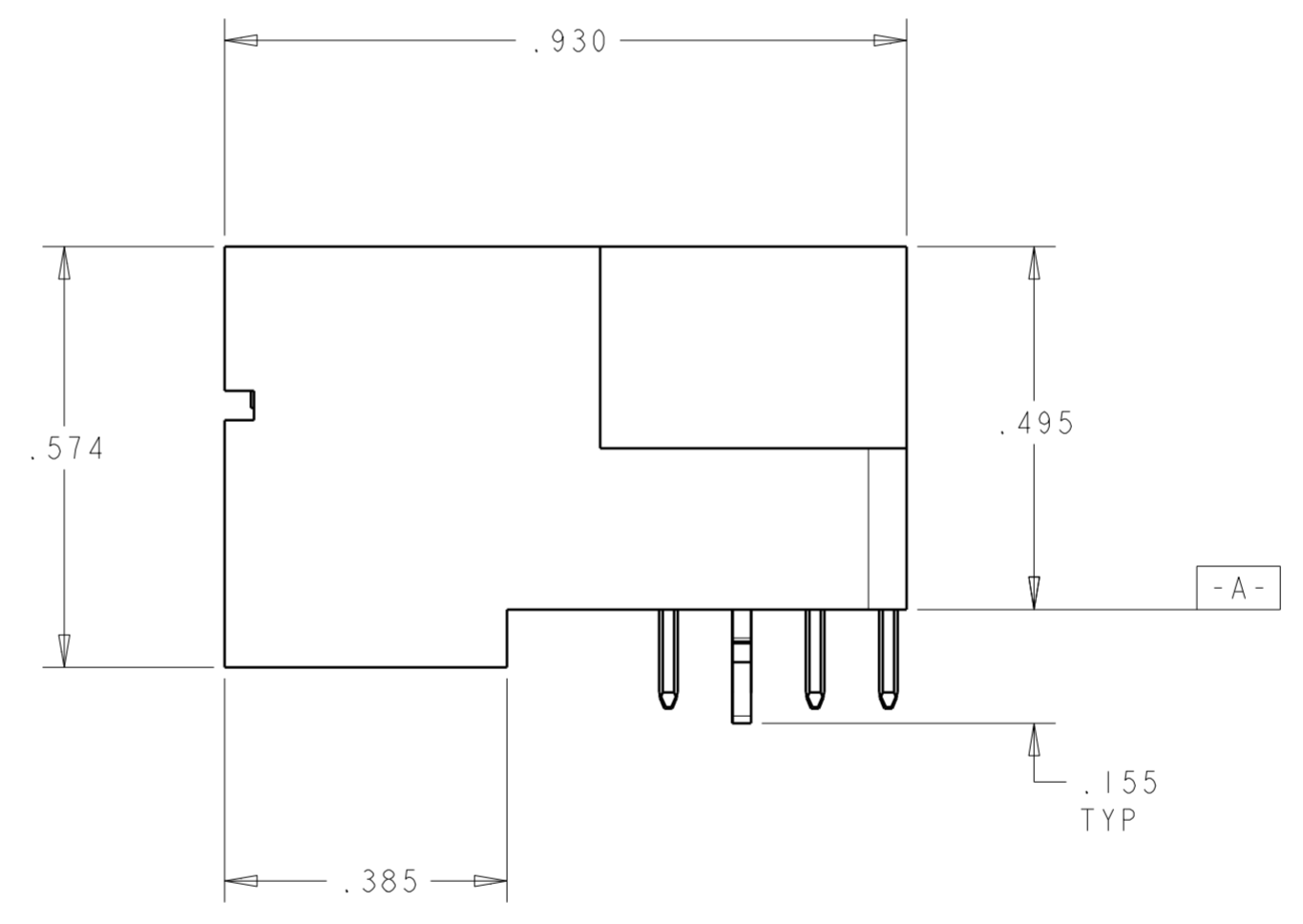
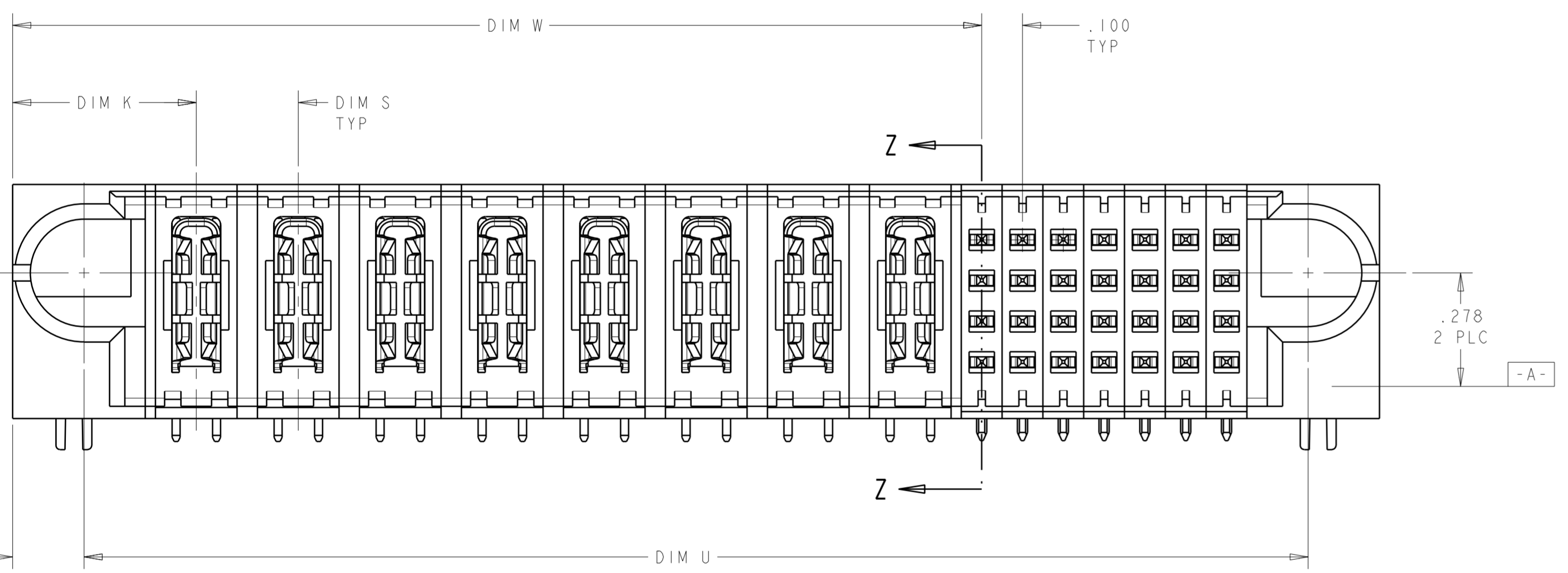


| LOC | DIST | REVISIONS           |           |     |      |
|-----|------|---------------------|-----------|-----|------|
| P   | LTR  | DESCRIPTION         | DATE      | DWN | APVD |
| A   |      | PRELIMINARY RELEASE | 17AUG2006 | CZ  | SY   |



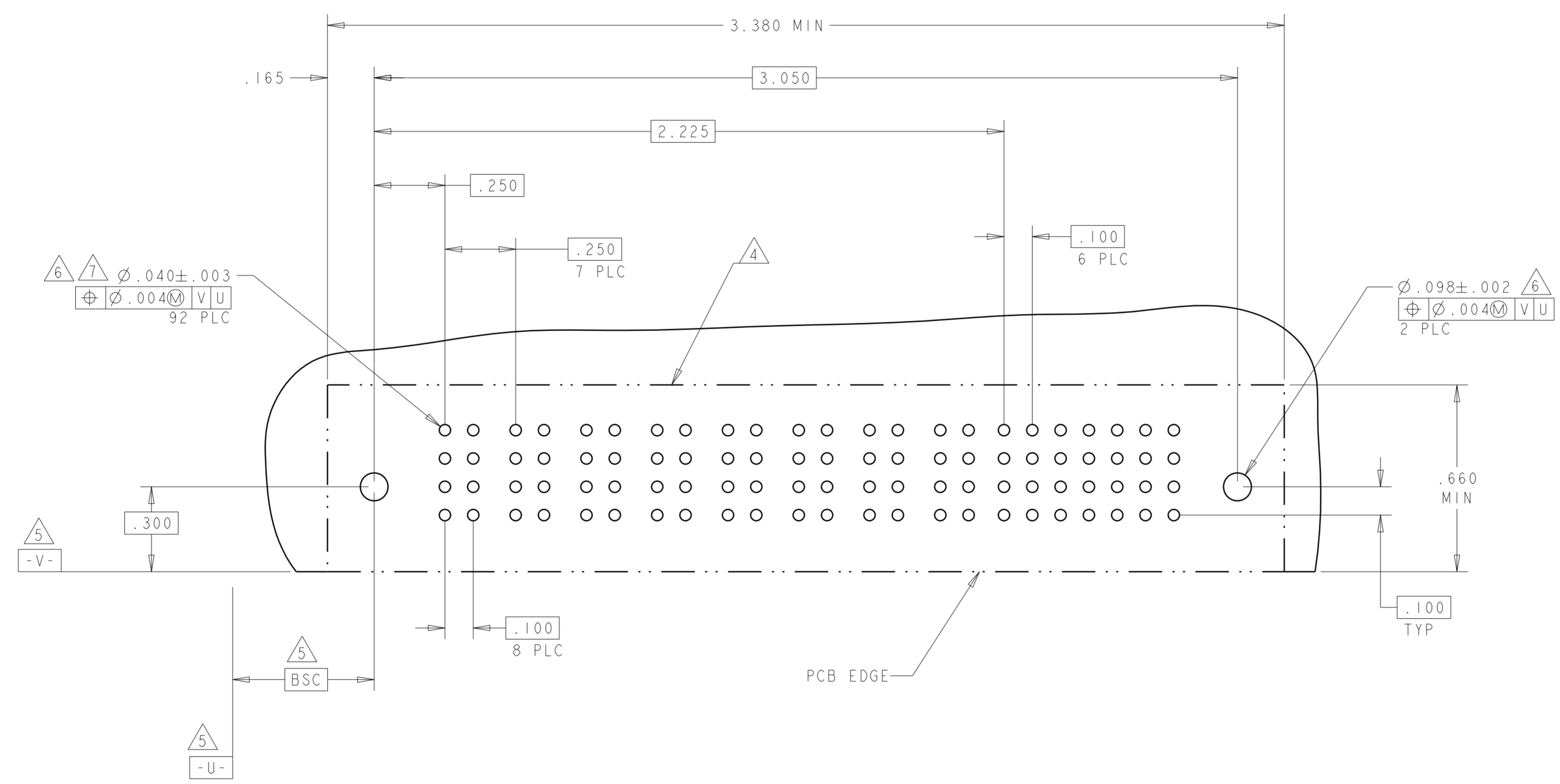
- 1 "AMP" TRADEMARK, PART NUMBER, AND DATE CODE TO BE MARKED IN AREA SHOWN.
- 2 MATERIAL:  
HOUSING - GLASS FILLED HIGH TEMP THERMO PLASTIC, UL94 V-0  
SIGNAL CONTACT - COPPER ALLOY  
POWER CONTACT - HIGH CONDUCTIVITY COPPER ALLOY
- 3 CONTACT PLATING:  
SIGNAL CONTACTS- .000050 MIN Ni UNDER ALL  
.000030 MIN Au ON CONTACT AREA  
.000100 MIN Sn AT PCB INTERFACE  
POWER CONTACTS- .000050 MIN Ni UNDER ALL  
.000030 MIN Au AT CONTACT AREA  
.000100 MIN Sn AT PCB INTERFACE
- 4 MECHANICAL CONNECTOR KEEP OUT ZONE
- 5 DATUM AND BASIC DIMENSIONS ESTABLISHED BY CUSTOMER
- 6 PCB - ALL HOLE DIAMETERS ARE FINISHED HOLE SIZES
- 7 PCB - .0453+/- .0010 DRILLED HOLES PLATED WITH .0003 MIN Sn OVER .001 TO .003 PLATING TO ACHIEVE A .040 DIA HOLE



|  |       |  |       |   |       |  |             |
|--|-------|--|-------|---|-------|--|-------------|
| 3.000  | .250  | 2.375  | 3.050 | .450  | 3.350 | 8P + 28S   | 1892202-1   |
| DIM U  | DIM S | DIM W  | DIM D | DIM K   | DIM L | DESCRIPTION  | PART NUMBER |
| <small>THIS DRAWING IS A CONTROLLED DOCUMENT FOR TYCO ELECTRONICS CORPORATION. IT IS SUBJECT TO CHANGE AND THE CONTROLLING AND REVISION INFORMATION SHOULD BE CONTACTED FOR THE LATEST REVISION.</small> |       |  |       |   |       |  |             |
| DIMENSIONS:<br>INCHES<br>  |       | TOLERANCES UNLESS OTHERWISE SPECIFIED:<br>0 PLC ±<br>1 PLC ±.01<br>2 PLC ±.005<br>3 PLC ±.0020<br>ANGLES ±.2 |       | DWN<br>CECILY ZHOU<br>17AUG2006<br>CHK<br>S. ZHAO<br>17AUG2006<br>APVD<br>S. YAO<br>17AUG2006 |       | NAME<br>TycO Electronics incorporated<br>Shanghai, P.R.China, 200233<br>PRODUCT SPEC<br>108-1973<br>APPLICATION SPEC<br>114-13038<br>WEIGHT<br>- |             |
| MATERIAL   |       | FINISH   |       | SIZE  |       | RESTRICTED TO  |             |
| 2  |       | 3  |       | A   00779   C=1892202   |       | -  |             |
| CUSTOMER DRAWING   |       |  |       | SCALE   |       | SHEET  |             |
|  |       |  |       | 4:1   |       | 1 OF 2 REV A   |             |

| LOC | DIST | REVISIONS |      |    |      |
|-----|------|-----------|------|----|------|
| ES  | 00   | REV       | DATE | BY | APPV |
|     |      | 1         |      |    |      |
|     |      | 2         |      |    |      |
|     |      | 3         |      |    |      |
|     |      | 4         |      |    |      |
|     |      | 5         |      |    |      |
|     |      | 6         |      |    |      |
|     |      | 7         |      |    |      |
|     |      | 8         |      |    |      |
|     |      | 9         |      |    |      |
|     |      | 10        |      |    |      |

| PART NUMBER | ROWS             | POWER |    |    |    |    |    |    |    | SIGNAL |   |   |   |   |   |   |
|-------------|------------------|-------|----|----|----|----|----|----|----|--------|---|---|---|---|---|---|
|             |                  | P1    | P2 | P3 | P4 | P5 | P6 | P7 | P8 | 1      | 2 | 3 | 4 | 5 | 6 | 7 |
| 1892202-1   | D<br>C<br>B<br>A | TM    | TM | TM | TM | TM | TM | TM | TM | E      | E | E | E | E | E | E |
|             |                  | TM    | TM | TM | TM | TM | TM | TM | TM | F      | F | F | F | F | F | F |
|             |                  | TM    | TM | TM | TM | TM | TM | TM | TM | G      | G | G | G | G | G | G |
|             |                  | TM    | TM | TM | TM | TM | TM | TM | TM | S      | S | S | S | H | H | H |
| 8P + 28S    |                  |       |    |    |    |    |    |    |    |        |   |   |   |   |   |   |



|               |             |
|---------------|-------------|
| TM            | .135        |
| CODE          | TAIL LENGTH |
| POWER CONTACT |             |

| CODE           | MATING SEQUENCE | TAIL LENGTH | ROW |
|----------------|-----------------|-------------|-----|
| E              | MLBF            | .135        | D   |
| F              | MLBF            | .135        | C   |
| G              | MLBF            | .135        | B   |
| H              | MLBF            | .135        | A   |
| J              | STD             | .135        | D   |
| K              | STD             | .135        | C   |
| N              | STD             | .135        | B   |
| S              | STD             | .135        | A   |
| CODE           | MATING SEQUENCE | TAIL LENGTH | ROW |
| SIGNAL CONTACT |                 |             |     |

|  |  |   |   |   |   |   |   |
|--|--|---|---|---|---|---|---|
| <small>THIS DRAWING IS A CONTROLLED DOCUMENT FOR TYCO ELECTRONICS CORPORATION. IT IS SUBJECT TO CHANGE AND THE CONTROLLING ENGINEERING DEPARTMENT SHOULD BE CONTACTED FOR THE LATEST REVISION.</small> |  | DWN: 17AUG2006<br>CECILY.ZHOU<br>CHK: 17AUG2006<br>S.ZHAO | NAME: S. YAO<br>PRODUCT SPEC: 108-1973<br>APPLICATION SPEC: 114-13038<br>WEIGHT: -<br>FINISH: - | Tyco Electronics incorporated<br>Shanghai, P.R.China.200233<br>Tyco<br><b>Electronics</b> | RIGHT ANGLE HEADER ASSEMBLY W/GUIDES<br>MULTI-BEAM XL | SIZE: A1<br>CASE CODE: 00779<br>DRAWING NO: C-1892202 | RESTRICTED TO: -<br>SCALE: 3:1<br>SHEET: 2 OF 2<br>REV: A |
| DIMENSIONS: INCHES<br>0 PLC ±<br>1 PLC ±<br>2 PLC ±.01<br>3 PLC ±.005<br>4 PLC ±.0020<br>ANGLES #2   |  | TO TOLERANCE UNLESS OTHERWISE SPECIFIED:                  |   | CUSTOMER DRAWING  |   |   |   |