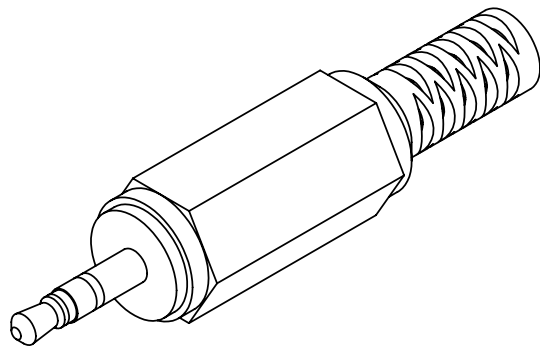
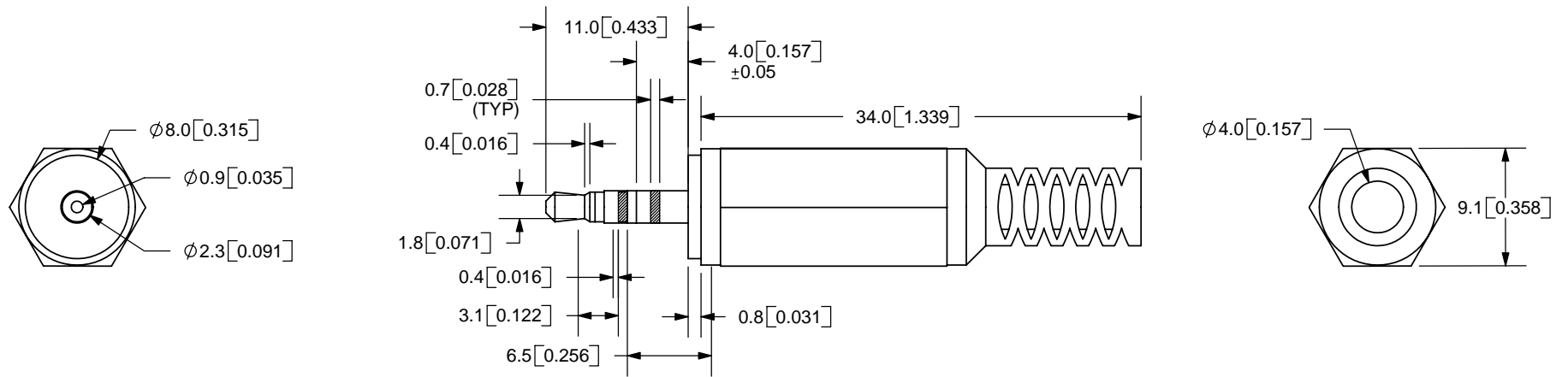


|      |             |            |
|------|-------------|------------|
| REV. | DESCRIPTION | DATE       |
| A    | NEW DRAWING | 12/19/2005 |



TOLERANCE:  
X.X  $\pm 0.2$ mm  
X.XX  $\pm 0.1$ mm  
X.XXX  $\pm 0.05$ mm



9615 SW Allen Blvd., Ste. 103  
Beaverton, OR 97005  
Phone: 503-643-4899  
800-275-4899  
Fax: 503-372-1266  
Website: www.cui.com

|                | MATERIAL | PLATING |
|----------------|----------|---------|
| TIP            | Brass    | Nickel  |
| RING           | Brass    | Nickel  |
| SLEEVE         | Brass    | Nickel  |
| INSULATOR      | P.P.     |         |
| EARTH TERMINAL | Brass    | Nickel  |
| BODY           | PVC      |         |

|           |                   |              |             |
|-----------|-------------------|--------------|-------------|
| TITLE:    | 2.5mm STEREO PLUG | REV:         | A           |
| PART NO.  | SP-2501           | UNITS:       | MM [INCHES] |
| DRAWN BY: | ZRJ               | APPROVED BY: |             |
|           |                   | SCALE:       | 2:1         |

PC FILE NAME:  
SP-2501

COPYRIGHT 2005 BY CUI INC.