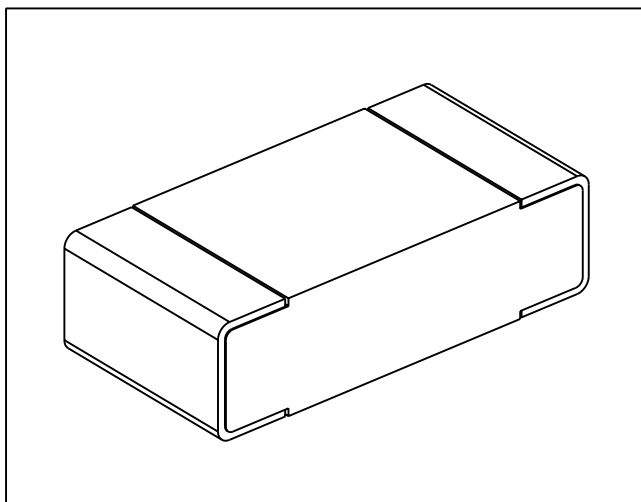
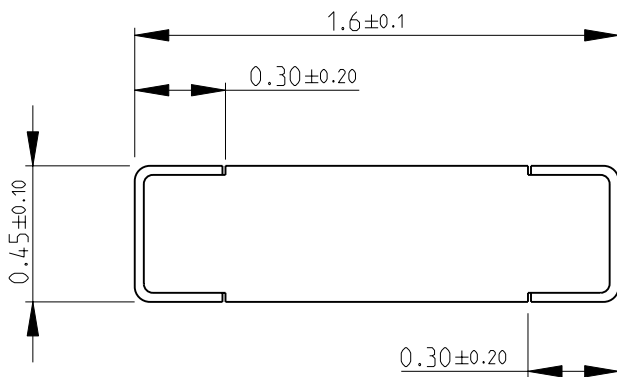
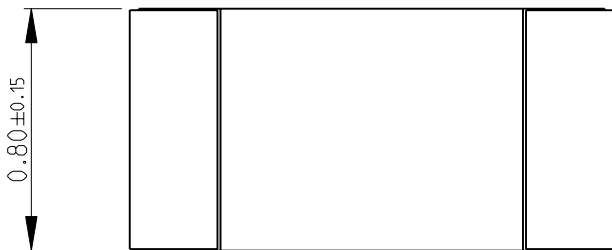


LOC	DIST	REVISIONS					
E	B	P	LTR	DESCRIPTION	DATE	DWN	APVD
			BA	NEW RELEASE	03-NOV-08	SM	St.P

FOR FURTHER INFORMATION SEE DATA SHEET FOR  
CRG SERIES-THICK FILM CHIP RESISTORS



RoHS Compliant

2008

RELEASED FOR PUBLICATION

BY TYCO ELECTRONICS CORPORATION. ALL RIGHTS RESERVED.

THIS DRAWING IS UNPUBLISHED.

© COPYRIGHT 2008

DIMENSIONS: mm	DWN	03-NOV-08	MATERIAL	-	FINISH	-		
	SUBHASH.M							
TOLERANCES UNLESS OTHERWISE SPECIFIED:	CHK	03-NOV-08	Tyco Electronics Corporation Dorcan, Swindon, SN3 5HH					
	PRAKASH.S							
0 PLC ±0.5	APVD	03-NOV-08	NAME THICK FILM CHIP RESISTORS SERIES CRG 0603					
1 PLC ±0.2	STEPHEN.P							
2 PLC ±0.1	PRODUCT SPEC	-	SIZE	CAGE CODE	DRAWING NO	RESTRICTED TO		
3 PLC ±-	APPLICATION SPEC	-	A 4	00779	©- 1622876	-		
4 PLC ±-								
ANGLES ±5°	WEIGHT	-						
	CUSTOMER DRAWING		SCALE	40:1	SHEET	1 OF 1	REV	BA