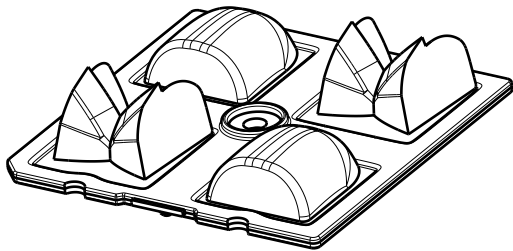


D

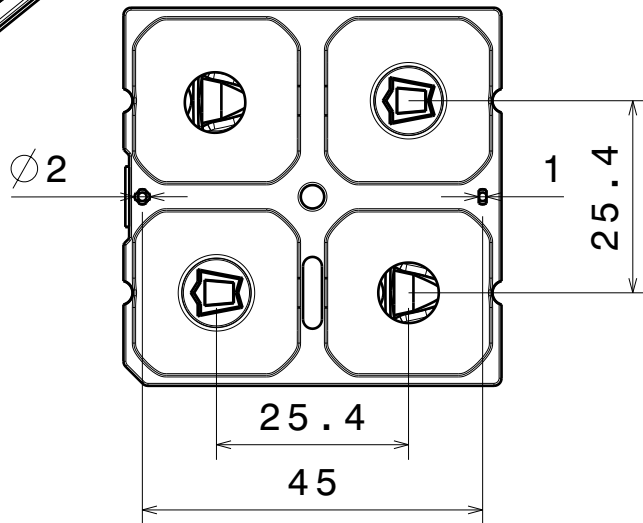
C

B

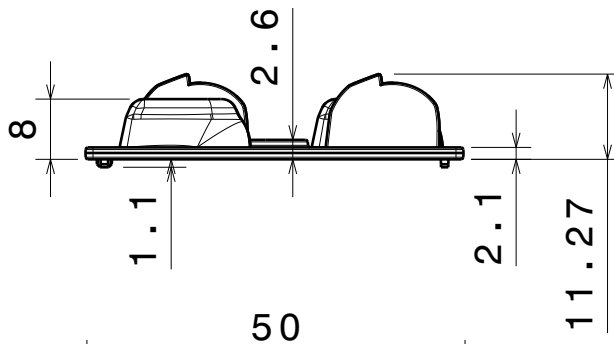
A



Isometric view

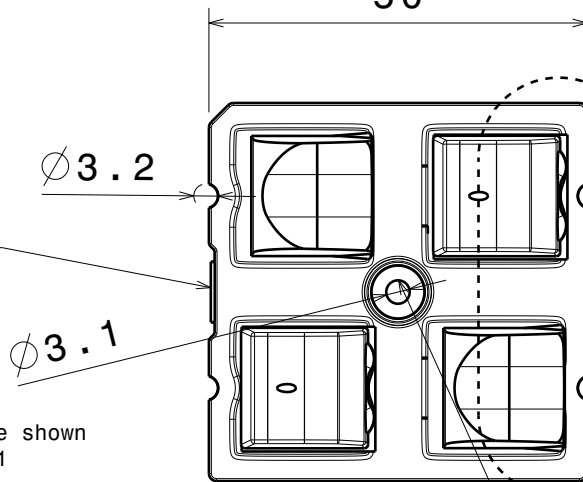


Bottom view



Front view

Injection gate



Top view

Beam direction (street side)

Screw hole

Tolerances if not otherwise shown
 According to DIN ISO 2768-1
 Linear measures:
 Up to 30mm class M, otherwise class C.
 According to DIN ISO 2768-2
 Form and position: class L

Material: PMMA

This drawing is our property.
 It can't be reproduced
 or communicated without
 our written agreement.



Ledil Oy
 Salorankatu 10
 FIN-24100 SALO
 Finland

DRAWING TITLE

Datasheet Strada-2x2-DNW

DRAWN BY
ah/mav

DATE
10.9.2012

CHECKED BY
ol

DATE
10.9.2012

SIZE
A4

DRAWING NUMBER
C12360

REV
4

DESIGNED BY
ol

DATE
18.10.2011

SCALE 1:1 WEIGHT (g)

SHEET 1/1

D

A

4

4

3

3

2

2

1

1