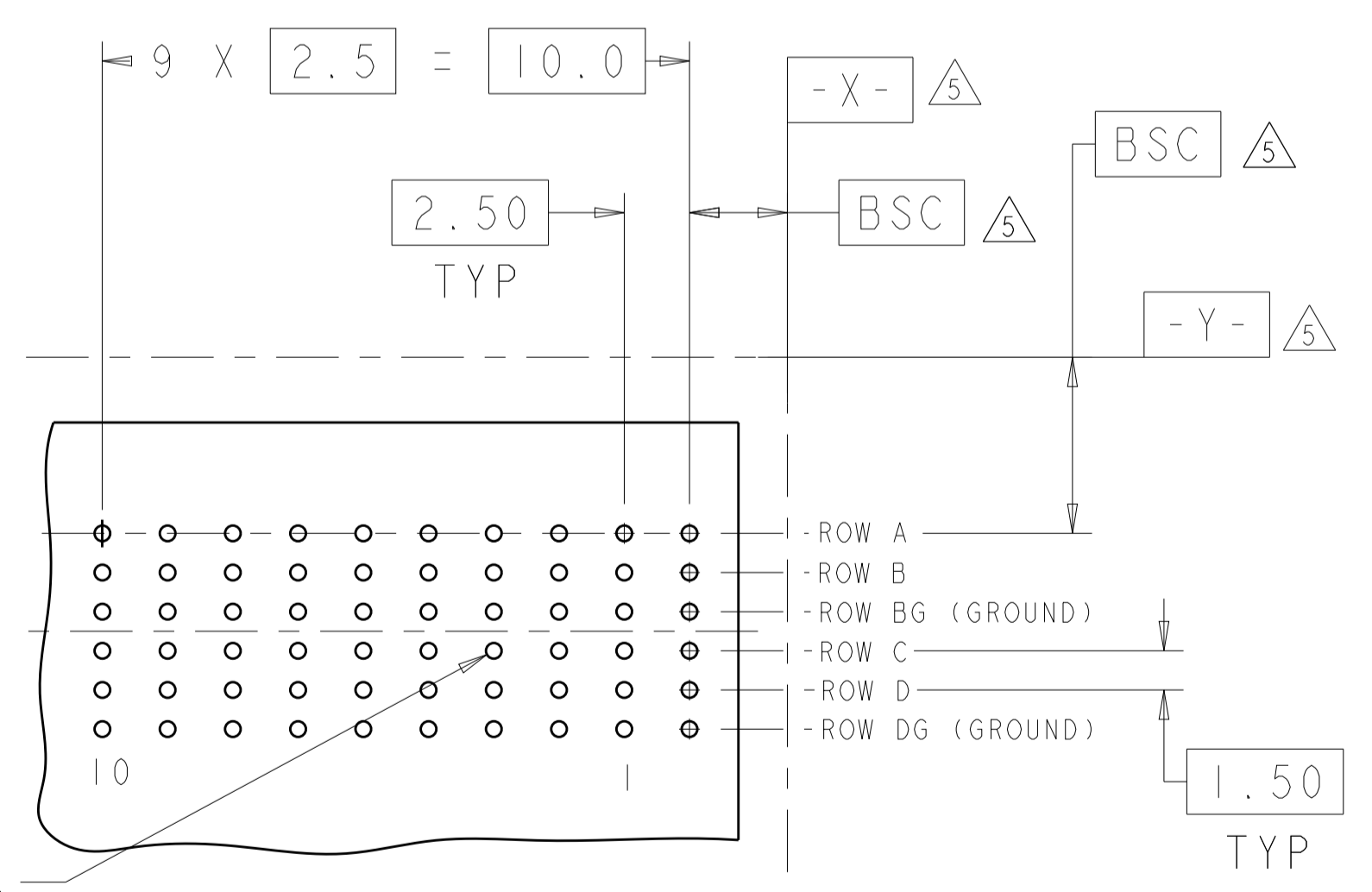
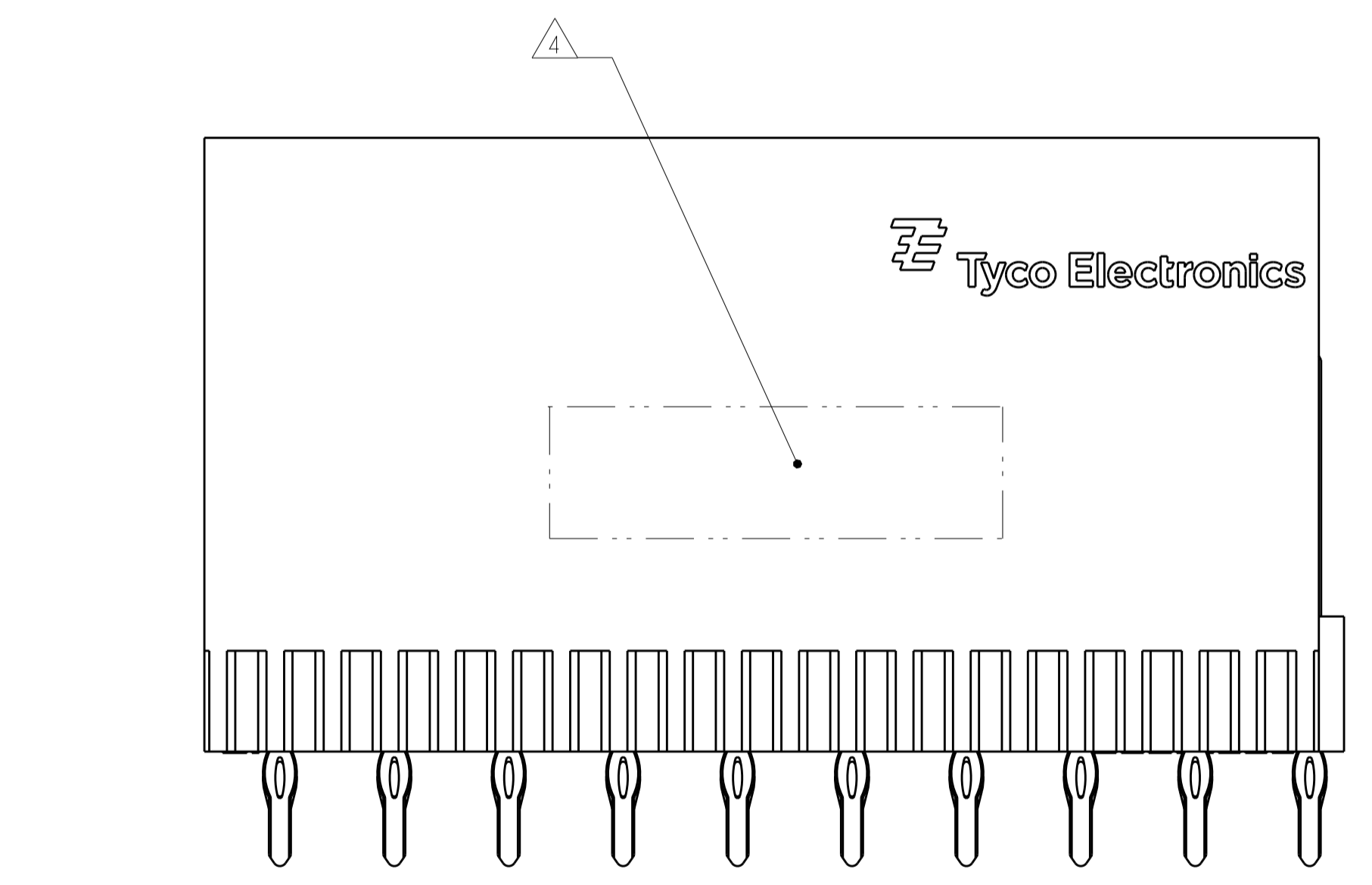
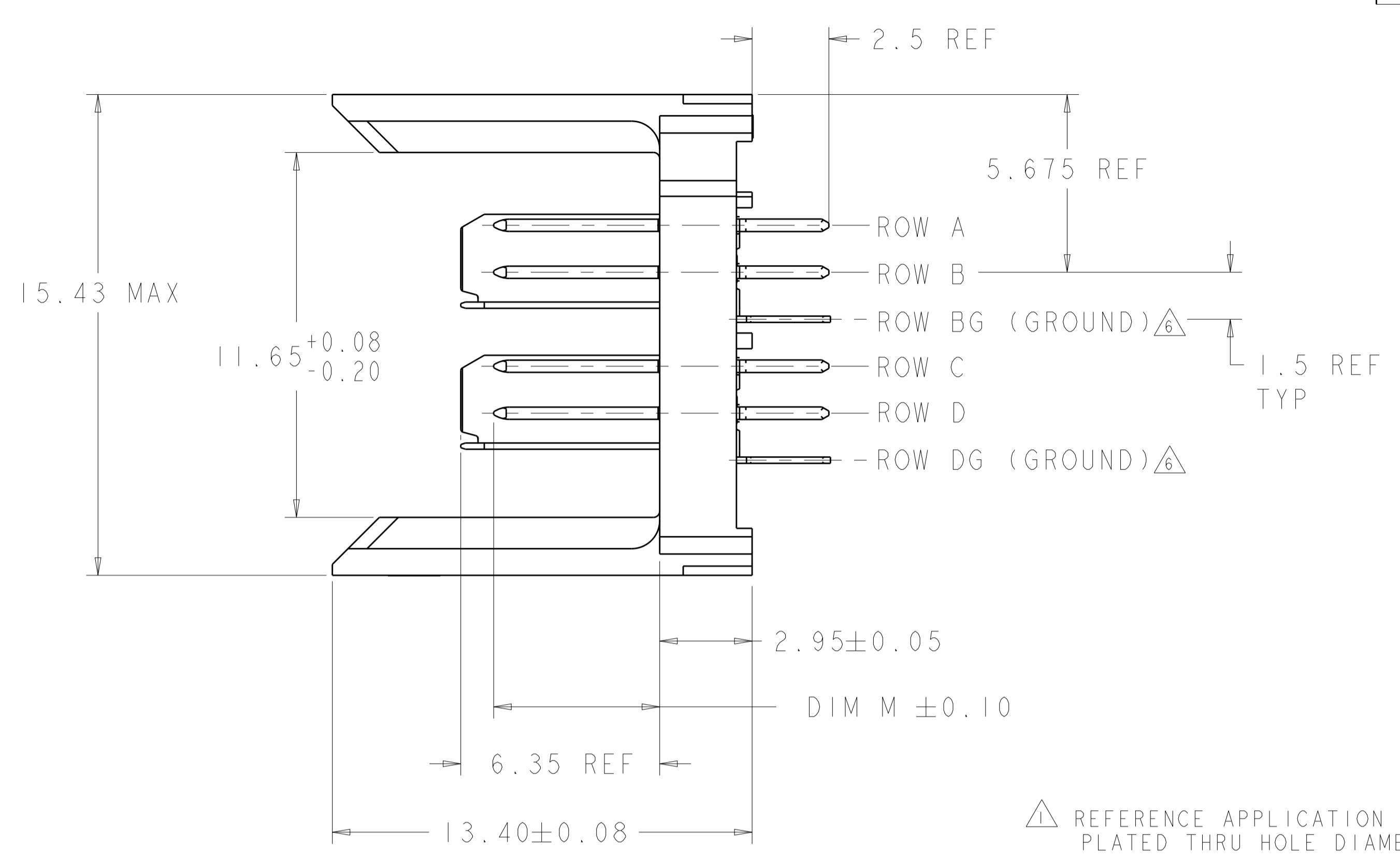
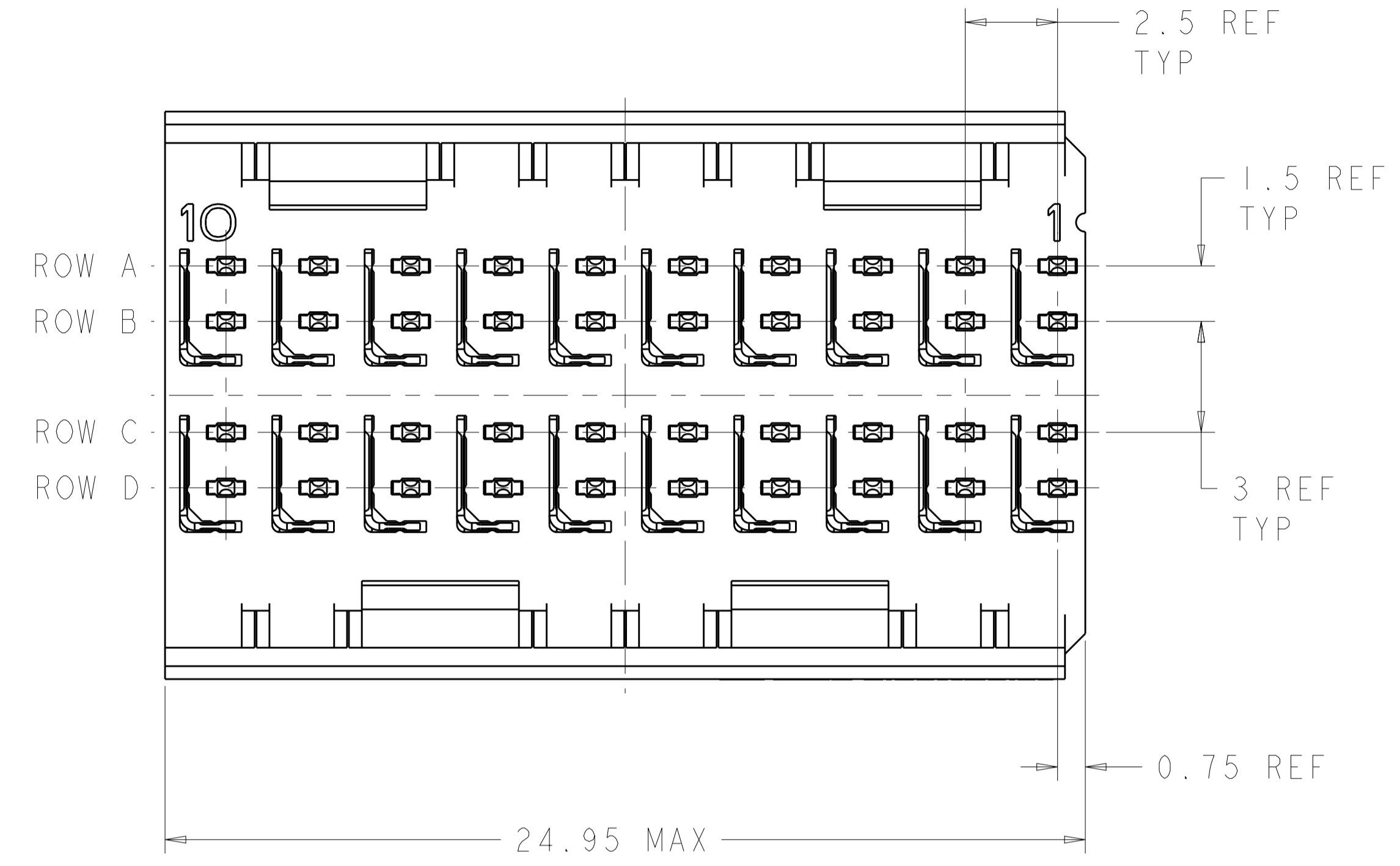


LOC		DIST		REVISIONS			
AD	00	P	LTN	DESCRIPTION	DATE	DWN	APVD
		E1		REVISED PER ECO-13-003342	04MAR2013	KH	MH



⊕ ∅0.05Ⓢ X Y
 ALL PLATED THRU HOLES
 RECOMMENDED PC BOARD LAYOUT, BACKPLANE, COMPONENT SIDE SHOWN SCALE 4:1

- △ REFERENCE APPLICATION SPEC 114-13059 FOR RECOMMENDED PLATED THRU HOLE DIAMETER AND PLATING THICKNESSES.
- △ MATERIAL:
 CONTACT AND SHIELD - PHOSPHOR BRONZE
 HOUSING - GLASS FILLED POLYESTER, UL 94V-0.
- △ FINISH: SIGNAL AND GROUND CONTACTS:
 MATING AREA: MEETS THE PERFORMANCE REQUIREMENTS OF PRODUCT SPECIFICATION 108-2055; BASED ON TELCORDIA GR-1217-CORE, APPLICATIONS IN UNCONTROLLED ENVIRONMENTS
 COMPLIANT PIN AREA: 0.5µm MIN BRIGHT TIN-LEAD OVER BASE PLATING
- △ CONNECTOR MARKED WITH PART NUMBER AND DATE CODE.
- △ DATUMS AND BASIC DIMENSIONS ESTABLISHED BY CUSTOMER.
- △ THE TWO GROUNDS IN EACH COLUMN ARE COMMONED.
- 7. CONTACT AREA LUBRICATED WITH BELLCORE APPROVED LUBRICANT. TECHNICAL REFERENCE: GR-1217-CORE, ISSUE 1, NOVEMBER 1995.

SUPERSEDED BY	DATE	DESCRIPTION
6469025-2	3.80	1469025-2
	5.30	1469025-1
		DIM M PART NUMBER

THIS DRAWING IS A CONTROLLED DOCUMENT.		DWN	11OCT2000	TE Connectivity	
DIMENSIONS:		CHK	R.S.KLINE	NAME	
mm		CHK	R.PATTERSON	PRODUCT SPEC	
TOLERANCES UNLESS OTHERWISE SPECIFIED:		APVD	N.SCHROLL	APPLICATION SPEC	
0 PLC	±	SIZE	CAGE CODE	DRAWING NO	RESTRICTED TO
1 PLC	±	WEIGHT			
2 PLC	±	Customer Drawing			
3 PLC	±				
4 PLC	±				
ANGLES	±				
FINISH	±				