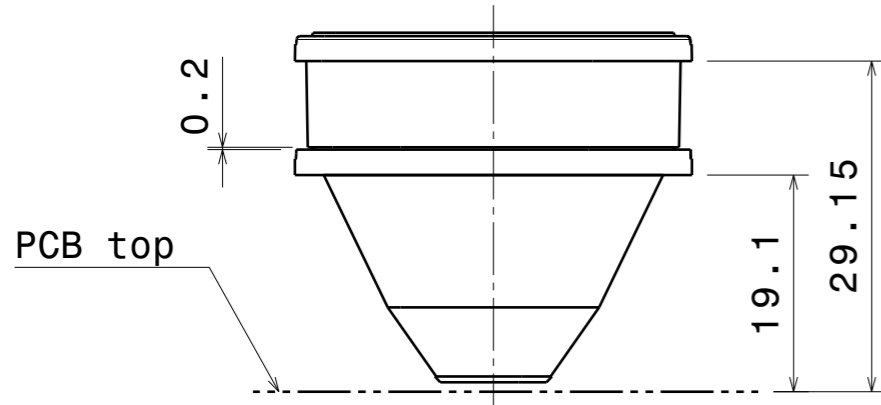


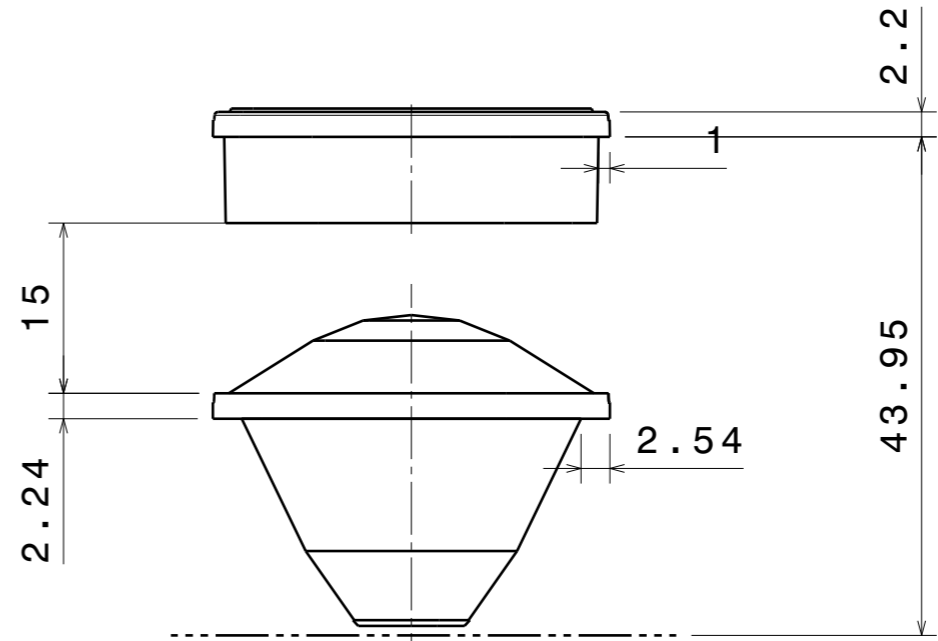
H G F E D C B A

4

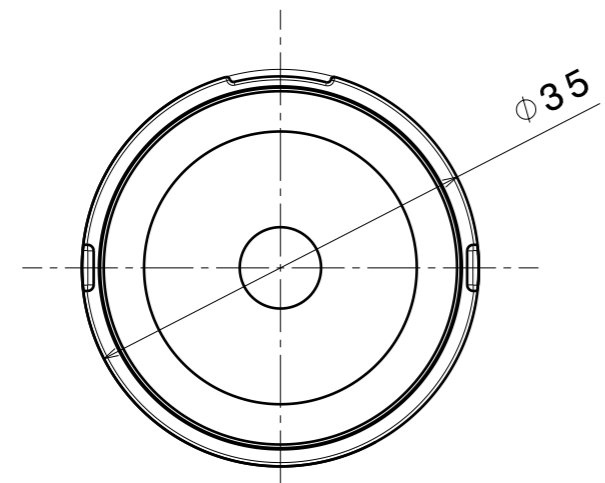
4



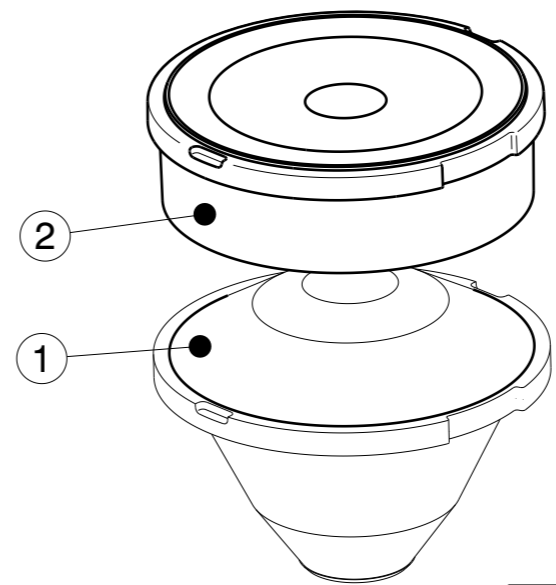
Lenses in Narrow Beam
Typical position



Lenses in Wide Beam
Typical position



Top view



Isometric view

INDEX	PART NO	DESCRIPTION	MATERIAL	COLOUR
1	F13828	ZOWIE-LENS1	PMMA	Clear
2	F13829	ZOWIE-LENS2	PMMA	Clear

Tolerances if not otherwise shown
According to DIN ISO 2768-1
Linear measures:
Up to 30mm class M, otherwise class C
According to DIN ISO 2768-2
Form and position: class L

LEDiL LediL Oy
Salorankatu 10
FIN 24240 SALO
Finland

THIRD ANGLE PROJECTION:

DRAWING TITLE
FN13830_ZOWIE-MIDI-RZ

This drawing is the property
of LEDiL Oy. It may not be
reproduced, copied or
communicated without a written
agreement with LEDiL Oy.

SIZE PART NUMBER
A3 FN13830

SCALE 3:2 WEIGHT 16,93 g SHEET 1/1

1

1

H G B A