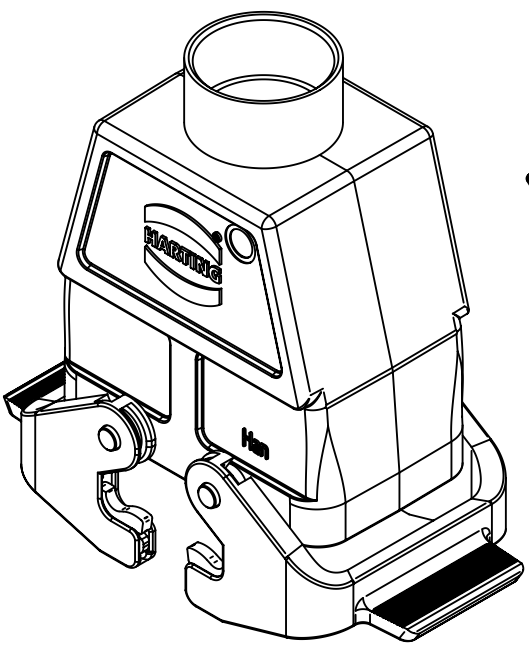
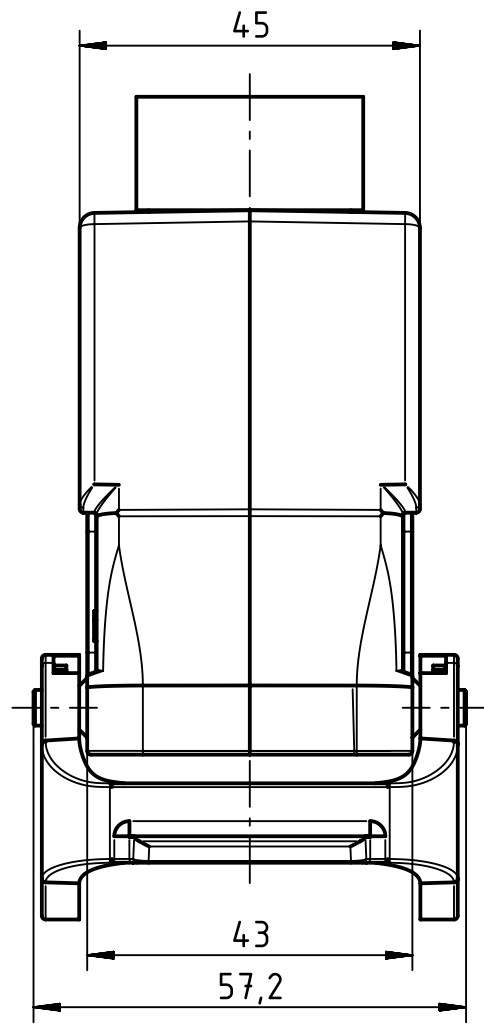
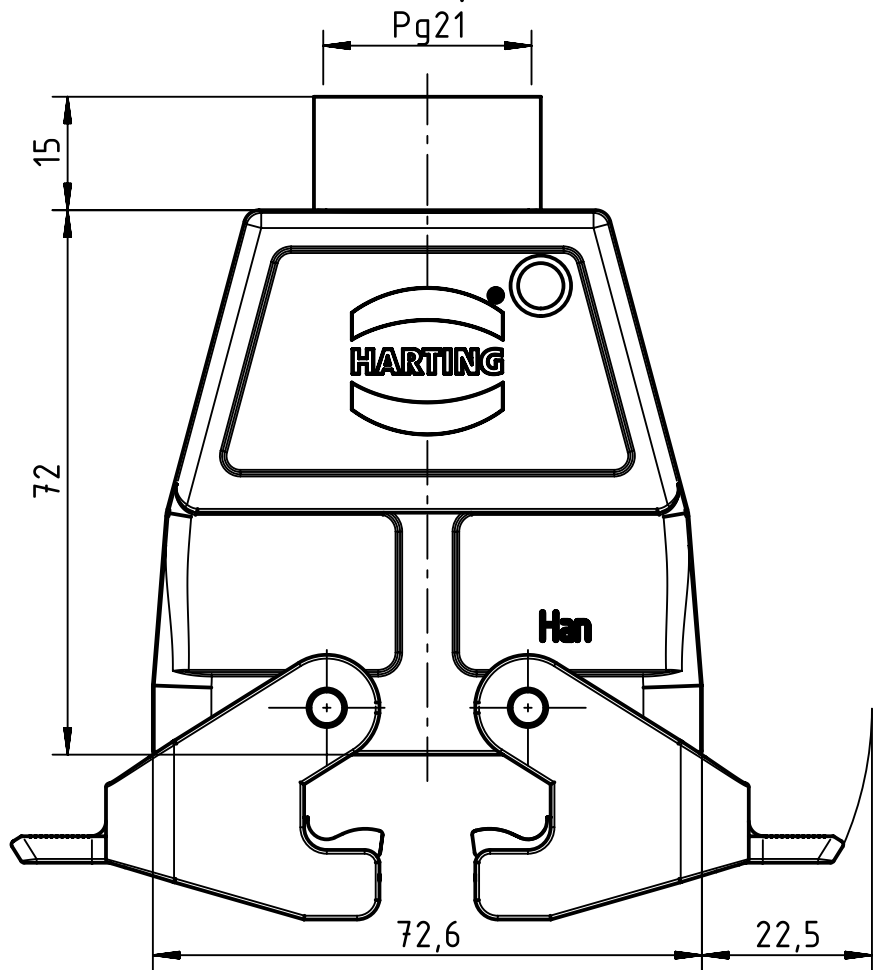



1 2 3 4 5 6

A
B
C
D



	All Dimensions in mm Original Size DIN A4		Scale 1:1		Free size tol.		Ref. Sub. TB 09 30 010 0432 v. 27.11.00			
	All rights reserved Department EL PD - DE		Created by SCHULZI		Inspected by BERGHORN		Standardisation TIEMANNA			
HARTING Electric GmbH & Co. KG D-32339 Espelkamp		Title Han B Hood Top Entry HC 2 Levers PG 21					Date 2014-07-21		State Final Release	
		Type TB					Number 09 30 010 0432		Doc-Key / ECM-Nr. 100230684 / UGD / 002 / B 500000061817	
							Rev. B		Page 1/1	