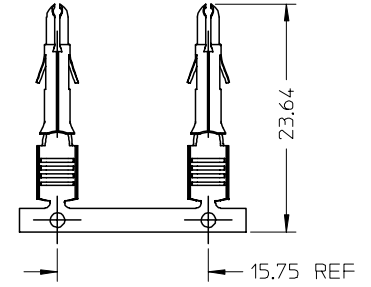
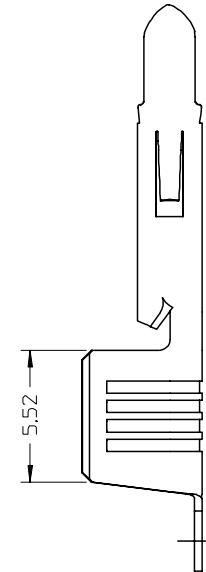
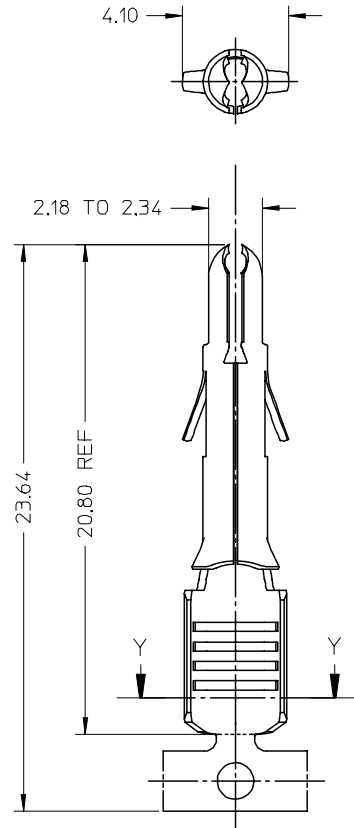
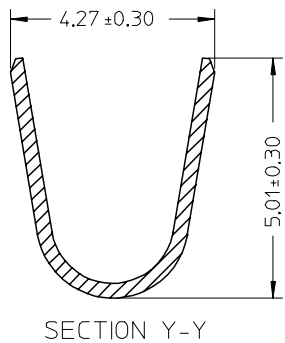


36663

MATERIAL No.	FINISH	WIRE SIZE	INSULATION DIA	PACKAGING
36663-0001	SEE NOTE 2	10-12AWG	5.08 MAX	REEL
36663-0002	SEE NOTE 2	10-12AWG	5.08 MAX	LOOSE

- NOTES:
- MATERIAL : BRASS
 - FINISH : HOT TIN DIP, THICKNESS 0.51 MICROMETER MIN
 - PIN TERMINALS FOR USE WITH THE .084/(2.13) SERIES HOUSINGS.
 PLUG (42021-**)
 CAP (42022-**)
 PIN TERMINAL TO MATE WITH SOCKET TERMINALS OF .084/(2.13) DIA SERIES
 - CRIMP RANGE SEE CHART
 - PRODUCT SPECIFICATION : PS-36663-001 APPLIES



TERMINALS IN CHAIN FORM
SCALE 1:1

EC NO: 12005-0004 DRWN: SSUDHIR 2004/07/07 CHKD: DGDATHA 2004/07/07 APPR: DGDATHA 2004/07/08	QUALITY SYMBOLS ▽ = 0 ◁ = 0	GENERAL TOLERANCES (UNLESS SPECIFIED)		SCALE 5:1	DESIGN UNITS METRIC	THIRD ANGLE PROJECTION	REVISE ON CAD ONLY
		4 PLACES ± --- ± --- 3 PLACES ± --- ± --- 2 PLACES ± 0.25 ± --- 1 PLACE ± 0.38 ± ---	DIMENSION STYLE MM ONLY	TITLE STAMP PART BRASS TERMINAL SPLIT PIN MLX 10-12AWG 5.08 INS DIA			
		ANGULAR ± 2 ° DRAFT WHERE APPLICABLE MUST REMAIN WITHIN DIMENSIONS	DRAWN BY DATE SSUDHIR 2004/07/01 CHECKED BY DATE DGDATHA 2004/07/01 APPROVED BY DATE DGDATHA 2004/07/01	MATERIAL NO. SEE CHART	DOCUMENT NO. SD-36663-001	SHEET NO. 1 OF 1	
		THIS DRAWING CONTAINS INFORMATION THAT IS PROPRIETARY TO MOLEX INCORPORATED AND SHOULD NOT BE USED WITHOUT WRITTEN PERMISSION					B