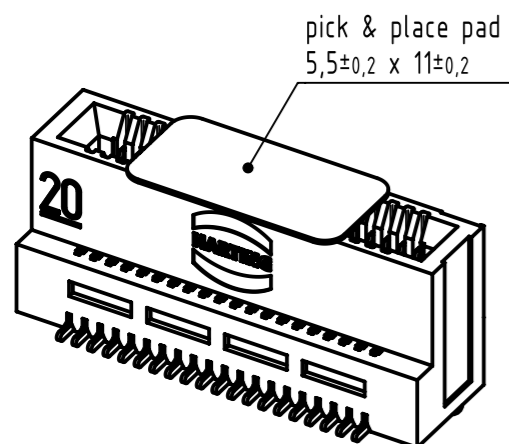
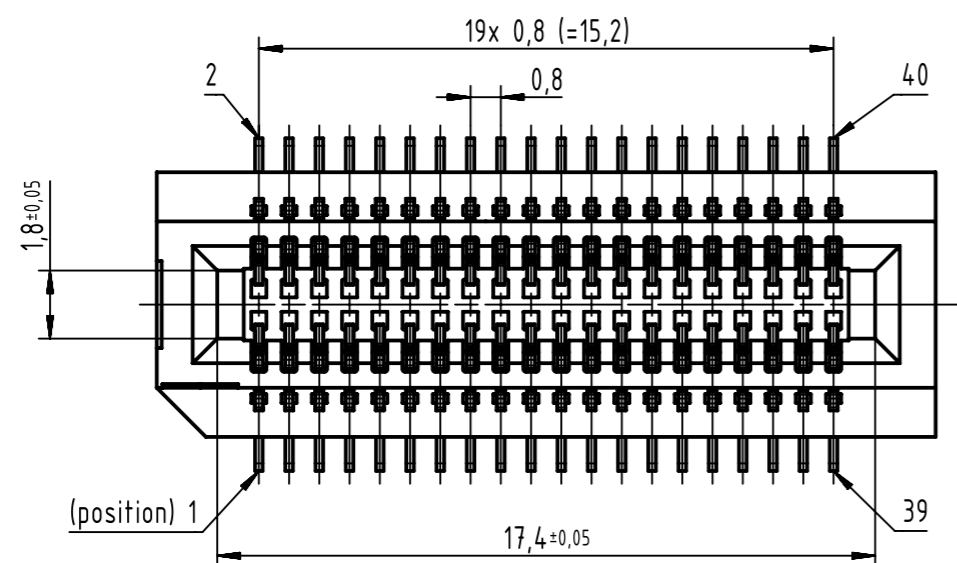
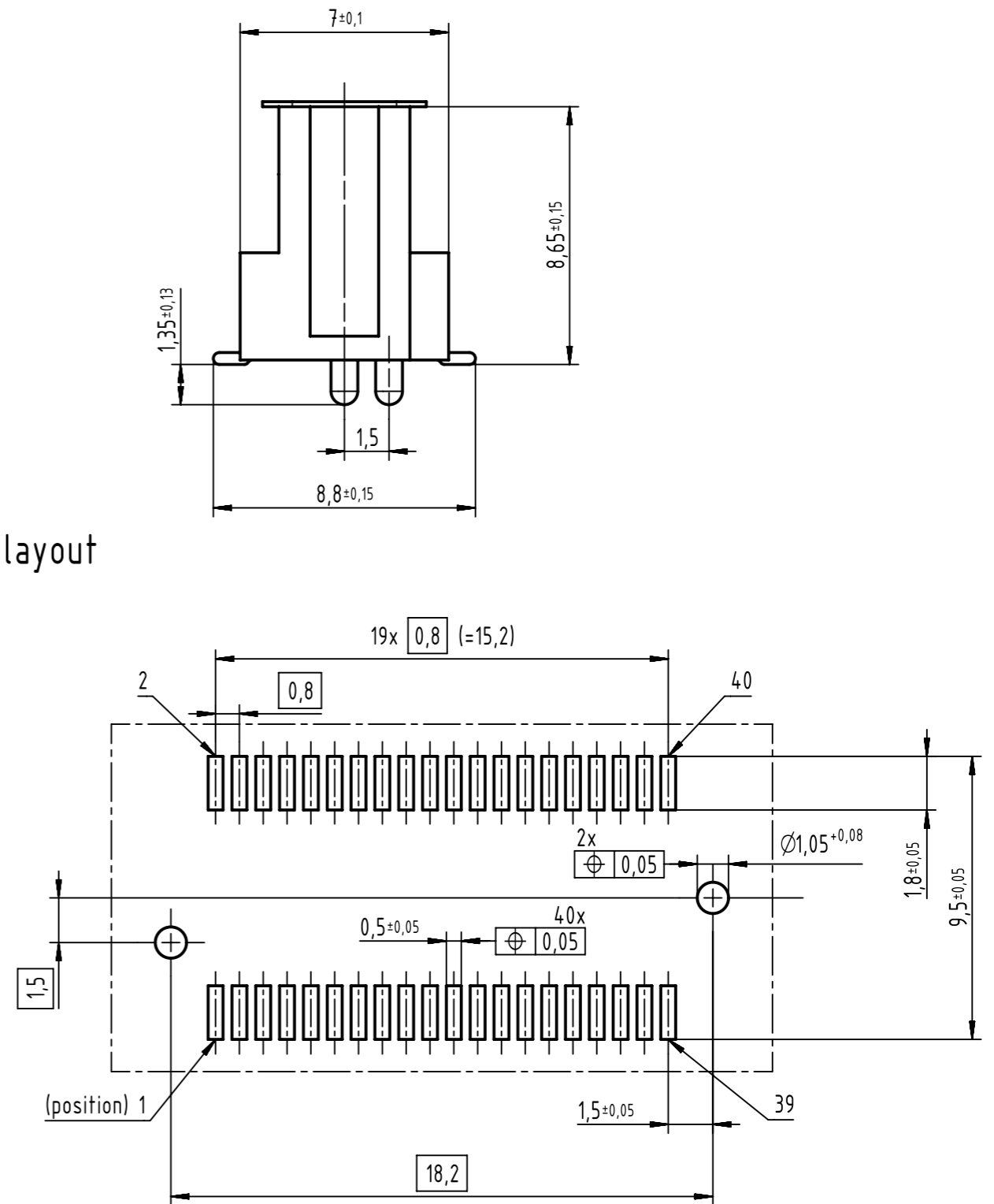


View without pick & place pad



Board layout



further information see DS 15002100301

	All rights reserved Department EC PD - DE	Created by TADJE	Inspected by ELLERMANN	Standardisation HOFFMANN	Date 2013-08-12	State Final Release	Ref. Sub. TB 15 02 040 4601 040, -042, -090
	HARTING Electronics GmbH D-32339 Espelkamp	Title Micro Card Edge connector 40 poles			Doc-Key / ECM-Nr. 100191026/UGD/010/A 50000065186		Rev. A
		Type TB	Number 15010404601XXX		Page 1/1		