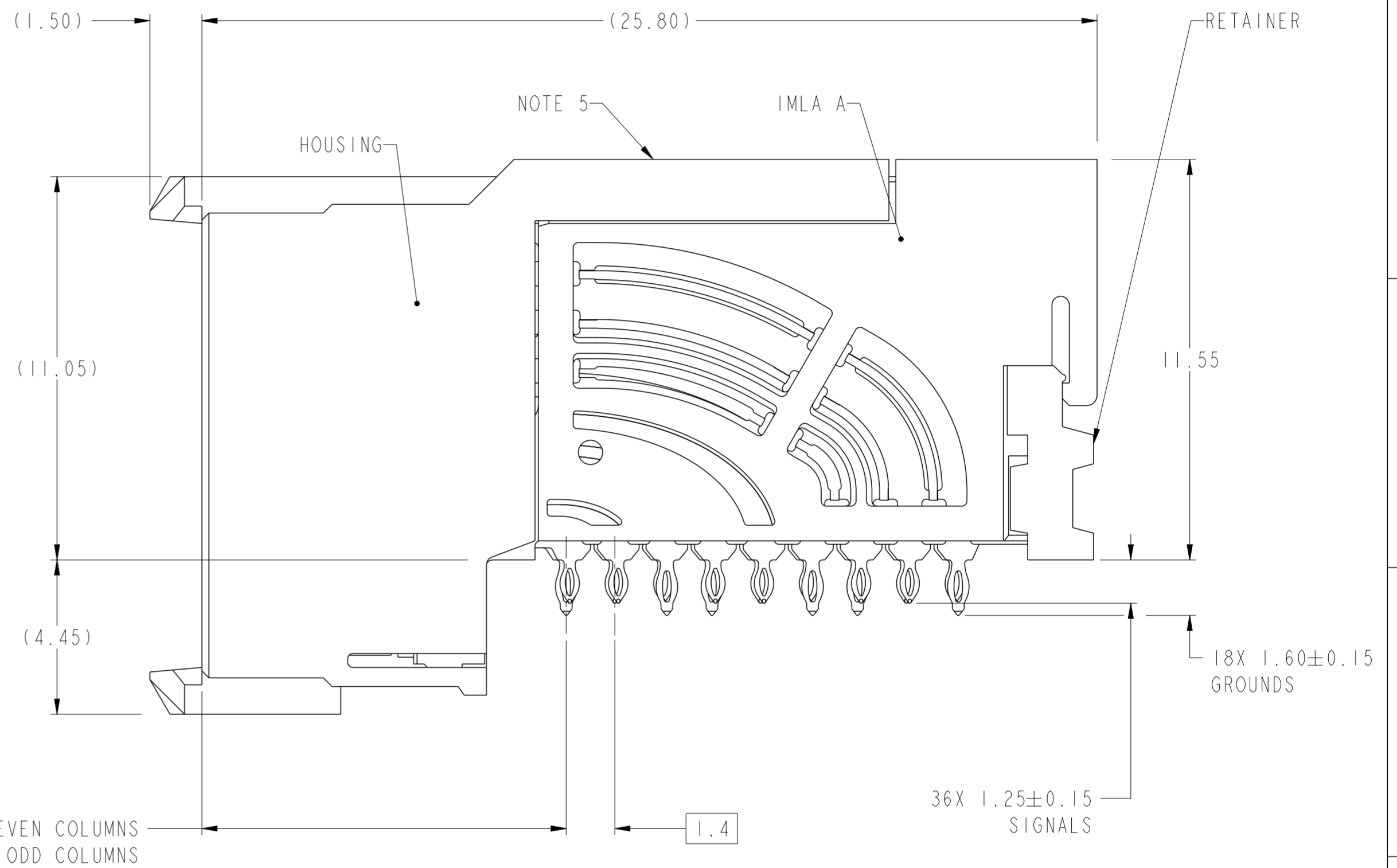
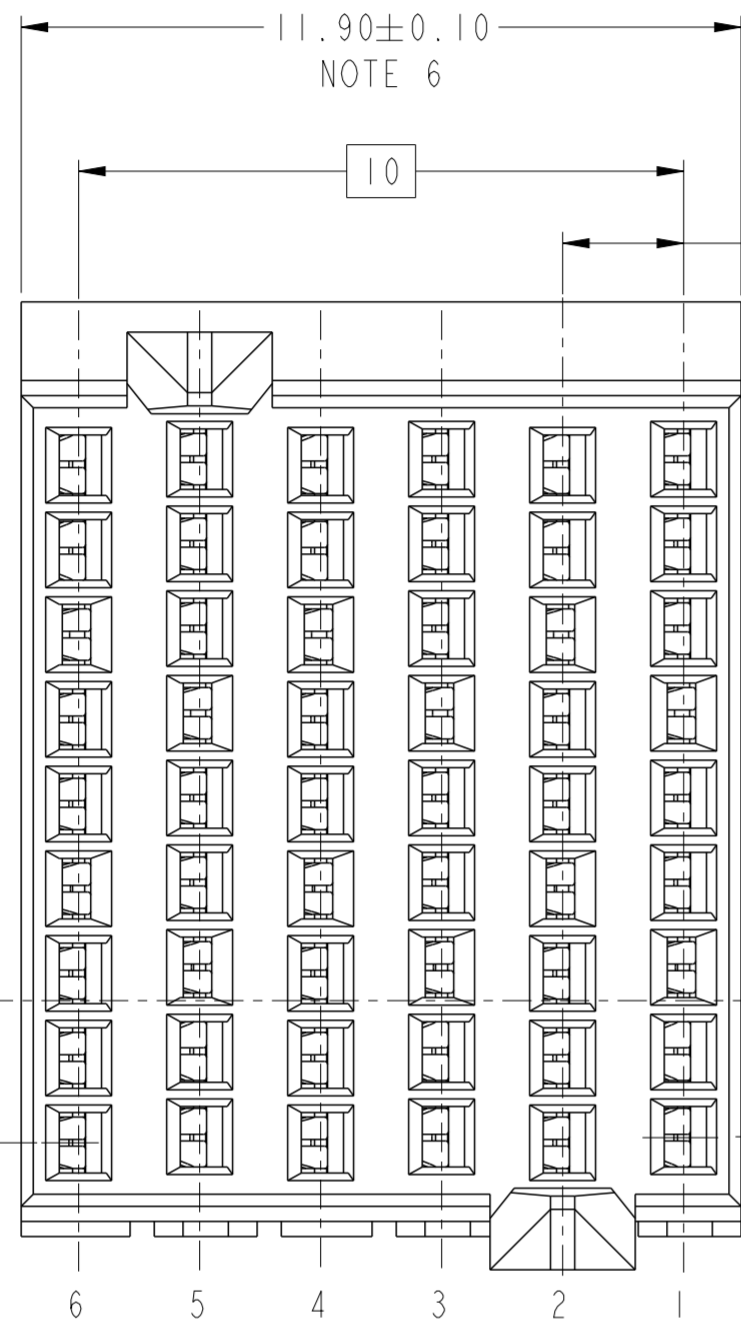


PRODUCT NUMBER
SEE SHEET 3



TOP SURFACE OF DAUGHTER CARD

2.25

2.35

6 5 4 3 2 1

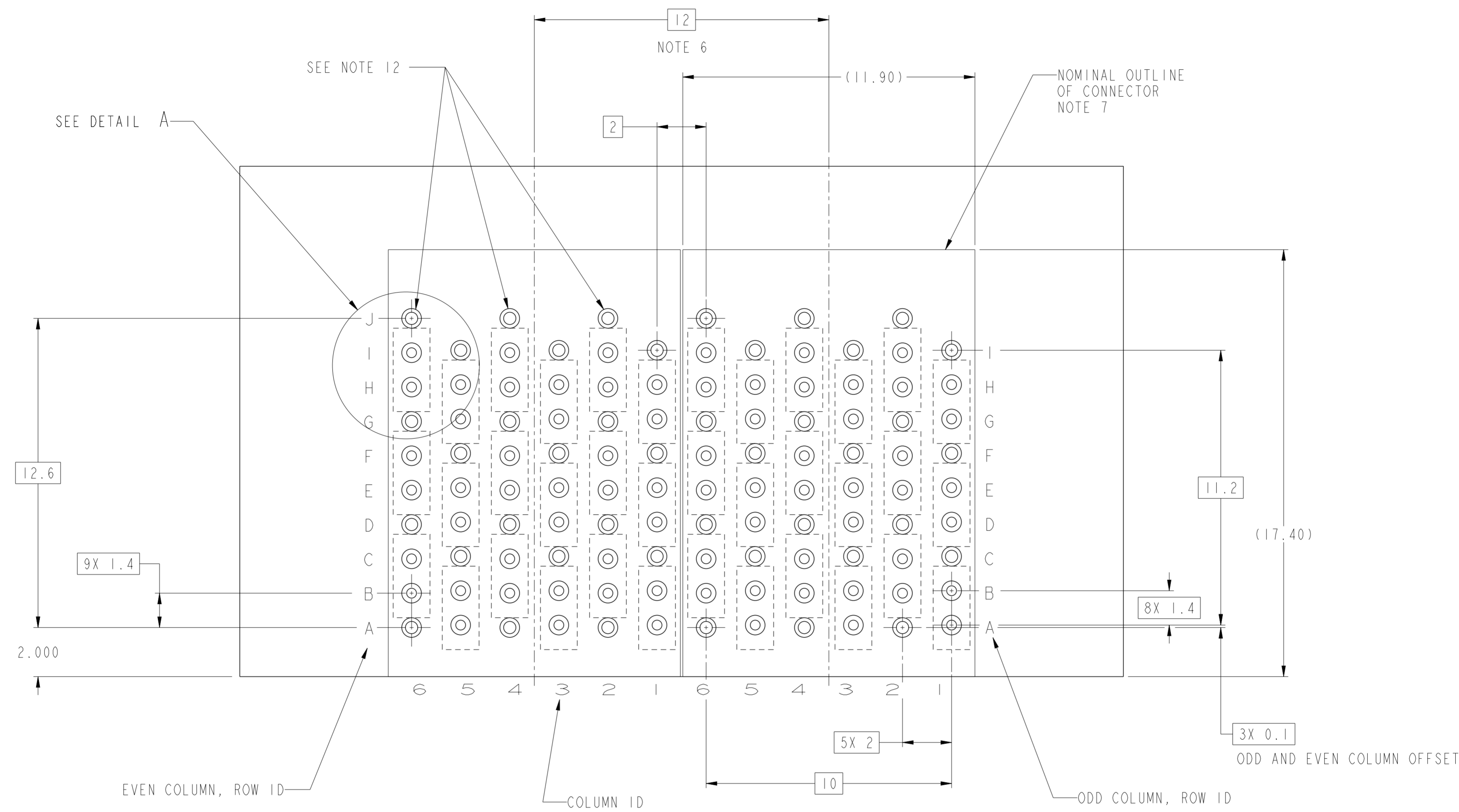
COLUMN ID

ODD COLUMN, CONTACT ROW ID

EVEN COLUMN, CONTACT ROW ID
ODD AND EVEN COLUMNS ARE OFFSET

10.50¢ OF EVEN COLUMNS
10.60¢ OF ODD COLUMNS

spec ref	---	dr	D.Johnescu	2011/10/07	projection	MM	size	A2	scale	1:1	
tolerance std	ASME Y14.5M	eng	Jeny Ren	2015/02/06			ecn no	ELX-DG-20165-1			
TOLERANCES UNLESS OTHERWISE SPECIFIED		chr	-	appr			Collins Lu	2015/02/06	product family	AirMax VSE	rel level
surface	✓	linear	0.X	±.3		AIRMAX VSE R.A. RECEPTACLE ASS'Y, 3 PAIR, 54 POS, 6 IMLA, 12MM	dwg no 10115910	rev B	Product - Customer Drw		
		angular	0°	±°					cat. no.	-	sheet 1 of 3
www.fci.com											



RECOMMENDED PCB LAYOUT
 FOR DIFFERENTIAL APPLICATIONS
 COMPONENT SIDE
 (TWO ADJACENT FOOTPRINTS SHOWN)
 NOTES 6, 8, & 11

Copyright FCI.
FCI

spec ref	---	dr	D.Johnescu	2011/10/07	projection	MM	size	A2	scale	1:1	
tolerance std	ASME Y14.5M	eng	Jeny Ren	2015/02/06			ecn no	ELX-DG-20165-1			
TOLERANCES UNLESS OTHERWISE SPECIFIED		chr	-	appr			Collins Lu	2015/02/06	product family	AirMax VSE	
surface	✓	linear	0.X	±.3		AIRMAX VSE R.A. RECEPTACLE ASS'Y, 3 PAIR, 54 POS, 6 IMLA, 12MM	rel level	Released			
			0.XX	±.10			cat. no.	-	Product - Customer Drw	sheet 2 of 3	
		angular	0°	±°			www.fci.com				

PDS: Rev :B

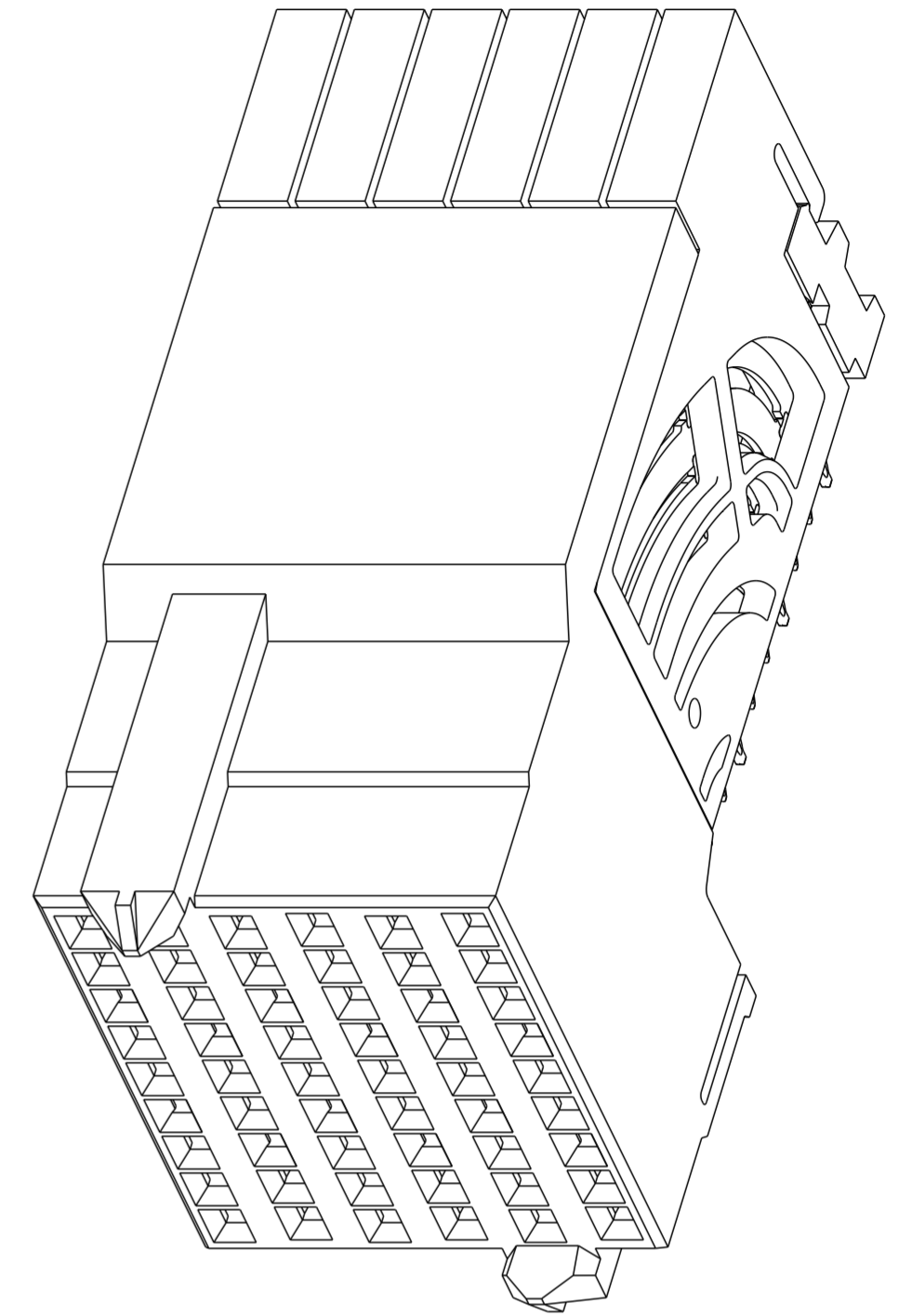
STATUS:Released

Printed: Feb 06, 2015

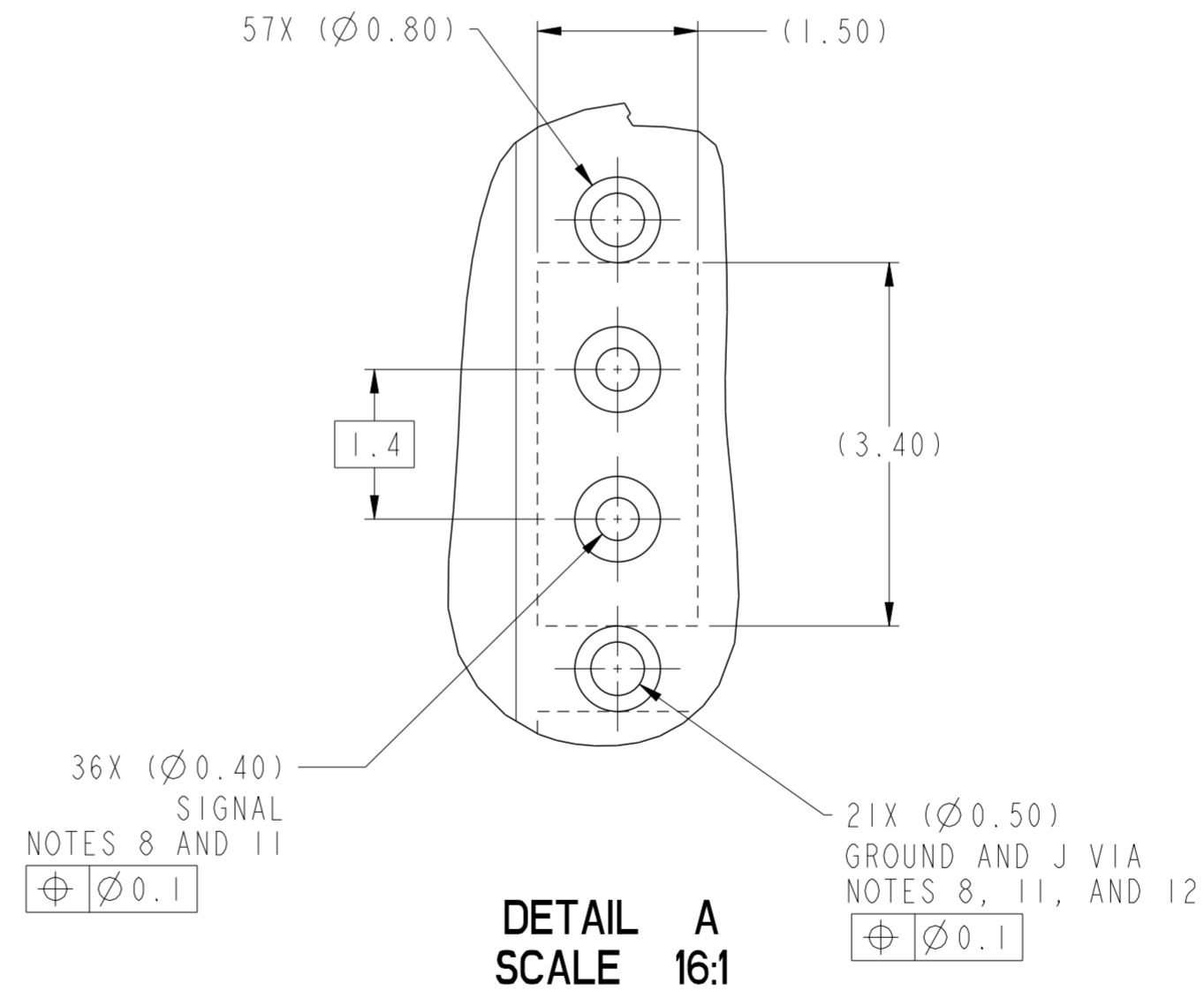
PRODUCT NUMBER	PRESS-FIT TAIL PLATING TYPE
10115910-101	TIN/LEAD ALLOY OVER NICKEL
10115910-101LF	TIN OVER NICKEL (LEAD FREE)

- ① - CONNECTOR MATERIALS:
HOUSING: HIGH TEMP THERMOPLASTIC, NATURAL, UL94-V0
IMLA PLASTIC: HIGH TEMP THERMOPLASTIC, BLACK, UL94-V0
CONTACT: COPPER ALLOY
ORGANIZER: HIGH TEMP THERMOPLASTIC, WHITE, UL94-V0
- 2 - CONTACT PLATING:
SEPARABLE INTERFACE:
PERFORMANCE-BASED PLATING, QUALIFIED TO MEET THE REQUIREMENTS OF FCI PRODUCT SPECIFICATION GS-12-0956 INCLUDING TELCORDIA GR-1217-CORE (NOVEMBER 1995) CENTRAL OFFICE TEST SEQUENCE

PRESS-FIT TAILS: SEE TABLE
- 3 - PRODUCT SPECIFICATION: GS-12-0956
- 4 - APPLICATION SPECIFICATION: GS-20-0305.
- ⑤ - PRODUCT MARKING, (PART NUMBER & LOT CODE), ON THIS SURFACE.
- ⑥ - THE MINIMUM CENTERLINE SPACING BETWEEN ADJACENT MODULES IS 12.0 MM.
- ⑦ - CONNECTOR OUTLINE MAY BE SCREEN PRINTED ONTO CUSTOMER PCB TO BE USED AS A GUIDE FOR MANUAL CONNECTOR PLACEMENT.
- ⑧ - REFER TO CUSTOMER DRAWING 10104444 FOR INFORMATION ON PCB HOLE DIAMETERS AND PLATING OPTIONS
- 9 - LEAD FREE PRODUCT MEETS THE EUROPEAN UNION DIRECTIVES & OTHER COUNTRY REGULATIONS AS DESCRIBED IN GS-22-008
- 10 - PACKAGING MEETS GS-14-920 LEAD FREE LABELING SPECIFICATION.
- ⑪ - GROUND CONTACTS (C,F, AND I IN ODD COLUMNS AND A, D, AND G, EVEN COLUMNS) REQUIRE (Ø0.500) FINISHED HOLES. SIGNAL LOCATIONS REQUIRE (Ø0.400) FINISHED HOLES.
- ⑫ - THESE OUTER VIAS (J) ARE OPTIONAL. WHILE NO CONNECTOR EONS ARE PRESSED INTO THESE HOLES WE RECCOMEND (Ø0.500) FINISHED HOLES AT THESE LOCATIONS TO PROVIDE GROUND SYMMETRY THROUGH THE PCB.



10115910-101 OR -101LF



spec ref	---	dr	D.Johnescu	2011/10/07	projection	MM	size	A2	scale	4:1
tolerance std	ASME Y14.5M	eng	Jeny Ren	2015/02/06	chr	-	ecn no	ELX-DG-20165-1	rel level	Released
surface	✓	appr	Collins Lu	2015/02/06	product family		dwg no	10115910	rev	B
	linear	0.X	±.3							
		0.XX	±.10							
		0.XXX	±.050							
	angular	0°	±°							
		www.fci.com		cat. no.	Product - Customer Drw		sheet 3 of 3			

PDS: Rev :B

STATUS:Released

Printed: Feb 06, 2015