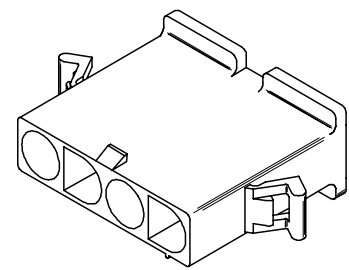
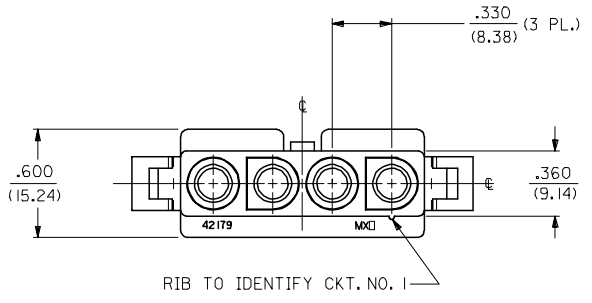
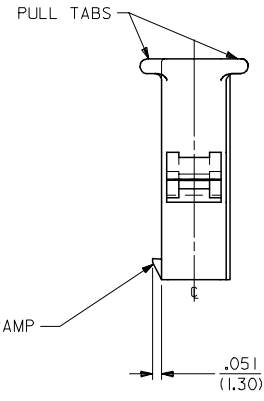
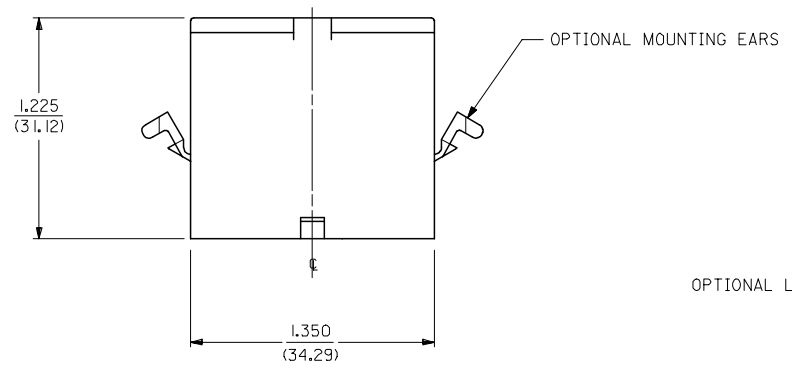
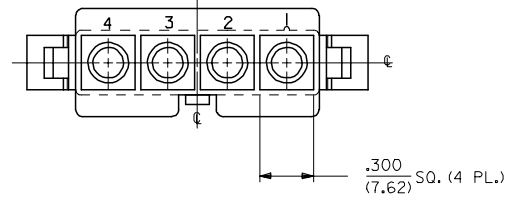


13 12 11 10 9 8 7 6 5 4 3 2 1

J
I
H
G
F
E
D
C
B
A



PLUG

UPDATE TITLE BLOCK EC NO. UCP2007-2085 DRAWN/PRD DR 2007/04/13 CHKD: AEL/HAG 2007/04/16 APPR: FSM/TH 2007/04/19 REV DESCRIPTION	QUALITY SYMBOLS	GENERAL TOLERANCES (UNLESS SPECIFIED) mm INCH 4 PLACES ± .005 ± .002 3 PLACES ± .007 ± .007 2 PLACES ± 0.18 ± .010 1 PLACE ± 0.25 ± .010 ANGULAR ± 1/2°	DIMENSION STYLE	SCALE	DESIGN UNITS	THIRD ANGLE PROJECTION	
	=0 =0		IN/MM	2:1	INCH	☉ □	
			DRAWN BY	DATE	TITLE	.125/(3.17) HOUSINGS, PLUG AND RECEPTACLE, 4 CKT .330/(8.38) CTRS.	
			CHECKED BY	DATE	MOLEX MOLEX INCORPORATED		
	APPROVED BY	DATE	MATERIAL NO.	DOCUMENT NO.	SHEET NO.		
			SEE CHART	SD-42179-4*	2 OF 3		
DRAFT WHERE APPLICABLE MUST REMAIN WITHIN DIMENSIONS			SIZE	THIS DRAWING CONTAINS INFORMATION THAT IS PROPRIETARY TO MOLEX INCORPORATED AND SHOULD NOT BE USED WITHOUT WRITTEN PERMISSION			

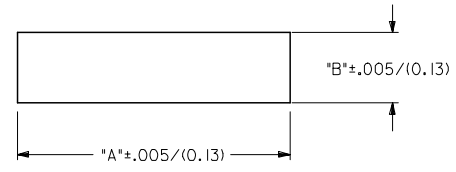
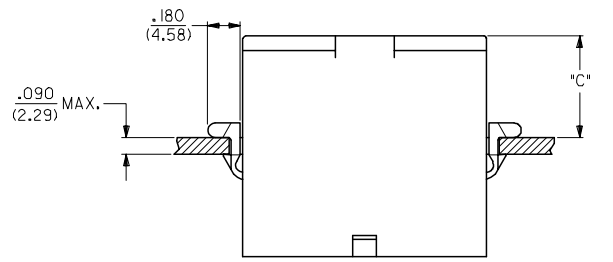
12 11 10 9 8 7 6 5 4 3 2 1

PLUG		
PART NO.	ENG. NO.	
03-12-2046	42179-4P1	
03-12-2045	42179-4P	
03-12-7042	42179-4PYW	
03-12-7043	42179-4PIYW	
03-12-7040	42179-4PBK	
03-12-7041	42179-4P1BK	
03-12-7044	42179-4PIRD	OBSOLETE
03-12-7045	42179-4P2	

RECEPTACLE	
PART NO.	ENG. NO.
03-12-1046	42179-4R1
03-12-6040	42179-4R1BK
03-12-6041	42179-4R1YW

LEGEND:
42179-4***

CIRCUIT SIZE: _____
HOUSING TYPE: _____
P = PLUG
R = RECEPTACLE
FEATURE OPTIONS: _____
BLANK = WITH MOUNTING EARS (PLUG ONLY)
1 = WITHOUT MOUNTING EARS
2 = WITH MOUNTING EARS (PLUG ONLY);
WITHOUT LOCKING RAMP
COLOR: _____
BLANK = 94V-2; TRANSLUCENT NATURAL COLOR
AM=AMBER BK=BLACK BU=BLUE
BN=BROWN GY=GRAY GN=GREEN
OR=ORANGE RD=RED YW=YELLOW



HOUSING	DIM. "A"	DIM. "B"	DIM. "C"
PLUG	1.511/(38.38)	.440/(11.18)	.57/(14.5)

- NOTES:
1. MATERIAL: NYLON (PA), UL94V-2, COLOR-NATURAL (TRANSLUCENT)
 2. FINISH: NONE
 3. PRODUCT SPECIFICATION: NONE
 4. PACKAGING SPECIFICATION: PK-42179-001
 5. PART ACCEPTS A MAXIMUM .250/(6.35) INSULATION DIAMETER WIRE.
 6. FOR USE WITH ALL MOLEX .125/(3.17) DIAMETER SERIES TERMINALS EXCEPT THE 1219/1220 SERIES.
 7. PARTS CONFORM TO CLASS B REQUIREMENT OF COSMETIC SPECIFICATION PS-45499-002

OBS. P/N 03-12-7044 EC NO. UCP2007-2085 DRAWN/PRD DR 2007/04/13 CHKD: AEL/HAG 2007/04/16 APPR: FSM/TH 2007/04/19 REV DESCRIPTION	QUALITY SYMBOLS	GENERAL TOLERANCES (UNLESS SPECIFIED)	DIMENSION STYLE	SCALE	DESIGN UNITS	THIRD ANGLE PROJECTION
	=0 =0	mm INCH 4 PLACES ± --- ± --- 3 PLACES ± --- ± .007 2 PLACES ± 0.18 ± .010 1 PLACE ± 0.25 ± --- ANGULAR ± 1 °	IN/MM	2:1	INCH	□ THIRD ANGLE PROJECTION
			DRAWN BY DATE			TITLE
			CHECKED BY DATE			.125/(3.17) HOUSING, PLUG AND RECEPTACLE, 4 CKT .330/(8.38) CTRS.
		APPROVED BY DATE				
		MATERIAL NO.				
		DRAFT WHERE APPLICABLE MUST REMAIN WITHIN DIMENSIONS		SEE CHART	SD-42179-4*	SHEET NO. 3 OF 3
		THIS DRAWING CONTAINS INFORMATION THAT IS PROPRIETARY TO MOLEX INCORPORATED AND SHOULD NOT BE USED WITHOUT WRITTEN PERMISSION				