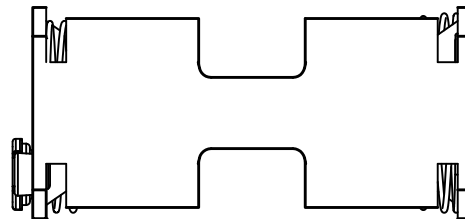
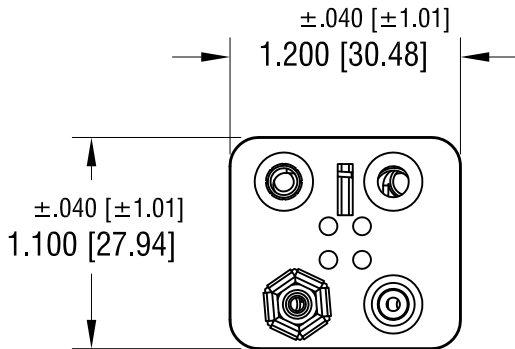
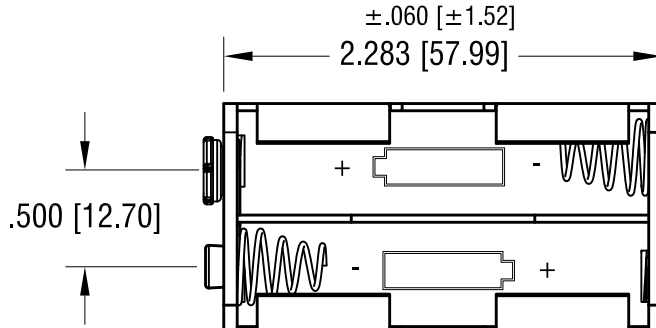
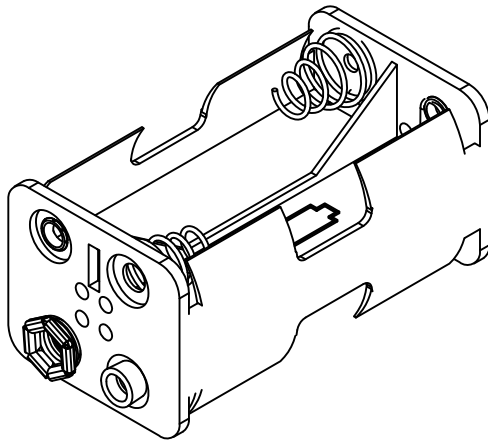


THIS DOCUMENT IS THE PROPERTY OF
KEYSTONE ELECTRONICS CORP. AND
SHALL NOT BE REPRODUCED, DISTRIBUTED
OR USED AS A BASIS FOR MANUFACTURE
WITHOUT PRIOR WRITTEN PERMISSION
FROM KEYSTONE ELECTRONICS CORP.



NOTE:

- 1. HOLDER: MAT'L: POLYPROPYLENE
- SPRING: MAT'L: MUSIC WIRE, .027 [0.70] DIA.
- CONTACT: MAT'L: BRASS

KEYSTONE ELECTRONICS CORP.

www.keyelco.com • ASTORIA, N.Y. 11105-2017 • Tel (718) 956-8900

PART NAME

BATTERY HOLDER WITH SNAP-ON, (4) 'AA'

MATERIAL

AS NOTED

FINISH

NICKEL PLATE

DRN BY

BOONE

DATE

5.3.96

APP'D

LN

SCALE

1X

TOLERANCES

INCH [MM]

DECIMAL

$\pm .010$ [± 0.25]

ANGULAR

$\pm 1^\circ$

UNLESS OTHERWISE SPECIFIED

CODE

C

DWG NO.

2476

7.18.14 CHANGE AS PER ECN 14-074

B

12.26.13 ECN 13-117, (A1) WAS 1.200

A

DATE

DESCRIPTION

REV.