

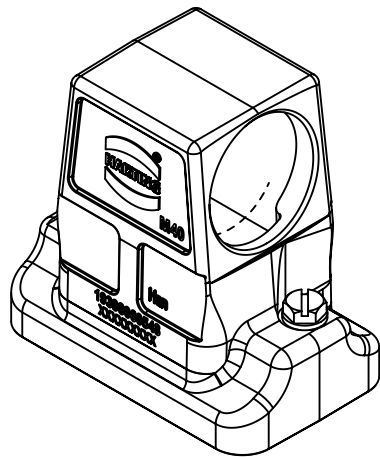
1 2 3 4 5 6

A

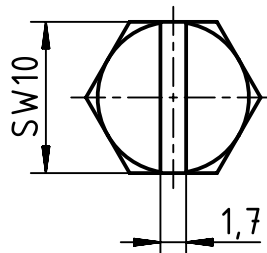
B

C

D

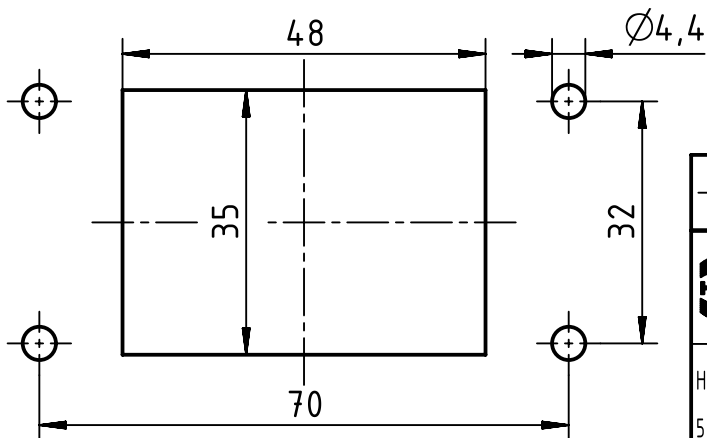
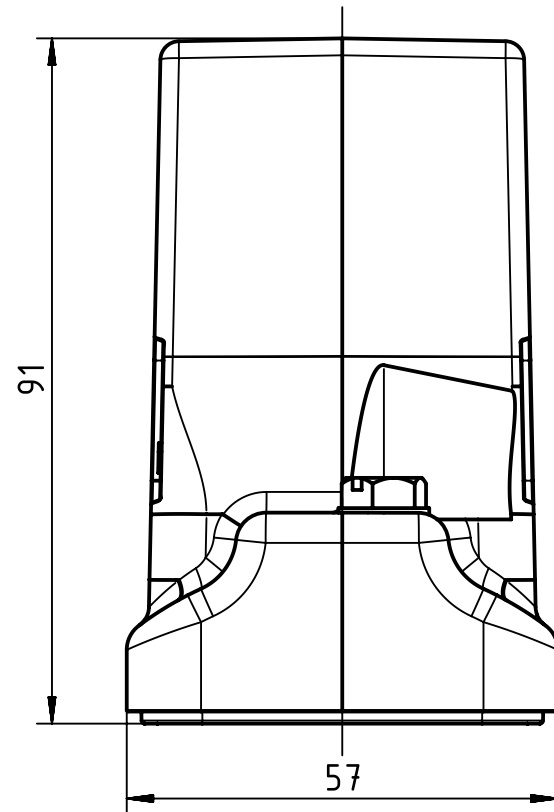
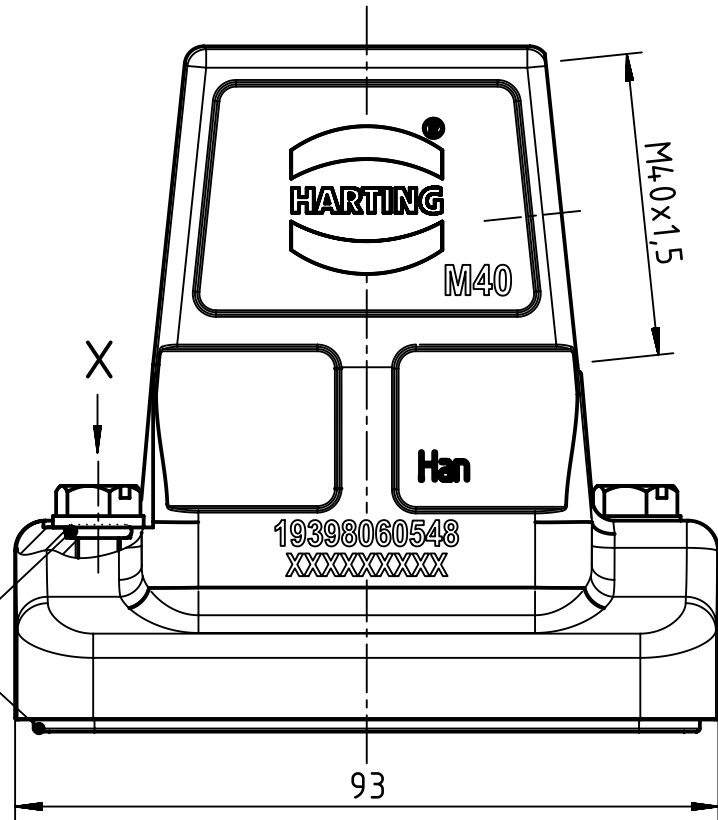


X (2:1)



Panel cut out

Seal



	All Dimensions in mm Original Size DIN A4		Scale 1:1	Free size tol.		Ref. Sub.	
	All rights reserved Department EL PD - CN		Created by LONGL	Inspected by WENE	Standardisation SCHMIDTM	Date 2017-03-20	State Final Release
HARTING (Zhuhai) Manufacturing Co., Ltd. 519085 Zhuhai, China			Title Han 6HP Direct/EMV-HSE-M40			Doc-Key / ECM-Nr. 100665282/UGD/005/C 500000116964	
			Type TB	Number 19 39 806 0548		Rev. C	Page 1/1