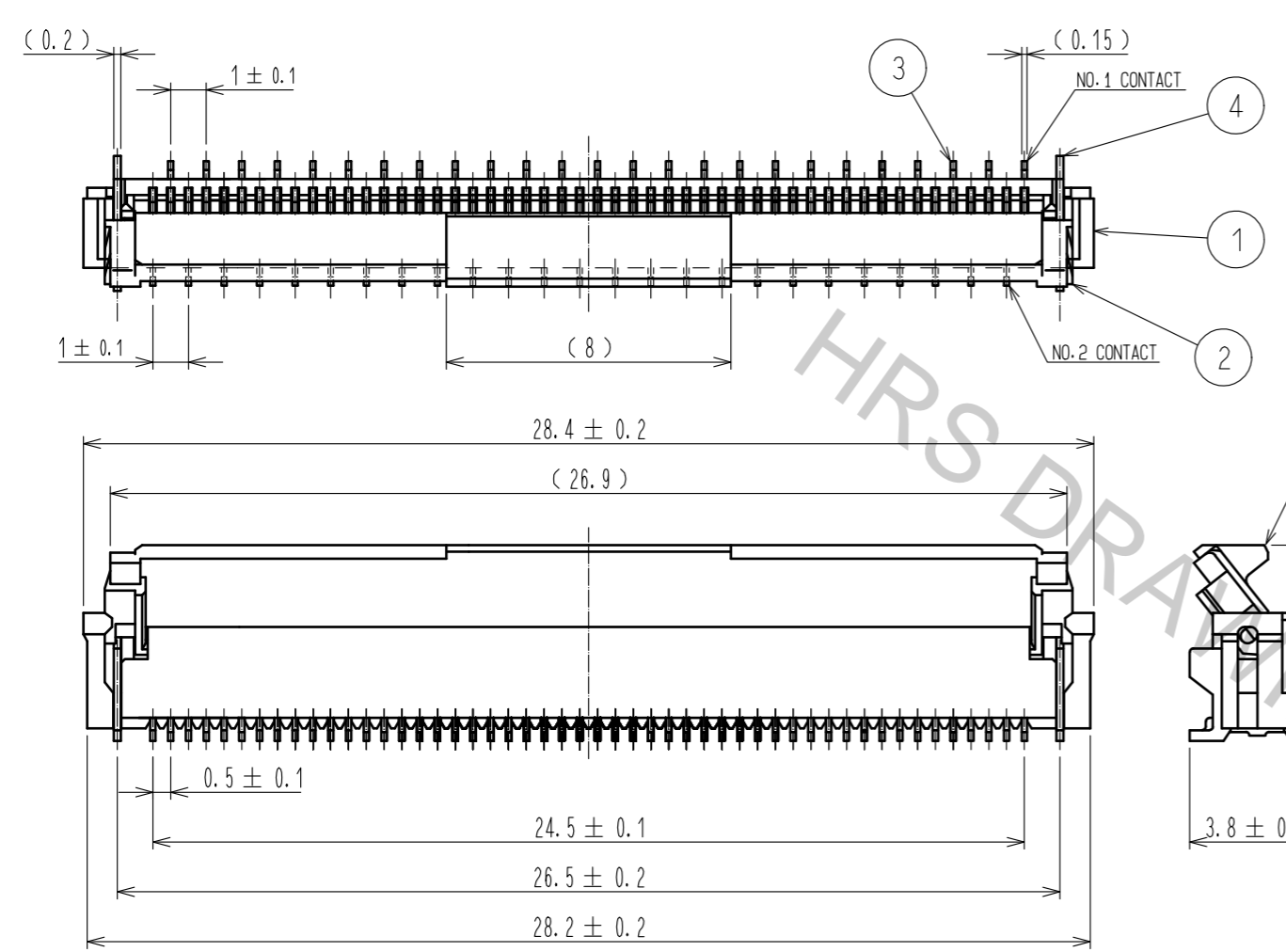
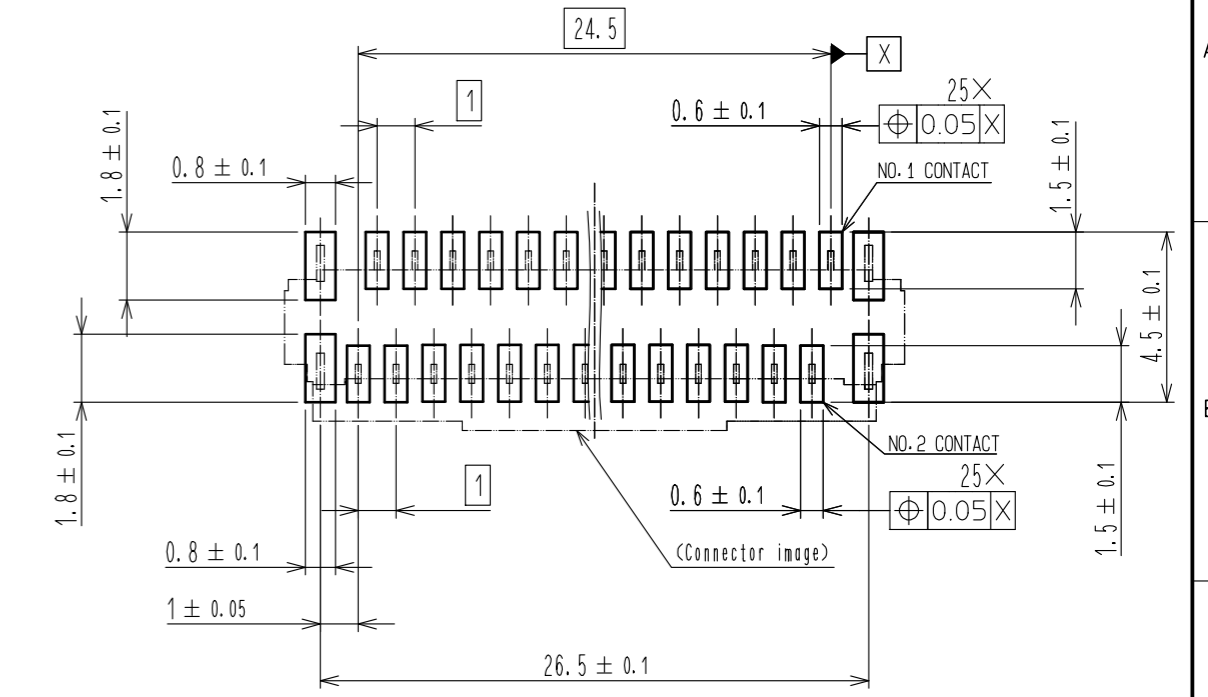


Apr.1.2017 Copyright 2017 HIROSE ELECTRIC CO., LTD. All Rights Reserved.

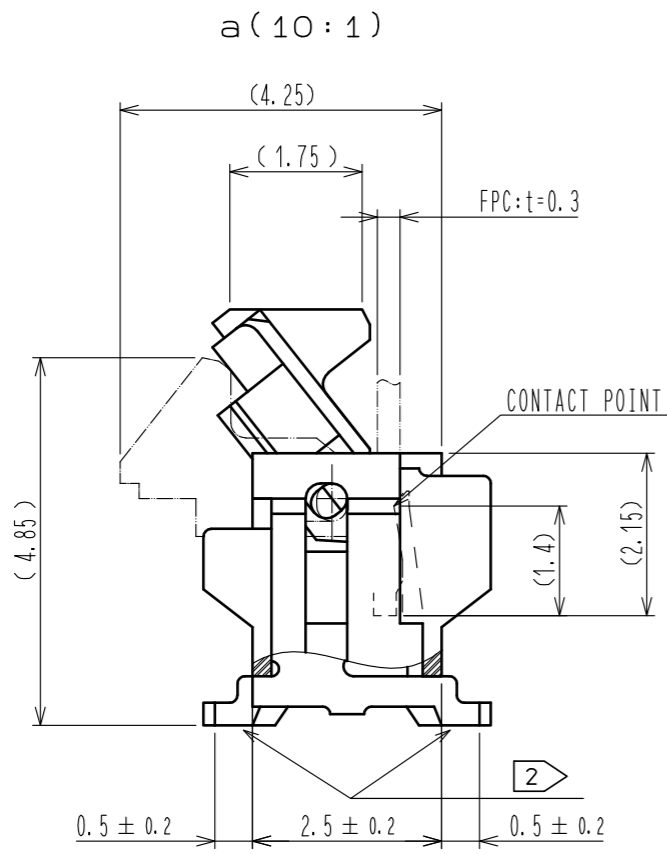
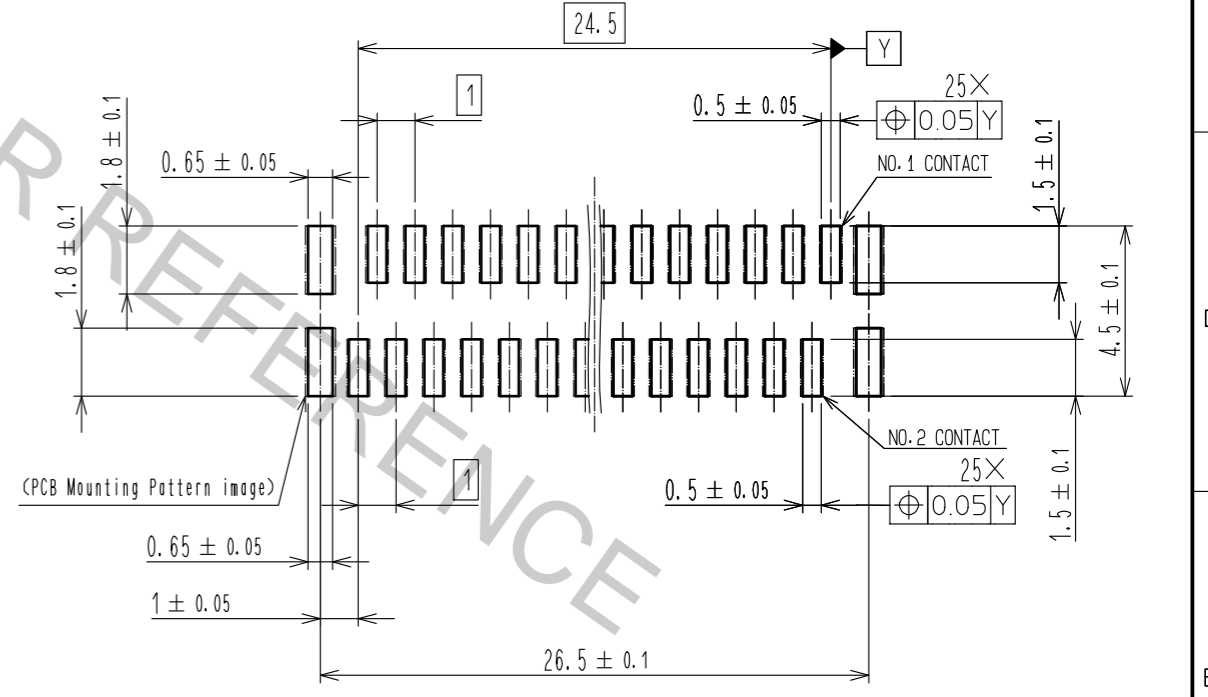


NOTE 1 THE DIMENSIONS IN PARENTHESES ARE FOR REFERENCE.
 2 LEAD CO-PLANARITY SHALL BE 0.1 MAX.

RECOMMENDED PCB MOUNTING PATTERN

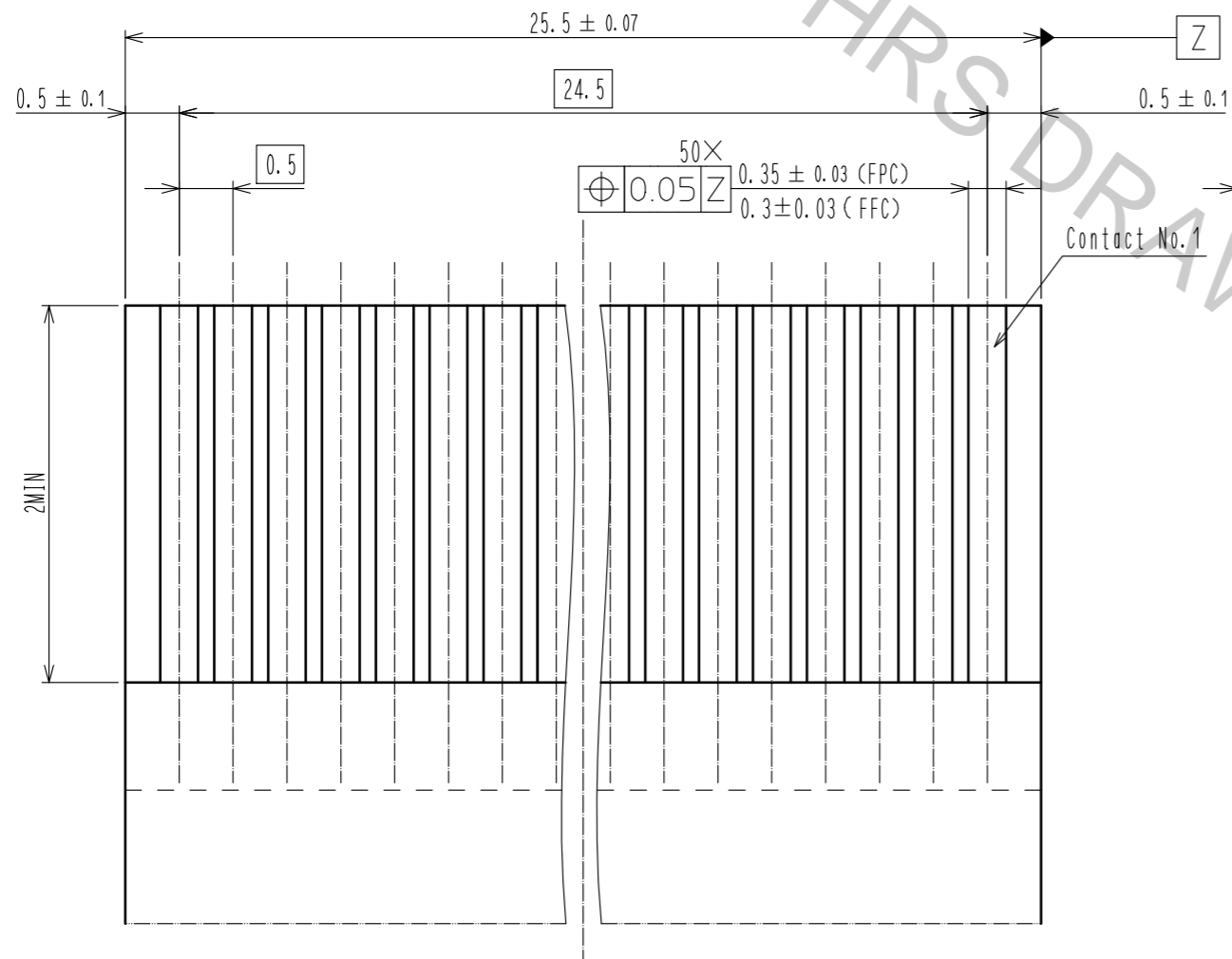


RECOMMENDED STENCIL PATTERN
 (RECOMMENDED STENCIL THICKNESS : t=0.15)

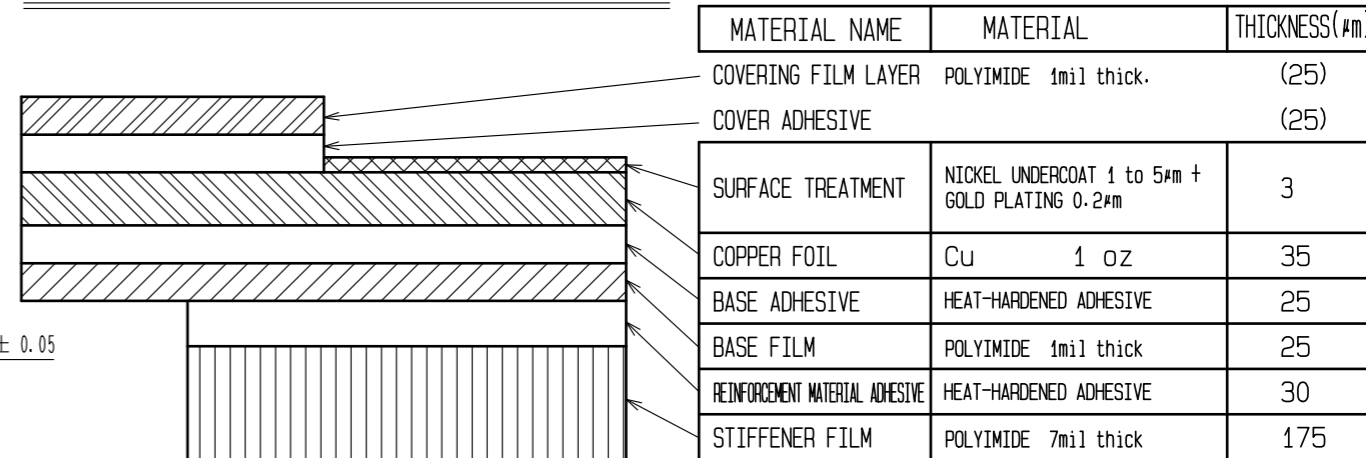


4	BRASS	TIN PLATING 1μm MIN-OVER NICKEL 1μm MIN.	8	(CONNECTOR)	
3	PHOSPHOR BRONZE	GOLD PLATING 0.05μmMIN OVER NICKEL 1μmMIN	7	POLYSTYRENE	
2	PPS	(DEEP BROWN) UL94V-0	6	POLYESTER	
1	POLYAMIDE	(BEIGE) UL94V-0	5	POLYSTYRENE	
NO.	MATERIAL	FINISH . REMARKS	NO.	MATERIAL	FINISH . REMARKS
UNITS	mm	SCALE	5 : 1	COUNT	△
APPROVED : HS. SAKAMOTO		16.09.14	DRAWING NO. EDC-324670-55-00		
CHECKED : HS. SAKAMOTO		16.09.14	PART NO. FH12-50S-0.5SVA(55)		
DESIGNED : RT. IKEDA		16.09.14	CODE NO. CL586-0805-8-55		
DRAWN : TY. TAZOKO		16.09.14	1/3		

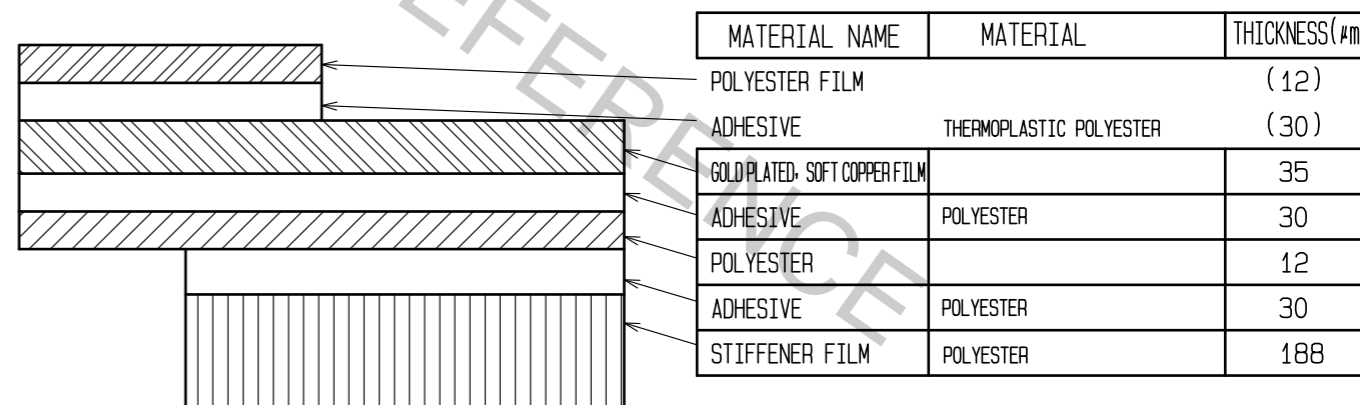
RECOMMENDED FPC/FFC (15:1)



FPC CONFIGURATION (REFERENCE EXAMPLE) (SCALE:FREE)



FFC CONFIGURATION (REFERENCE EXAMPLE) (SCALE:FREE)

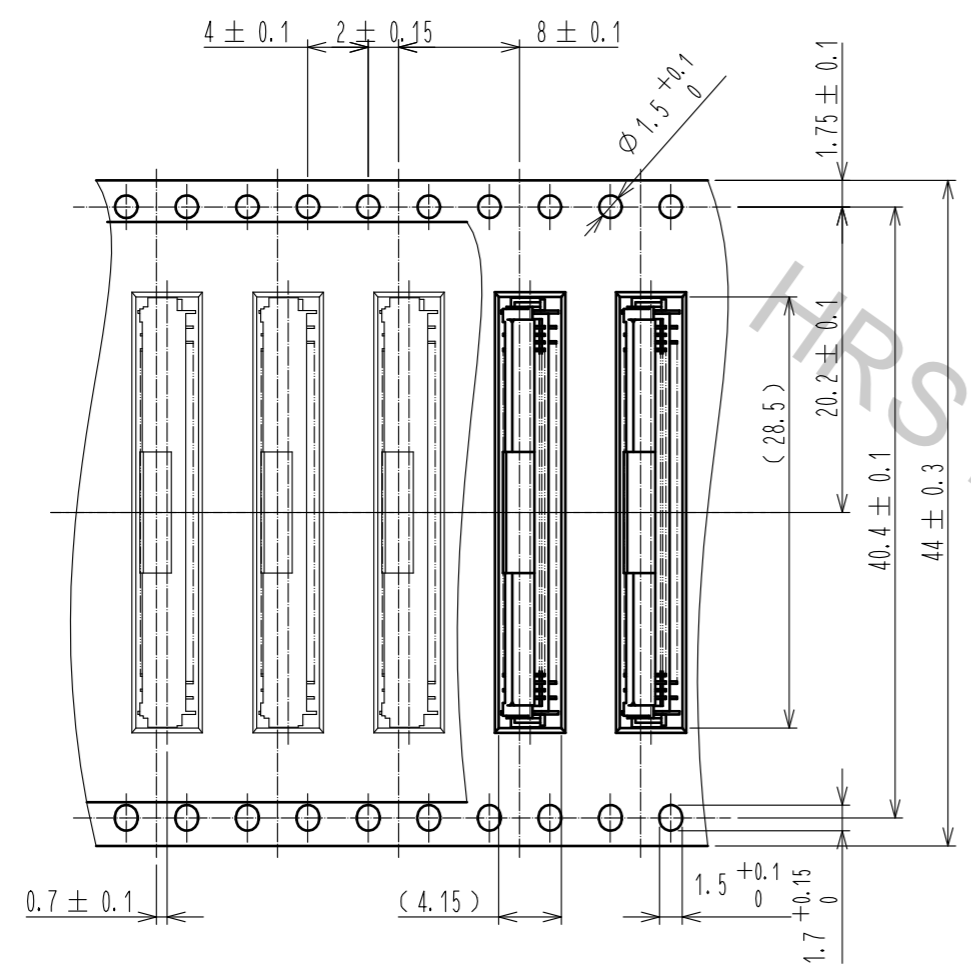


HRS	DRAWING NO.	EDC-324670-55-00
	PART NO.	FH12-50S-0.5SVA(55)
	CODE NO.	CL586-0805-8-55
		\triangle 2/3

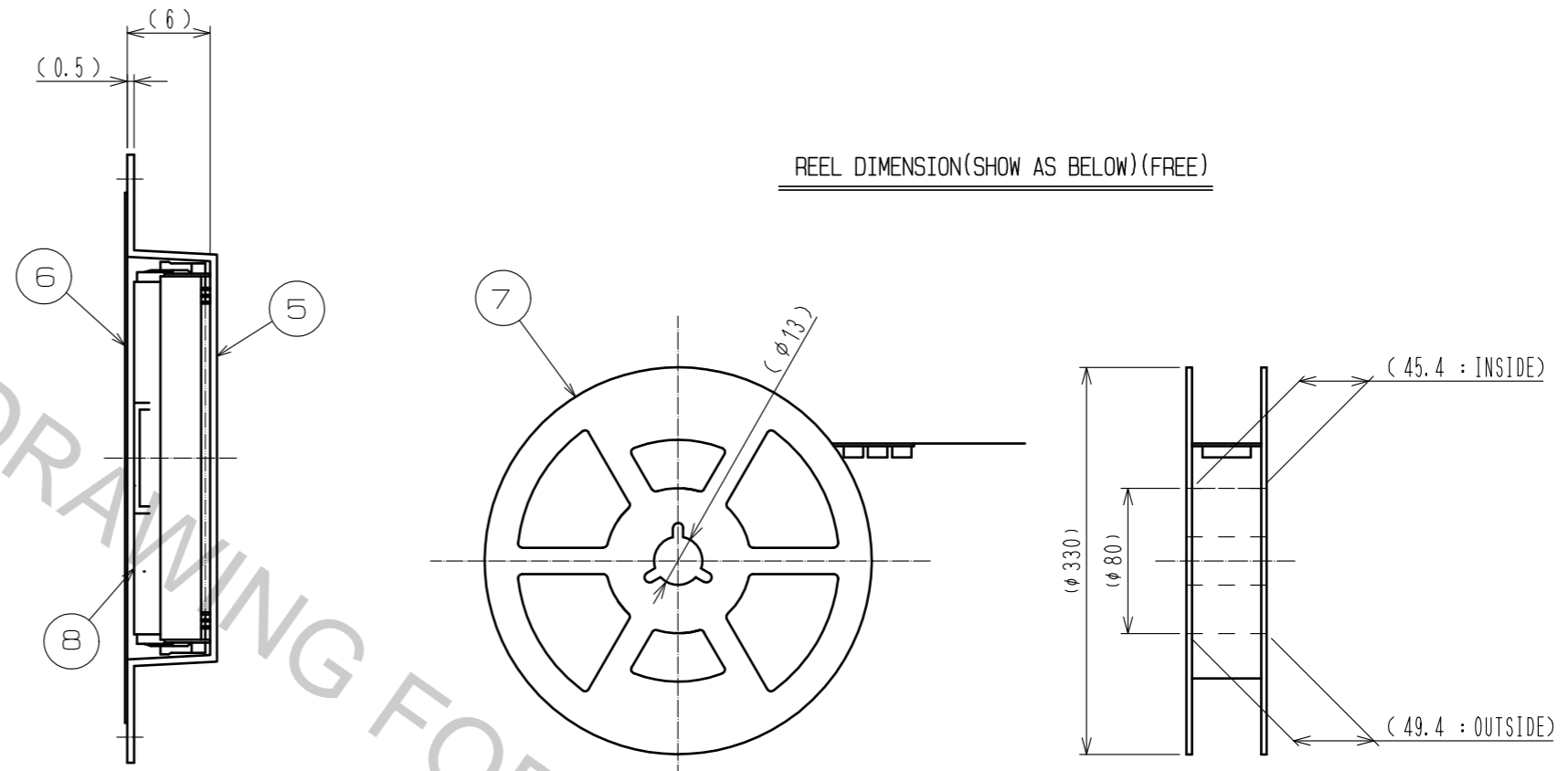
1 2 3 4 5 6 7 8

A
B
C
D
E
F

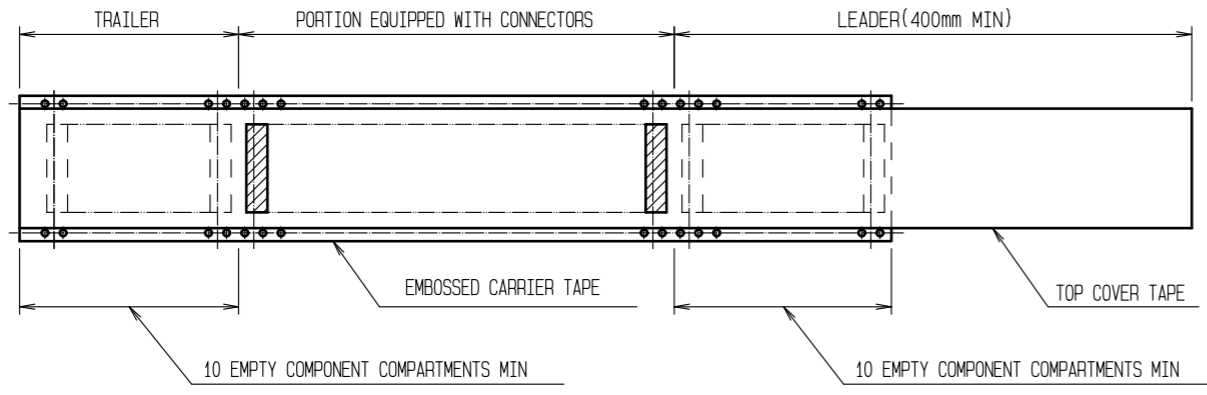
EMBOSSED CARRIER TAPE DIMENSION (2:1)



REEL DIMENSION(SHOW AS BELOW)(FREE)



DIRECTION OF UNREELING



NOTE 3 1REEL : 1000 CONNECTORS.

DRAWING FOR PACKING

HRS	DRAWING NO.	EDC-324670-55-00
	PART NO.	FH12-50S-0.5SVA(55)
	CODE NO.	CL586-0805-8-55
		\triangle 3/3