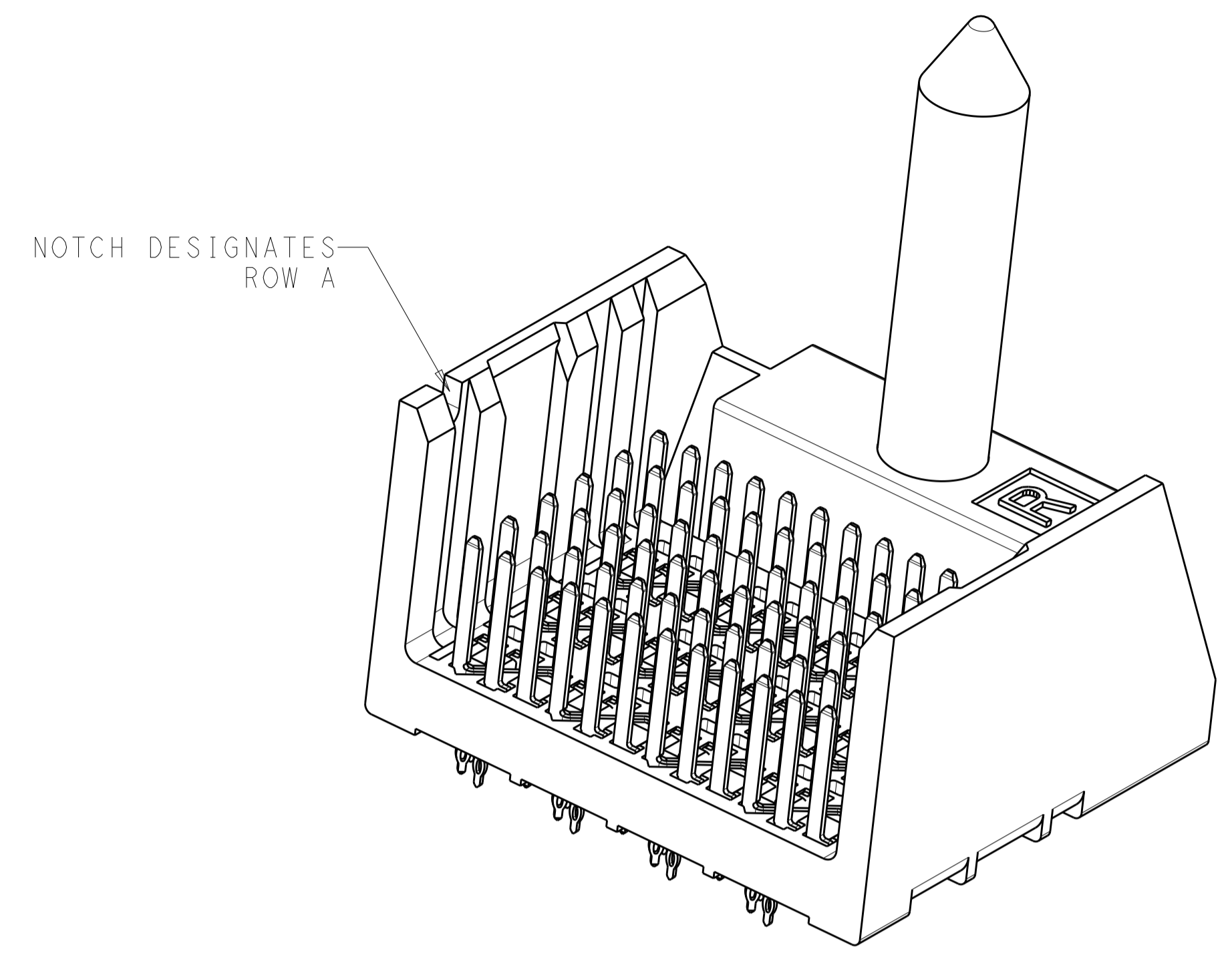
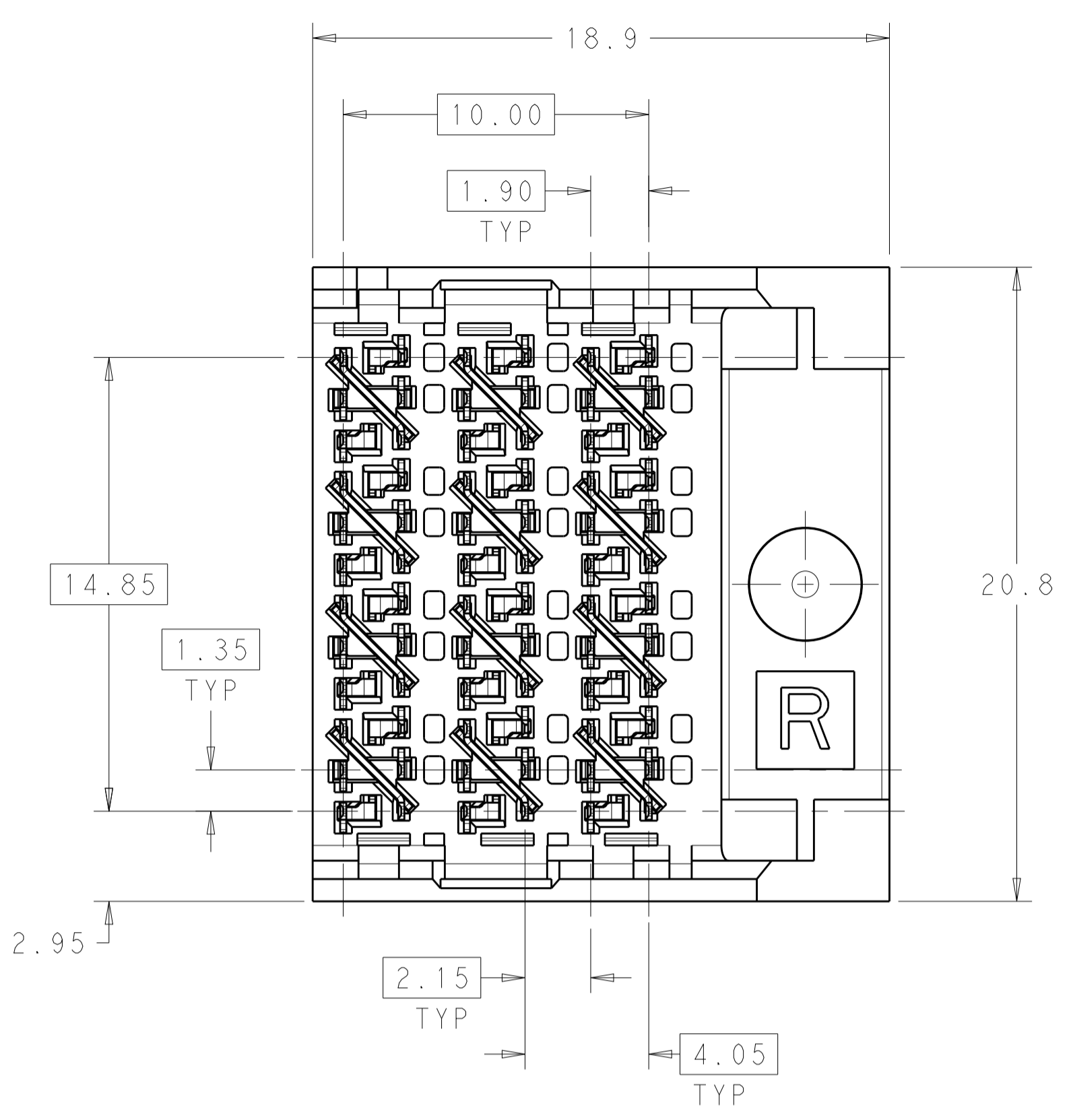
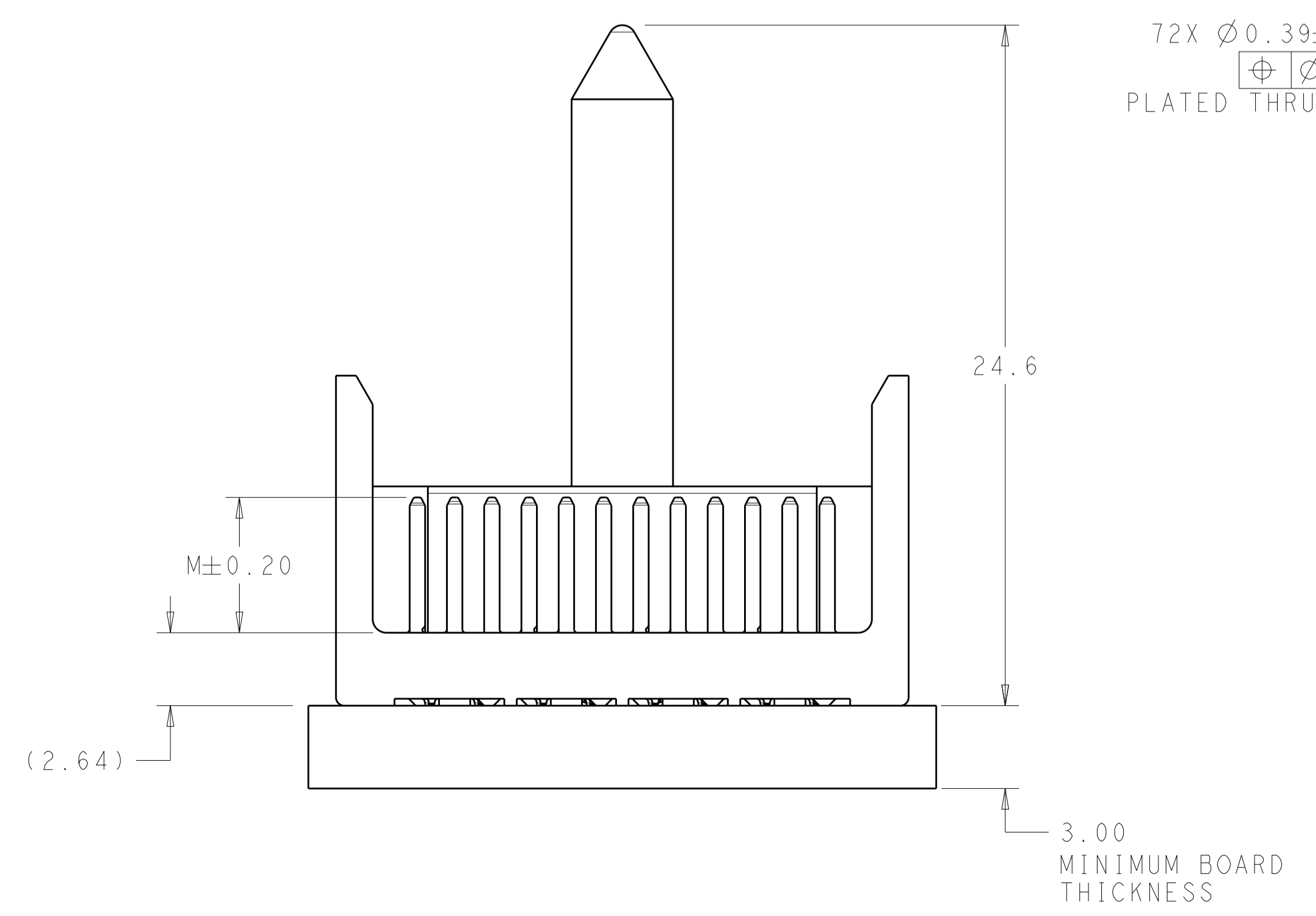
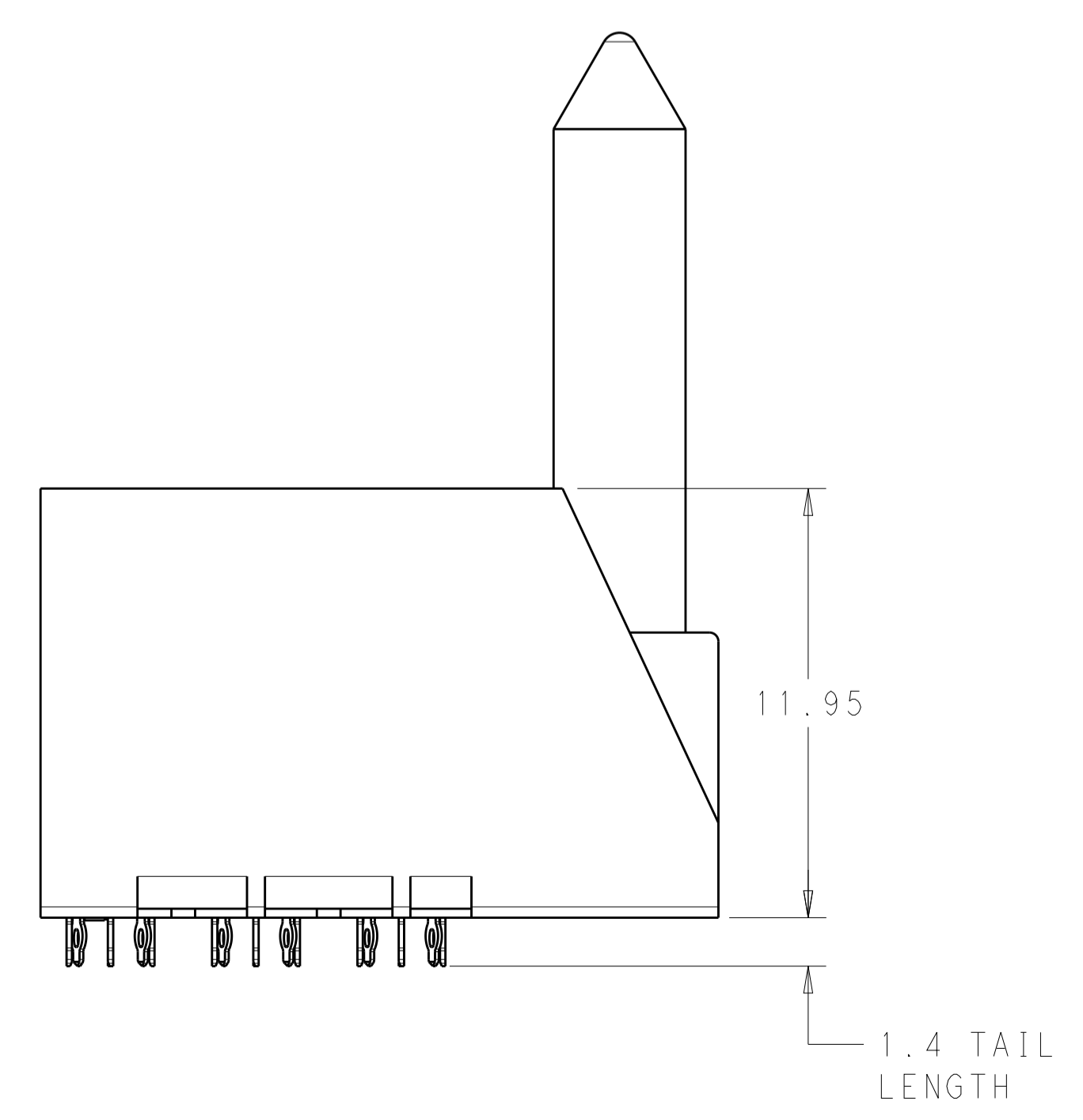
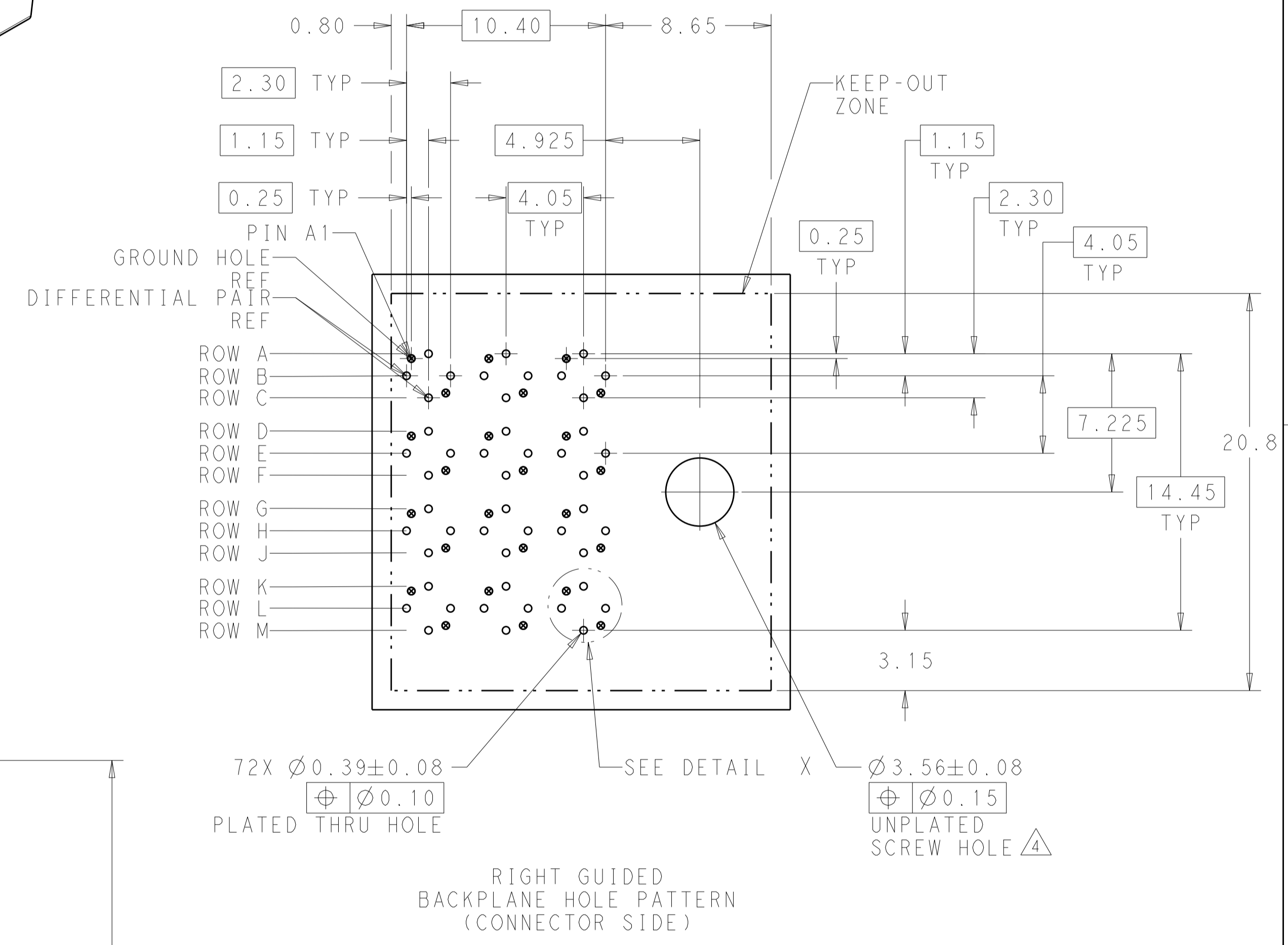
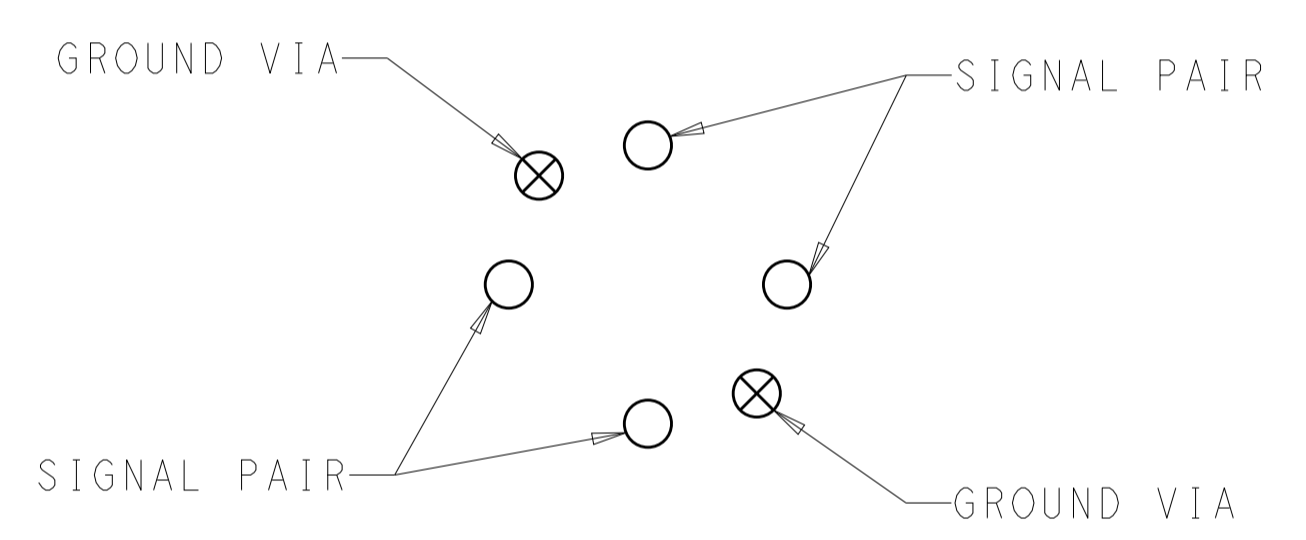


REVISIONS				
P.	LTN.	DESCRIPTION	DATE	APPROV.
C1		REVISED PER ECO-15-001489	31JAN2015	AP DD



- 1 MATERIAL:  
HOUSING: LCP, GLASS FILLED, UL94V-0.  
TERMINALS: HIGH PERFORMANCE COPPER ALLOY.
- 2 FINISH:  
30μ" MIN GOLD IN CONTACT AREA. SELECTIVE TIN ON PCB TAILS, NICKEL OVERALL.
- 3. SCREWS PACKAGED IN END OF PACKAGING TUBE.
- 4 FOR GROUNDED GUIDE PIN USE Ø3.56±0.08 PTH, Ø3.66 DRILL, AND Ø6.5 PAD.



REFER TO WWW.TE.COM FOR PRODUCT AVAILABILITY

2	5.5	2132595-2
2	4.9	2132595-1
FINISH	DIM M	PART NUMBER

THIS DRAWING IS A CONTROLLED DOCUMENT.		DWN: KIRAN HOLAL 17OCT2012	TE Connectivity	
DIMENSIONS: mm		CHK: D. DIXON 17OCT2012		
TOLERANCES UNLESS OTHERWISE SPECIFIED:		APVD: D. DIXON 17OCT2012		
0 PLC ±0.25		PRODUCT SPEC	NAME: IMPACT, ORTHOGONAL, 4 PAIR, 6 COLUMN HEADER, RIGHT GUIDED, OPEN END WALL SIGNAL MODULE, 0.39 PTH	
1 PLC ±0.13		APPLICATION SPEC	SIZE: CAGE CODE DRAWING NO. RESTRICTED TO	
2 PLC ±0.10		WEIGHT	A100779C=2132595	
3 PLC ±0.08		CUSTOMER DRAWING	SCALE: 6:1 SHEET 1 OF 1 REV: C1	
4 PLC ±0.05				
ANGLES				
FINISH: SEE TABLE				