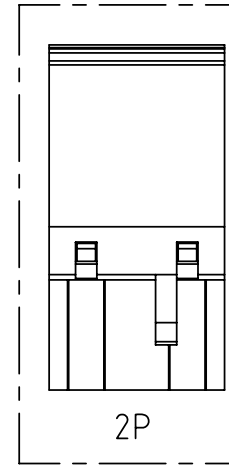
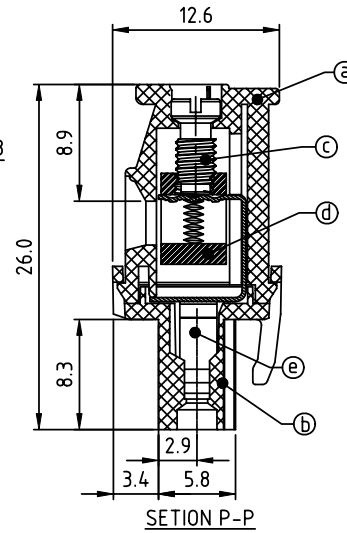
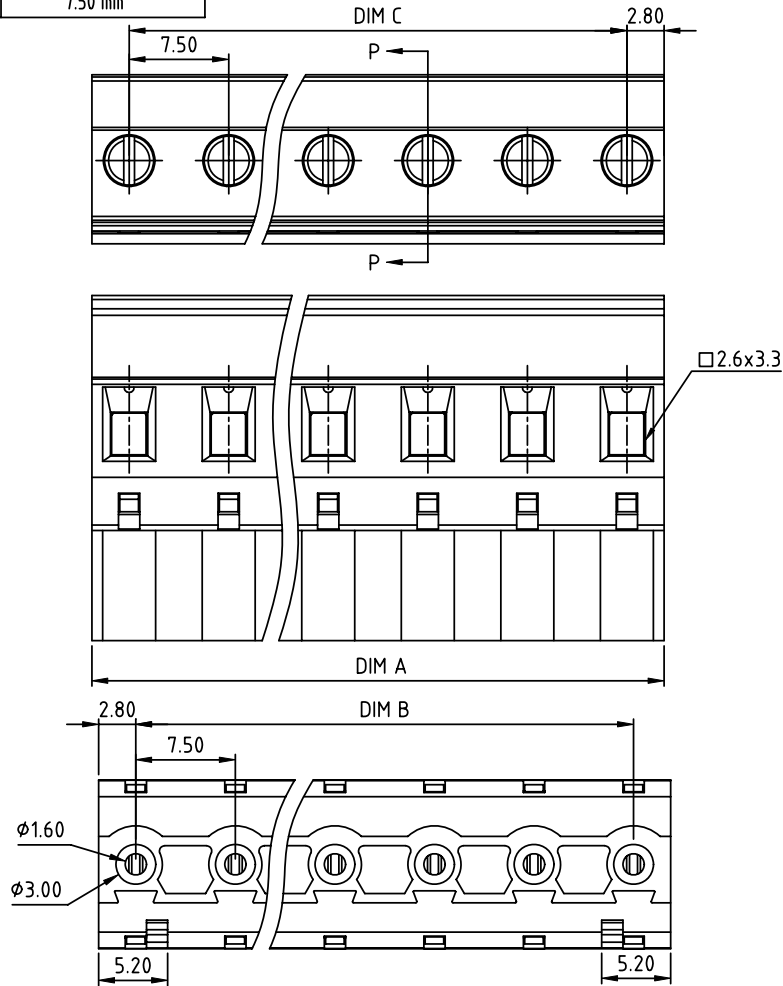


PRODUCT NUMBER	PITCH
TSxxA1xB00J0G	7.50 mm



Material

- Item(a)Top body:Thermoplastic (UL94V-0)
- Item(b)Bottom body:Thermoplastic (UL94V-0)
- Item(c)Terminal screw:Steel Zinc plating "-" slot type
- Item(d)Clamp:Brass, Ni plated
- Item(e)Female contact:PhBz (CuSn) Tin plated

Electrical cULus/TUV

- Voltage rating: 300VAC/750VAC
- Current rating: 15A/15A
- Wire range:0.2-2.5mm²
- Solid wire(AWG): 12-24
- Stranded wire(AWG): 12-24
- Torque: 3.5 Lb-In 0.4Nm
- Screw: M3
- Wire strip length: 6-7mm
- Withstanding Voltage: 1.6KV/6KV
- Operating temperature: -40°C to +115°C
- Safety Approval:

Dim A=(N-1)×7.5+5.6
 Dim B=(N-1)×7.5
 Dim C=(N-1)×7.5
 N=Number of poles

POLES	Tolerance
2p-6p	±0.20
7p-11p	±0.30
12p-16p	±0.40

PART NO.: TS xx A1 x B 00J0 G

	Solid block	No. of poles	Color	RoHS compliant (lead<4%) In copper Alloy
0	Black (RAL9005)			
2	Red (RAL3001/D)			
02	2 poles	3	Orange(RAL2011/P)	
03	3 poles	4	Yellow(RAL1018/A)	
...	...	5	Green(RAL6018/T)	
16	16 poles	6	Blue (RAL5015/A)	
		8	Grey(RAL7035/D)	
		9	White(RAL1102)	
		C	Green(RAL6018/U)	

mat'l. code		surface ASME Y14.5	tolerance ASME Y14.5	projection	product family TERMINAL BLOCK
ltr	ecn no	dr	date		title
				tolerances unless otherwise specified	TERMINAL BLOCK
				angles X°±1'	PLUGGABLE PLUG,HOOK ON BACK SIDE,WITHOUT FLANGE
				scale	scale
		dr	EVIN ZHONG	041914	dwg no
		enr	EVIN ZHONG	041914	sheet 1 of 1
		chr	HANKE FENG	041914	size
		appd	SHI JUN	041914	A4
sheet index	revision	A			type
	sheet	1			CUSTOMER Drawing