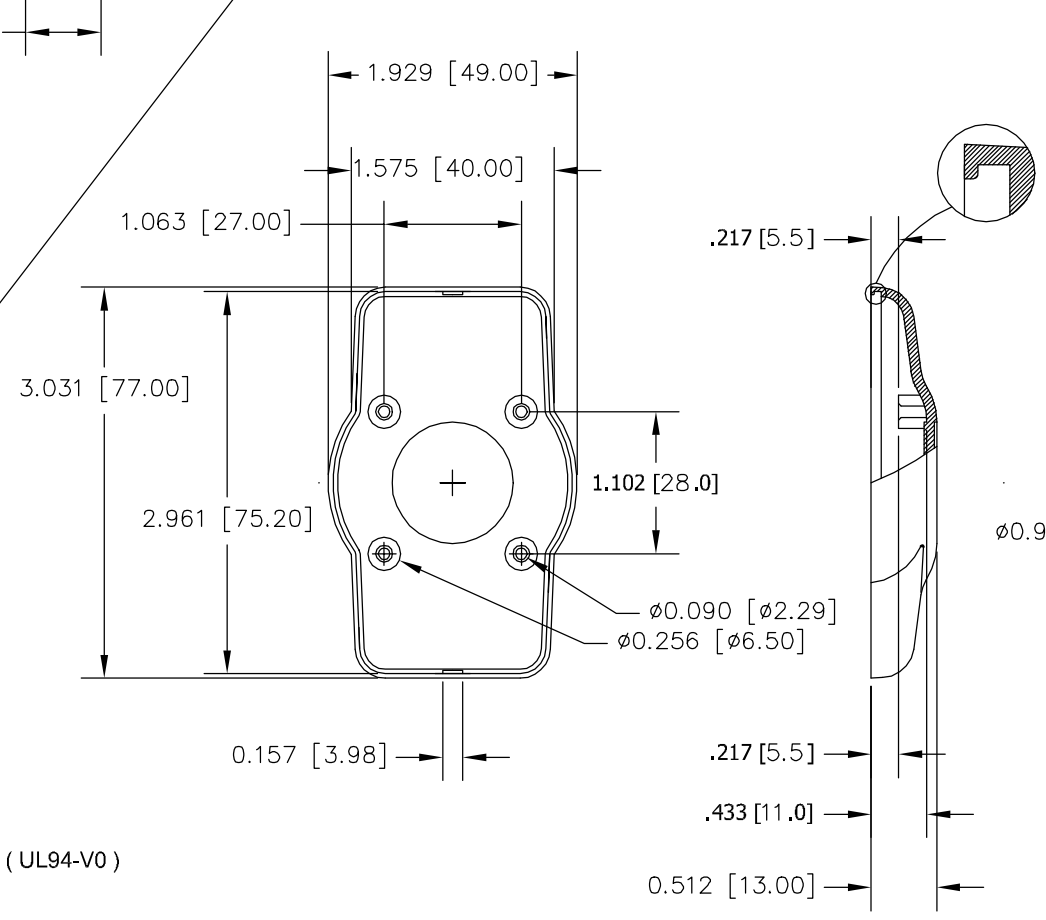
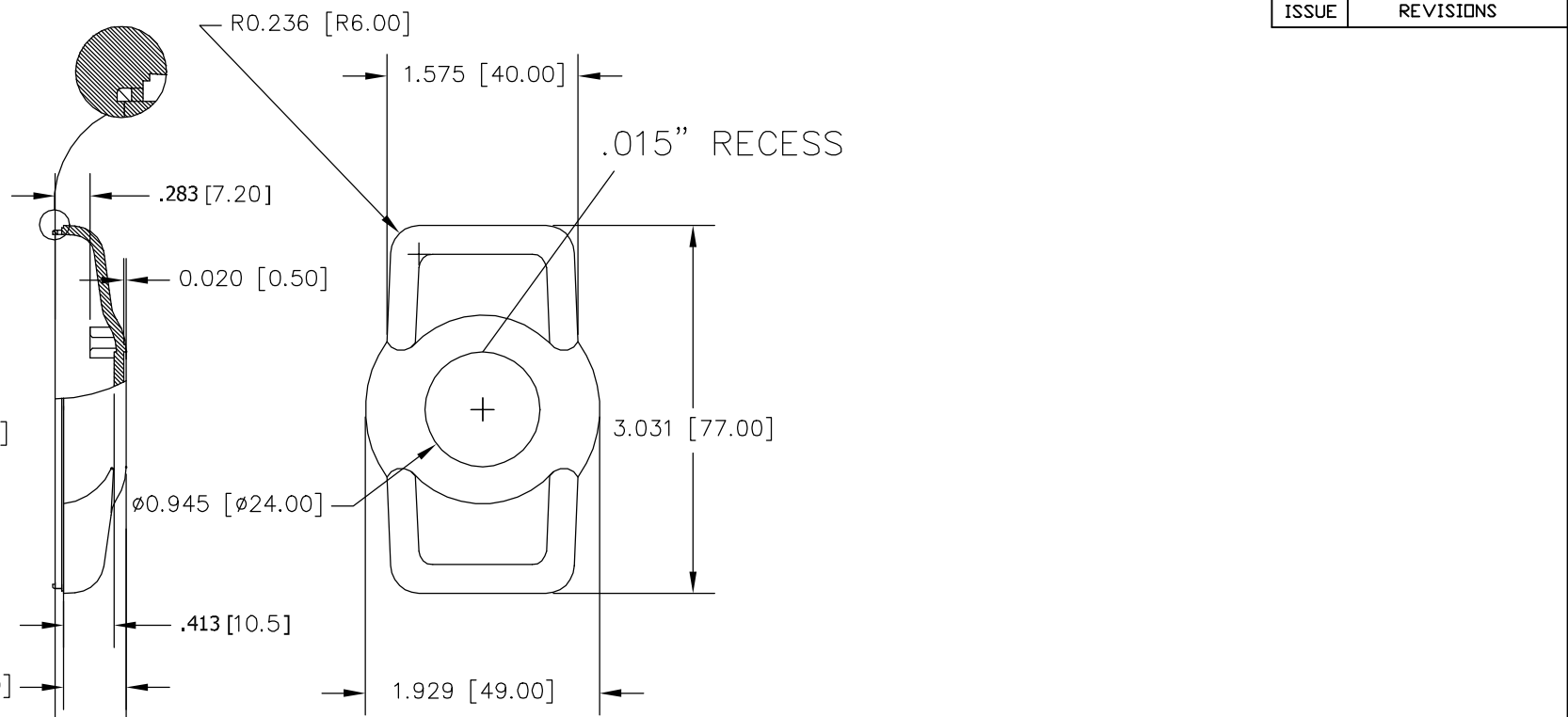
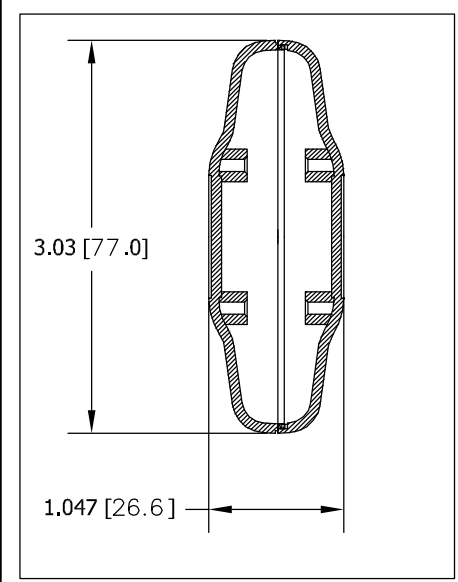


LID



BASE



MATERIAL : FLAME RETARDANT OF ABS (UL94-V0)
 COLOR: BLACK
 FINISH:
 SHELL EXTERIOR SURFACES ARE TEXTURED.
 RECESSED AREAS ON EXTERIOR ARE SMOOTH.
 FOUR (4) INTERNAL BOSSES ON BASE & LID ARE
 AVAILABLE FOR PCB ASSEMBLY. USE M2.5 OR
 #4 STD SHEET METAL SCREWS.
 ALL DIMENSIONAL TOLERANCES ARE +/-0.15

QTY.	USED ON	TOLERANCES:	ITEM REQ'D.	PART NO.	DESCRIPTION
		±.005 BETWEEN HOLE CENTERS ±.015 FROM SHEARED EDGE ±.032 FROM A BENT SURFACE ±.063 BETWEEN ASSEMBLED SURFACES UNLESS OTHERWISE SPECIFIED	MAT: SEE NOTE FINISH: BLACK DR. RD 10-10-08 CH. APP.	SCALE: BUD BUD INDUSTRIES, INC WILLOUGHBY, OHIO	NAME: HAND-HELD BOX STYLE Q 3.03 X 1.93 X 1.05 DWG. NO. HH-3640