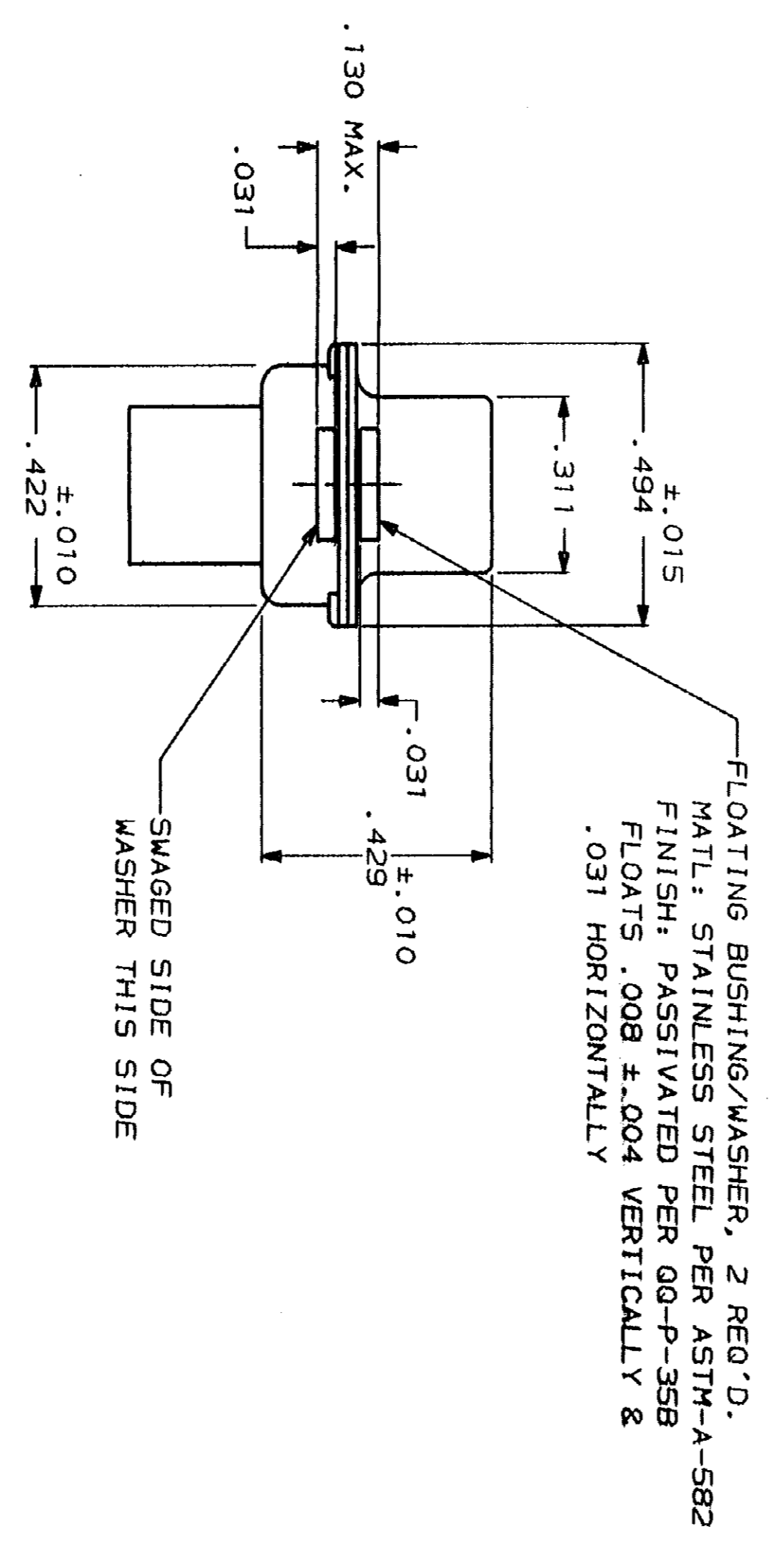
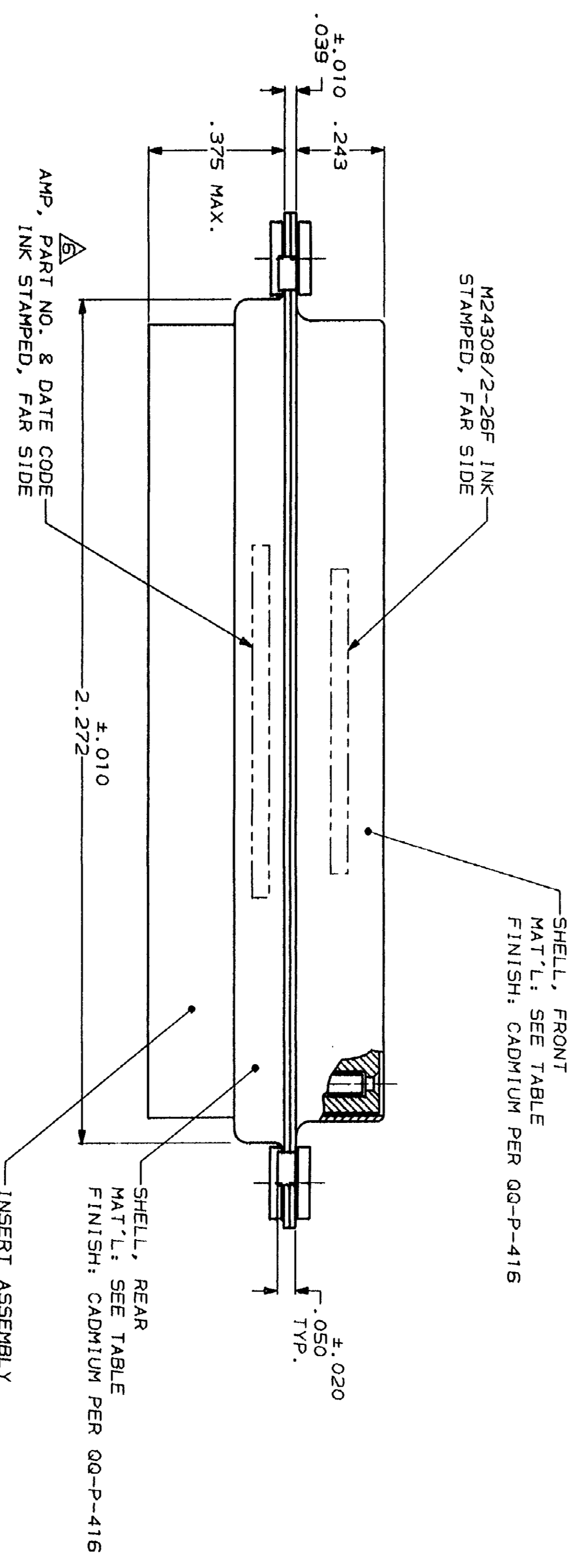
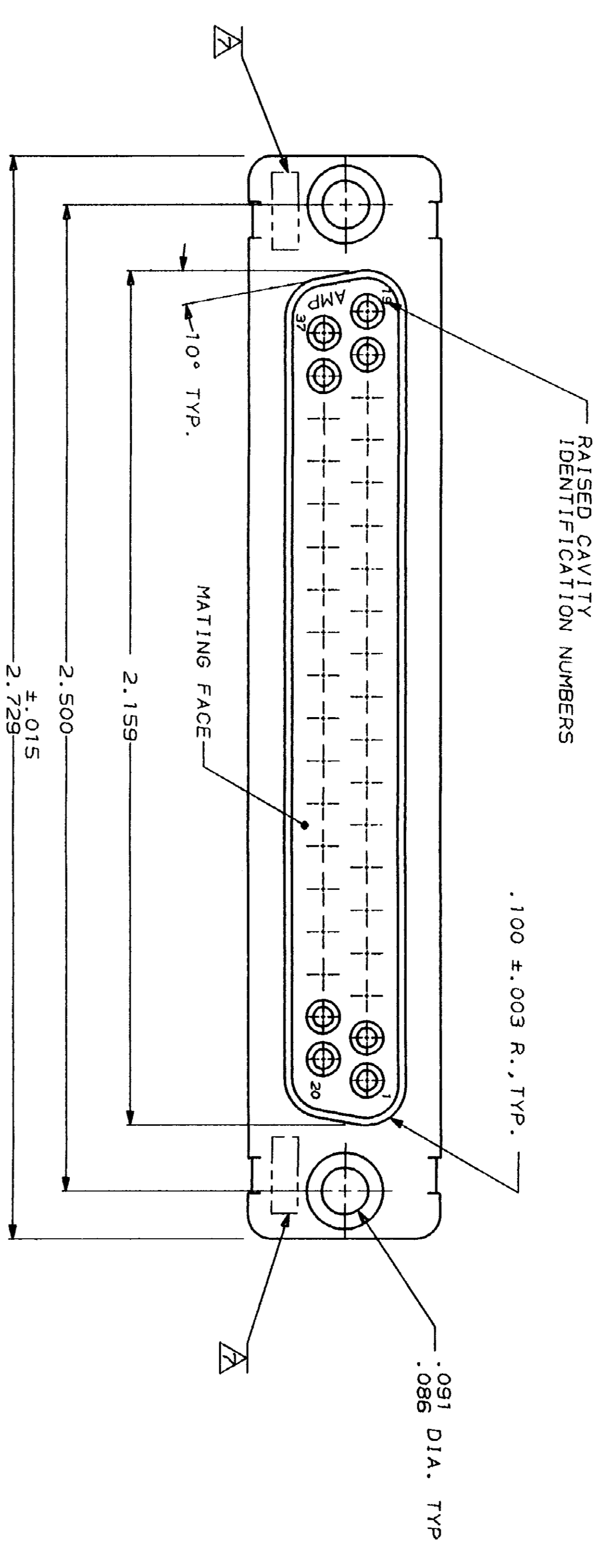


REV	DATE	BY	CHKD	APPD	DESCRIPTION
1	12-9-87	AE			REV & REMOVAL EON DF-0031 & DF-0160
2	87				CC1
3					REV EON DF-1034
4					REV EON DF-3928



1. THIS RCPT. IS DESIGNED TO CONFORM TO THE LATEST ISSUE OF MIL-C-24308
2. MAX WIRE INSUL TO BE USED WITH THIS RCPT IS .068 DIA
3. STAINLESS STEEL RETENTION CLIPS ARE INCLUDED IN INSERTS
4. PACKAGE STAMPED M24308/2-295F
5. THIS RCPT. WILL ACCEPT SIZE 20 SOCKET CONTACT M24308/10 OR AMP # 205090

AMP PART NO. STAMPED ON CONNECTOR REPRESENTS KIT NUMBER WITH CONTACTS

UL/CSA DESIGNATION STAMPED IN THIS AREA, OPTIONAL

DR 12-9-87 C.C. THOMAS	OR 12-9-87 C.C. THOMAS	NAME AMP INCORPORATED AMP Bldg. 9, Pa. 17106
CHK 12-10-87 F.C. BAILEY III	APPD 12-10-87 F.C. BAILEY III	AMP LIMITED RCPT. FOR SOCKET CONTACTS HI-DENSITY "HDM-20" CONNECTOR SIZE 4 (37 POSN) SERIES 109 WITH FLOAT BUSHINGS
3 PLC DEC # .005 D.J.M.	APPD 12-10-87 D.J.M.	SIZE D 00779
PRODUCT SPEC	APPLICATION SPEC	SCALE 4:1
FINISH SEE CALLOUTS	WEIGHT	SHEET 1 OF 1

OBSOLETE

BRASS	205419-2
STEEL PER ASTM-A-109	205419-1
SHELL MAT'L	PART NO