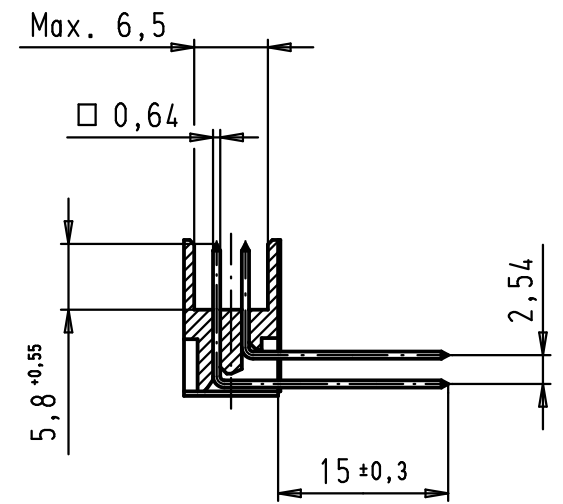
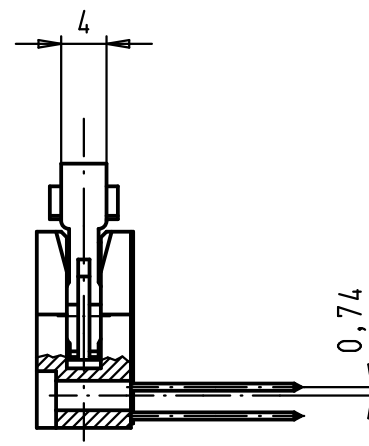
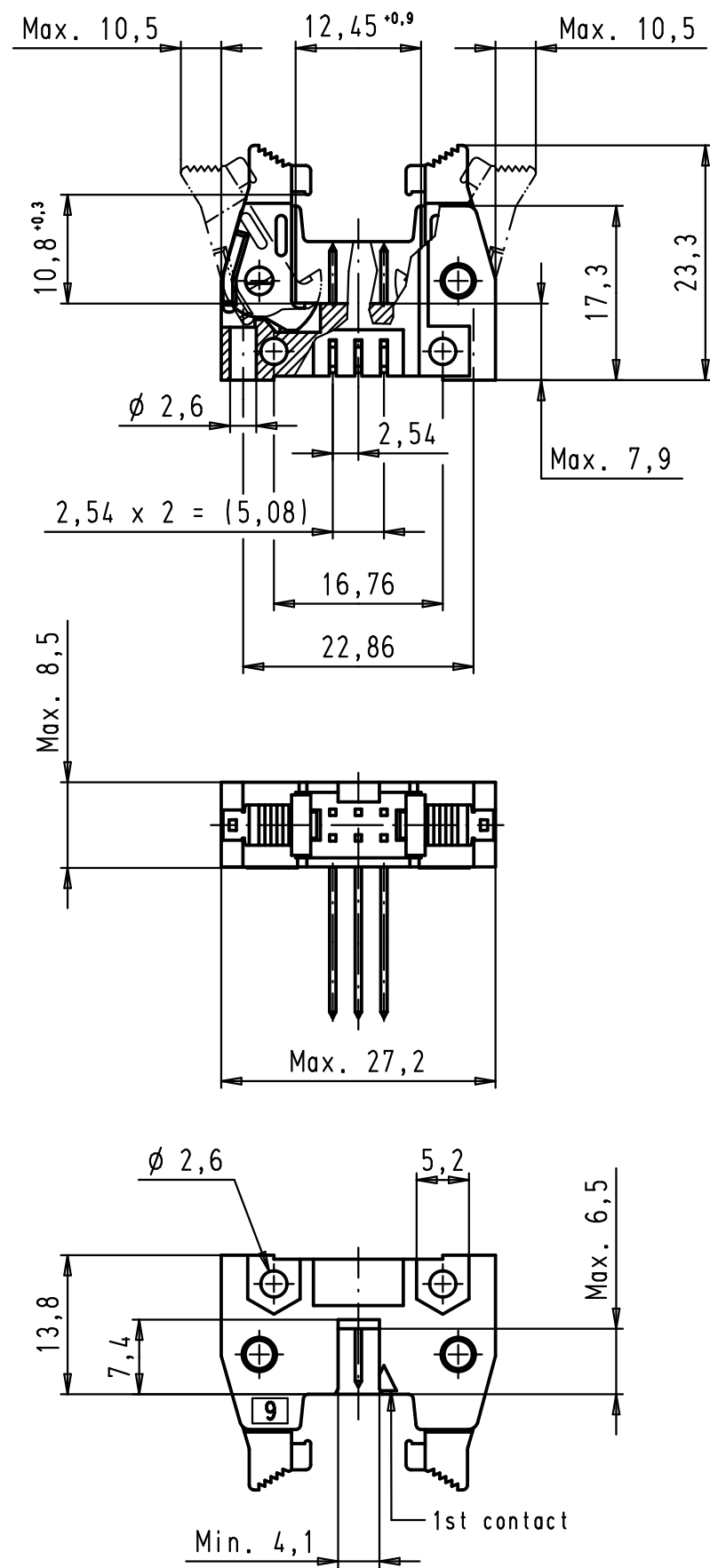
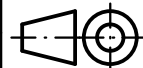



Alle Rechte vorbehalten/ All rights reserved



09 18 506 7916	3
09 18 506 6916	2
09 18 506 5916	0,76 μm Au
Part number	Performance level

			Det.	Name	 All Dim. in mm Orig. Size DIN A 3	SEK 18 Male Connector Standard 06 poles Angled wrap posts Short locking levers	Maßstab/ Scale 1,5:1
		Detail.	19/09/02	CV			
		Insp.					
		Stand.					
34890	13/06/08	PK	HARTING EURL			TB 09 18 506 X916	Blatt/ Page 1 / 1
31092	19/09/02	CV	F-95972 Paris				
Mod.	Det.	Name					
						Sub.	