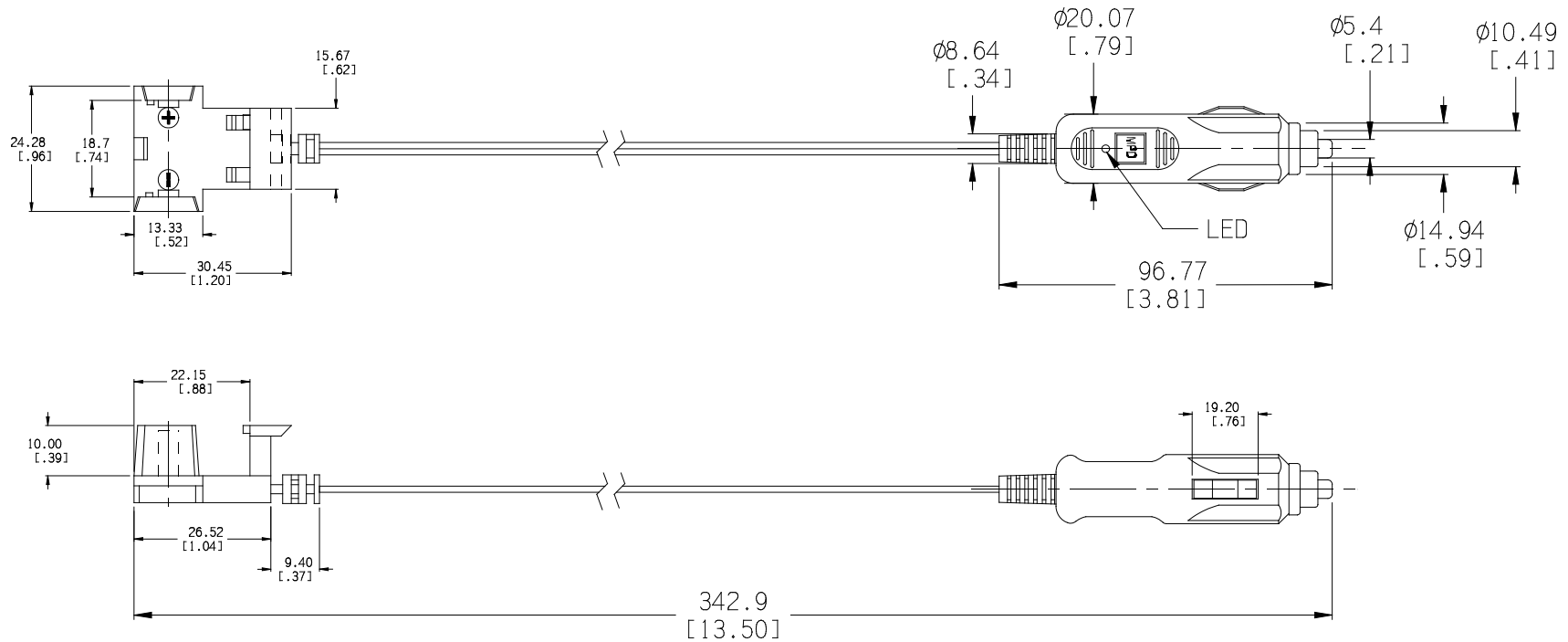



Date	SYM	REVISION RECORD	AUTH	DR.	CK.
11/02/07	A	Added "ROHS COMPLIANT"	T.B.	B.S.	



NOTE:
ROHS COMPLIANT

BILL OF MATERIAL			Tolerance (Inches)	 Memory Protection Devices, Inc. 200 Broad Hollow Road, Farmingdale, New York 11735	
PART #	QTY.	DESCRIPTION			
APP-001	1	CIGARETTE PLUG FOR 21 OR 22.2mm DIA. SOCKETS	Decimal	Scale Drawn By B.S. Approved By T.B.	
ZA5350B	1	LEAD ACID BATTERY CLIP	±.5 (.020)		
FUSE	1	3AG (6.35 x 30mm), 2 AMP.	Fractional	Title LEAD ACID BATTERY CLIP TO CIGARETTE PLUG, 2 AMP. FUSE, RED LED	
CORD	1	UL AWM 2468, 24 AWG (22 AWG), 85°C,	± .8 (.030)		
			Angular	Date	Drawing Number
			± 3°	11/02/07	ZA5076