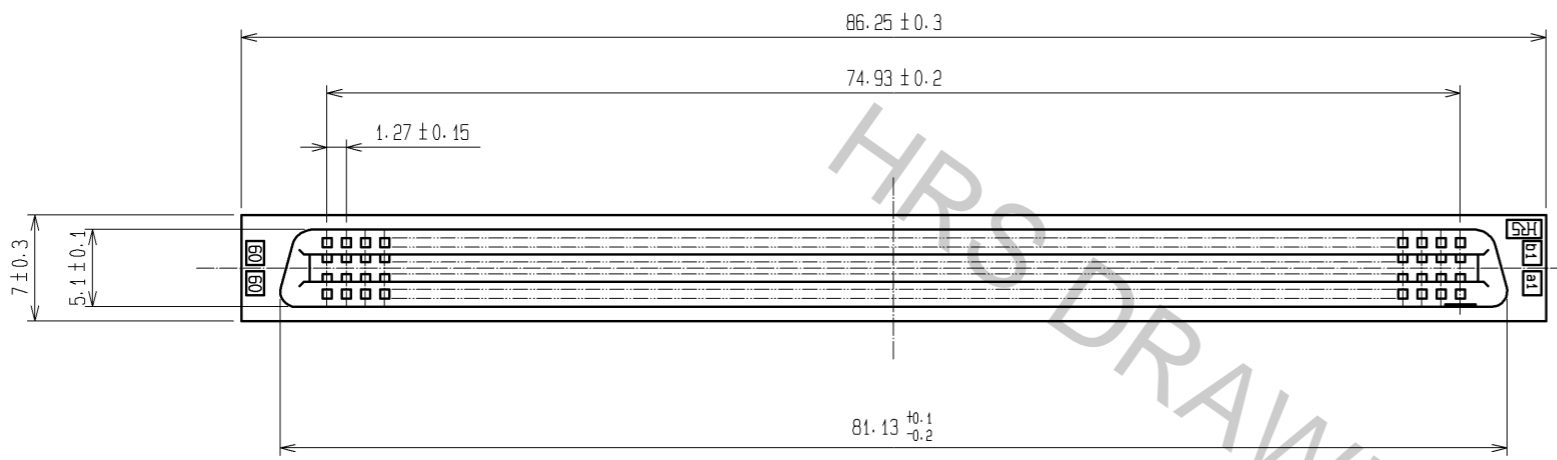
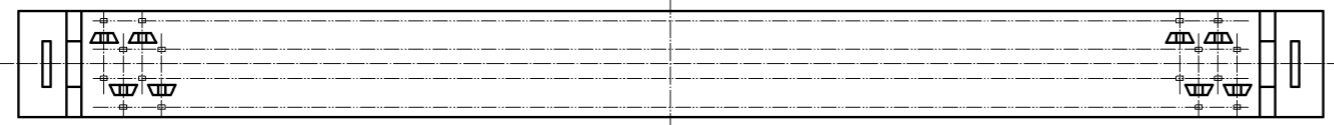
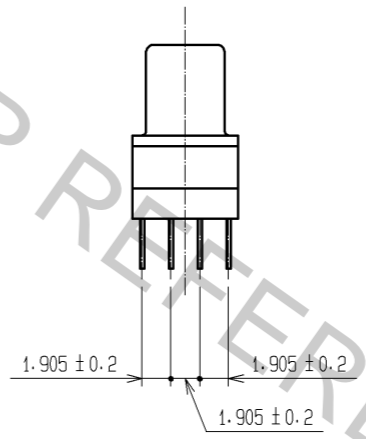
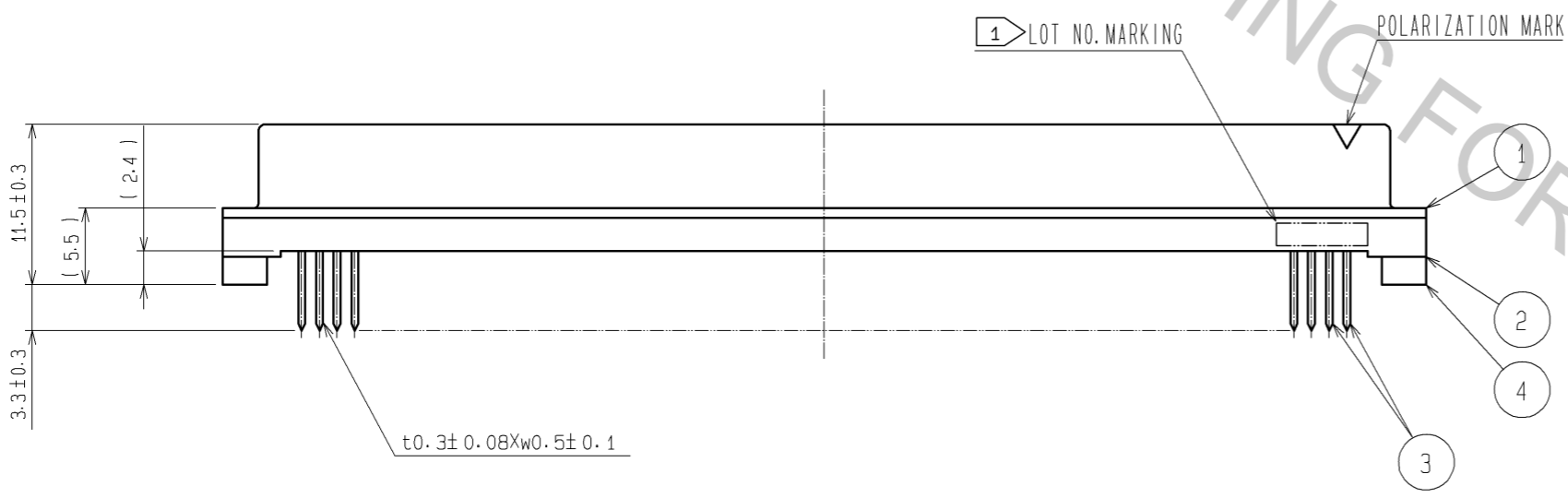
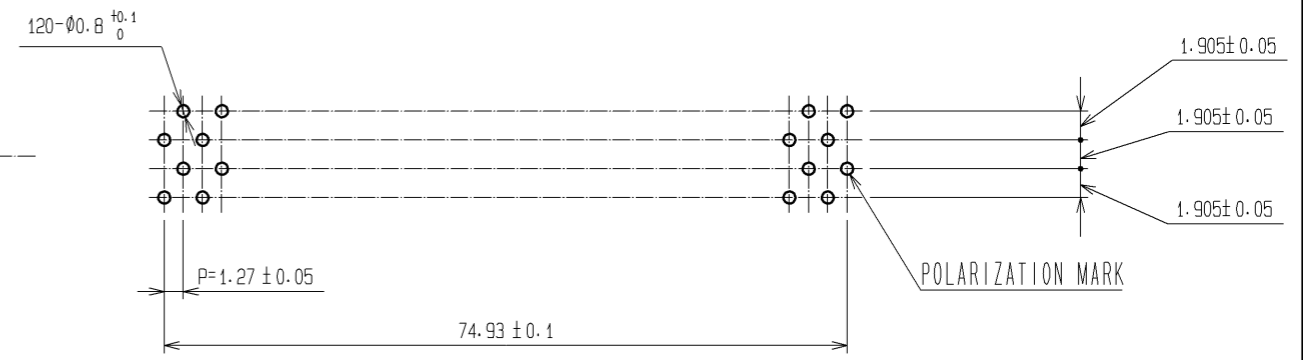


Apr.1.2017 Copyright 2017 HIROSE ELECTRIC CO., LTD. All Rights Reserved.



RECOMMENDED PC BOARD HOLE PATTERN (MOUNTING SIDE)
(FREE) t=1.6



NOTES 1. LOT NO. MARKING SIDE SHALL BE OPTIONAL.
2. THE DIMENSIONS IN PARENTHESES ARE FOR REFERENCE.

1. 2. 4 POLYAMIDE		BLACK, UL94V-0		3	PHOSPHOR BRONZE	CONTACT AREA : GOLD 0.2 μm min.		
NO. MATERIAL		FINISH, REMARKS				DIP AREA : TIN-PLATING 2 μm min.		
						UNDER PLATING : NICKEL 2 μm min.		
UNITS mm		SCALE 2 : 1	COUNT △	DESCRIPTION OF REVISIONS		DESIGNED	CHECKED	DATE
HRS HIROSE ELECTRIC CO., LTD.		APPROVED : HS. OKAWA		07.08.10		DRAWING NO. EDC3-082548-21		
		CHECKED : HS. OZAWA		07.08.10		PART NO. FX2C2-120S-1.27DSA(71)		
		DESIGNED : KY. NAKAMURA		07.08.10		CODE NO. CL572-2429-6-71		
		DRAWN : TP. MATSUMOTO		07.08.09				