

**Ratings**

Voltage: 300 V  
 Operating temperature: -20° to 80 °C

**Conductor**

Gauge: 16 AWG, 1.32 mm<sup>2</sup>  
 Material: tinned copper strands  
 Strand size: Ø 0.254 mm  
 Strand count: 26  
 Max resistance at 20 °C: 14.6 Ω/km

**Insulator**



Material: PVC  
 Color: white  
 Outer diameter: 2.4 ±0.10 mm  
 Min resistance at 20 °C: 10 MΩ/km

**Shield**

Type: spiral  
 Material: tinned copper strands  
 Strand size: Ø 0.12 mm  
 Strand count: 60 ±2

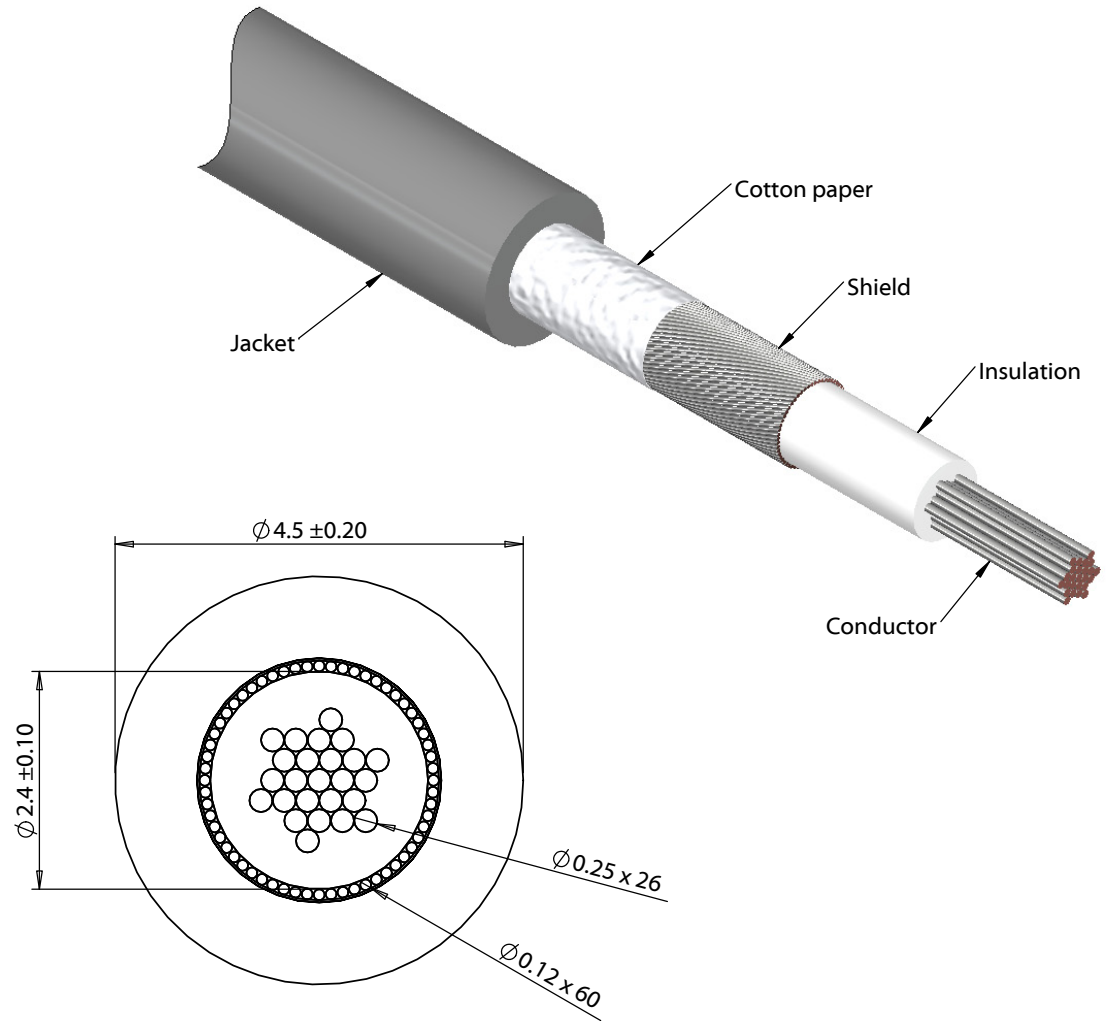
**Outer jacket**

Material: TPU, 80 °C  
 Type: extruded, non-integral  
 Color: gray  
 Diameter: 4.5 ±0.20 mm

**Wire marking:** E339579  AWM STYLE 10846 80°C  
 300V VW-1 --- C  AWM I/II A 80°C 300V FT1 TENSILITY

**Tests**

Voltage test: 300 V  
 Spark test: 3.0 kV  
 Tensile strength: 1.05 kgf/mm<sup>2</sup>  
 After aging at 113 ±2 °C for 7 days:  
     Minimum tensile strength 70 % original  
     Minimum elongation 65 % original  
 Heat shock: 121 ±1 °C /1 hour, no observed degradation  
 Deformation: 121 ±1 °C /1 hour, ≤ 50 %  
 Cold bend: -10 ±1 °C /1 hour, no observed cracking  
 Flammability: FT1, VW-1  
 Dielectric test: 1500 V ac for 1 minute without breakdown



REVISION	DATE	DESCRIPTION
A	9/3/2015	Initial release
A1	9/14/2015	Upgraded fire rating to VW-1/ FT1
A2	3/10/2016	Updated operating temperature range

PREPARED:

VERIFIED:

DIMENSIONS ARE IN MILLIMETERS

TOLERANCES:  
 X: ± 0.5 mm  
 X.X: ± 0.3 mm  
 X.XX: ± 0.05 mm

NOTES  
 RoHS and REACH compliant

Function test: no open, no short circuit, no intermittent

Drawing in third angle projected

DESCRIPTION:  
 Wire, 1C TS, 16 AWG, UL10846, 300V, 80C, 4.5 mm, shielded, VW-1, TPU, gray

**TENSILITY**

20802 Sockeye Place #130  
 Bend, OR 97701 USA  
 tel 541.323.3228 fax 541.323.4202  
 800 877.670.7118 www.tensility.com

SIZE A	PART NUMBER 30-00557
SCALE: 12:1	SHEET 1 OF 1