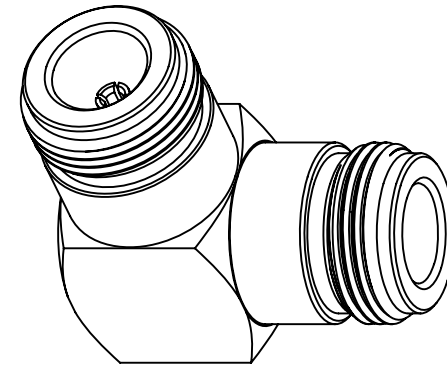
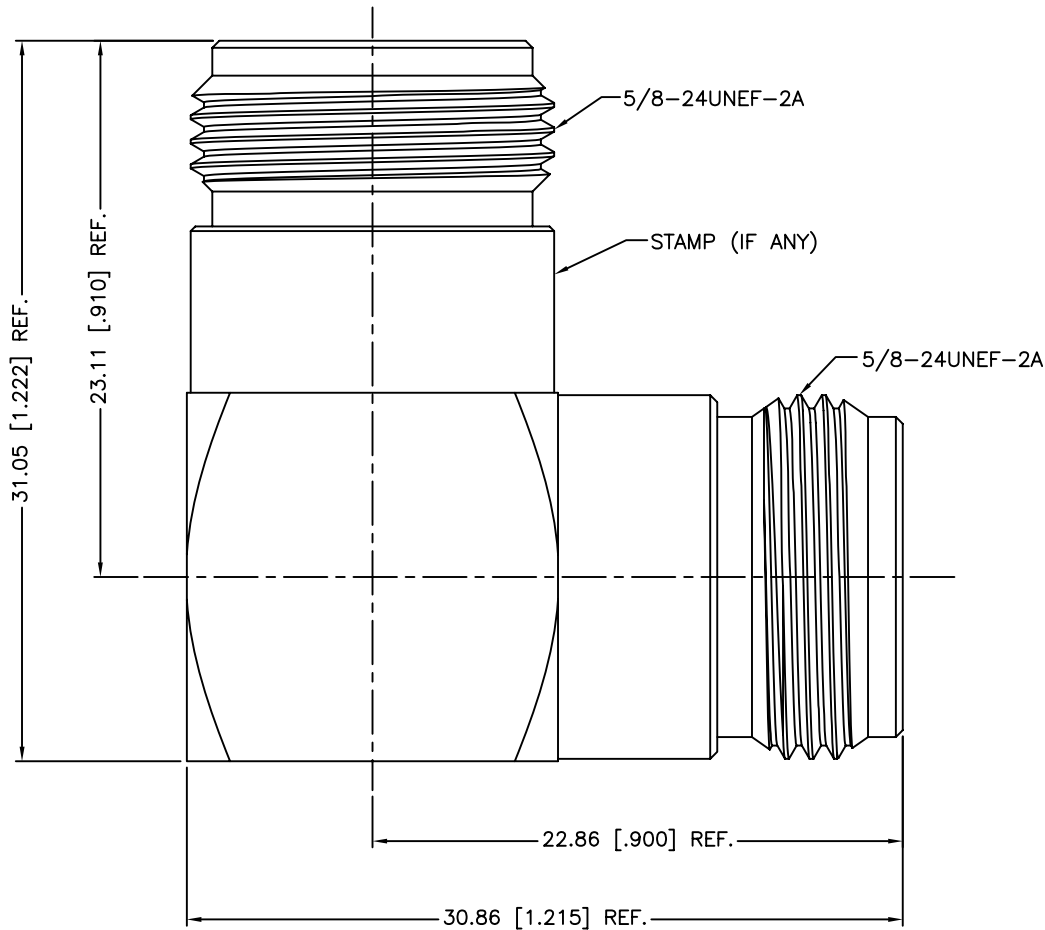


REV.	DATE	ECR NO.	DESCRIPTION
NC	12/01/11	XXXXXX	INITIAL RELEASE



1. IMPEDANCE: 50 OHM
2. FREQUENCY RANGE: DC 0 - 11 GHz
3. DIELECTRIC WITHSTANDING VOLTAGE: 2500 VRMS, MIN.
4. DURABILITY: 500 CYCLES MIN.
5. TEMPERATURE RANGE: -65°C TO +165°C

<small>UNLESS OTHERWISE SPECIFIED DIMENSIONS ARE IN MILLIMETERS. DIMENSIONS IN [] ARE IN INCHES AND FOR CUSTOMER REFERENCE ONLY.</small> <small>UNLESS OTHERWISE SPECIFIED TOLERANCES FOR MILLIMETERS ARE:</small> 0.5 - 8mm ± 0.20mm 8 - 30mm ± 0.40mm 30 - 120mm ± 0.50mm <small>UNLESS OTHERWISE SPECIFIED TOLERANCES FOR INCHES ARE:</small> .020 - .315 = ± 0.007" .315 - 1.180 = ± 0.015" 1.180 - 4.724 = ± 0.020" DO NOT SCALE DRAWING	APPROVALS	DATE
	DRAWN M.ZHANG	12/01/11
	CHECKED	
	ISSUED	
	SHEET 1 OF 1	
CAD FILE	C:/CONNEX/172365.DWG	

Amphenol Connex

PART DESCRIPTION			
N FEMALE TO FEMALE R/A ADAPTER			
PART NO.		172365	
DWG. NO.	172365.DWG	REV.	NC
SIZE	A	SCALE	NA

QTY	FINISH	MATERIAL	DESCRIPTION
1	NEXCOTE	BRASS	BODY
1	NATURAL	PTFE	INSULATOR
1	GOLD	PHOSPHOR BRONZE	CONTACT PIN