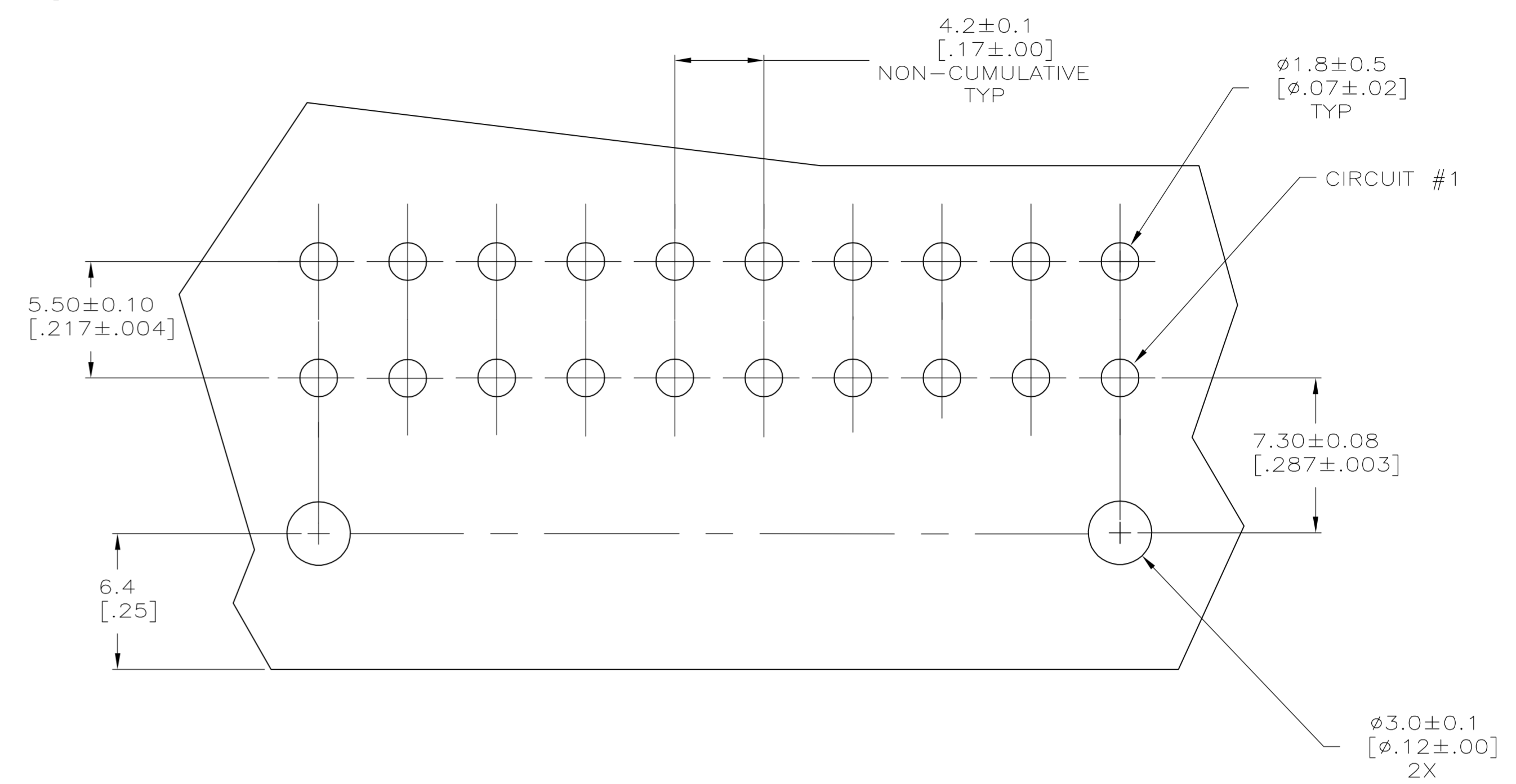
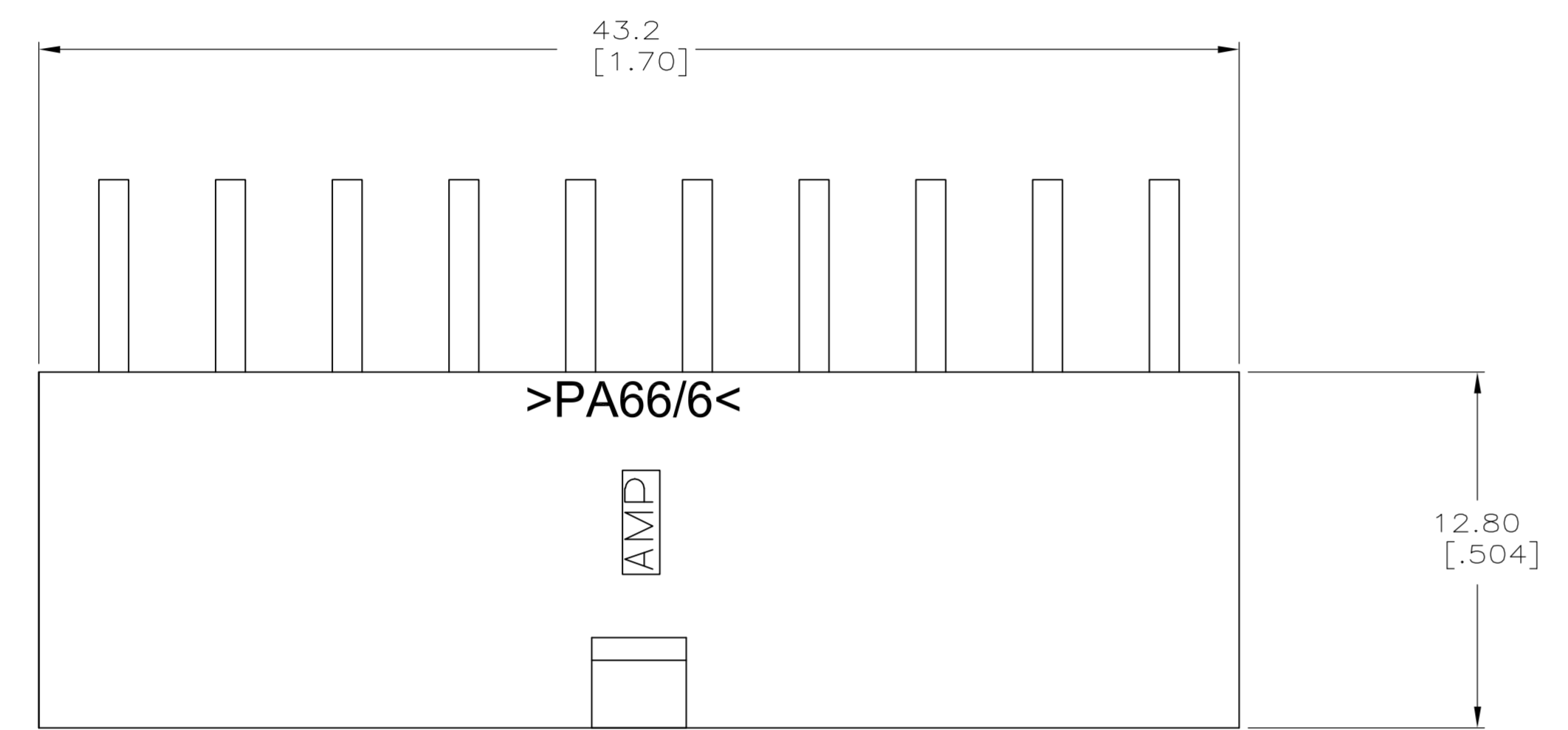
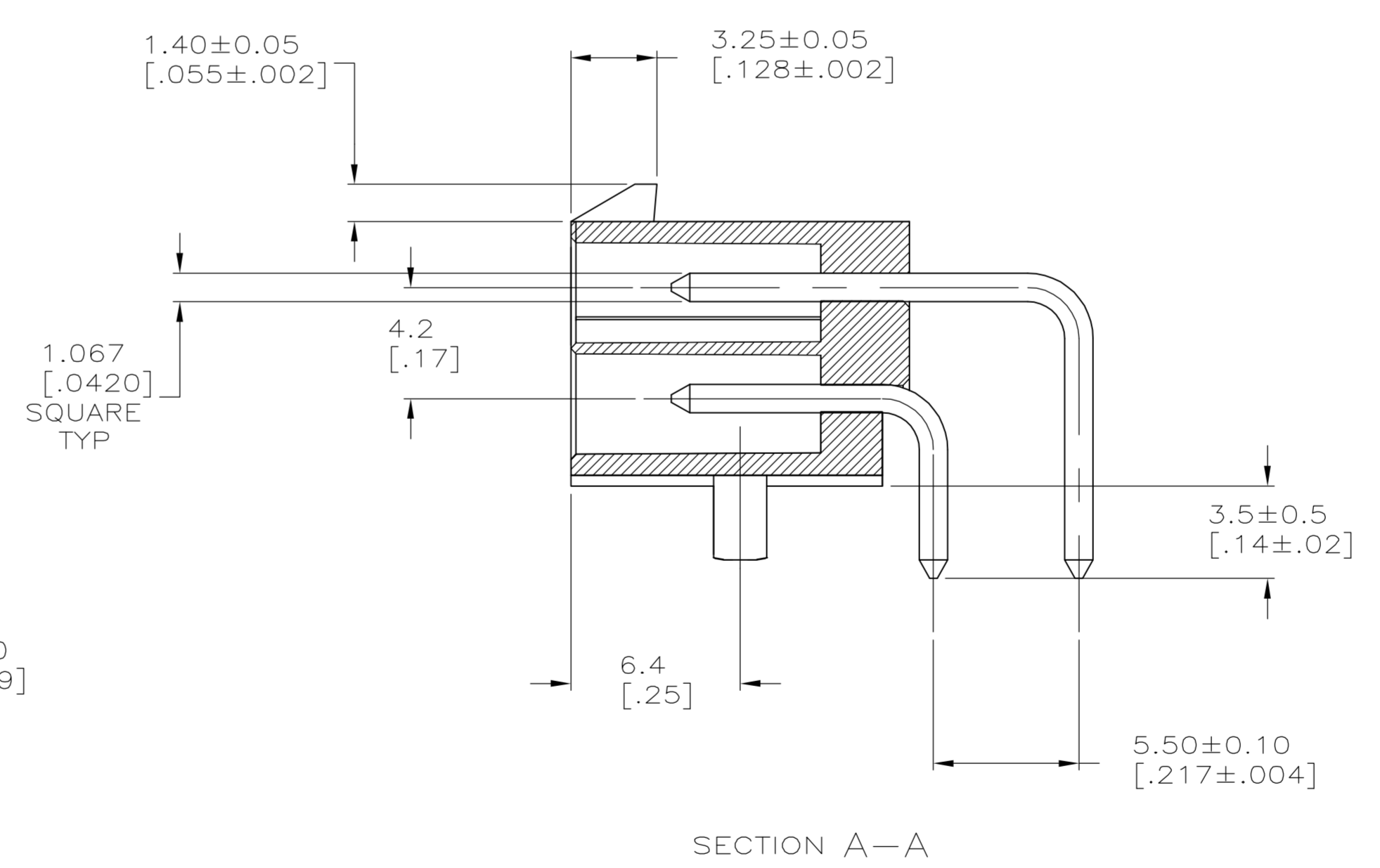
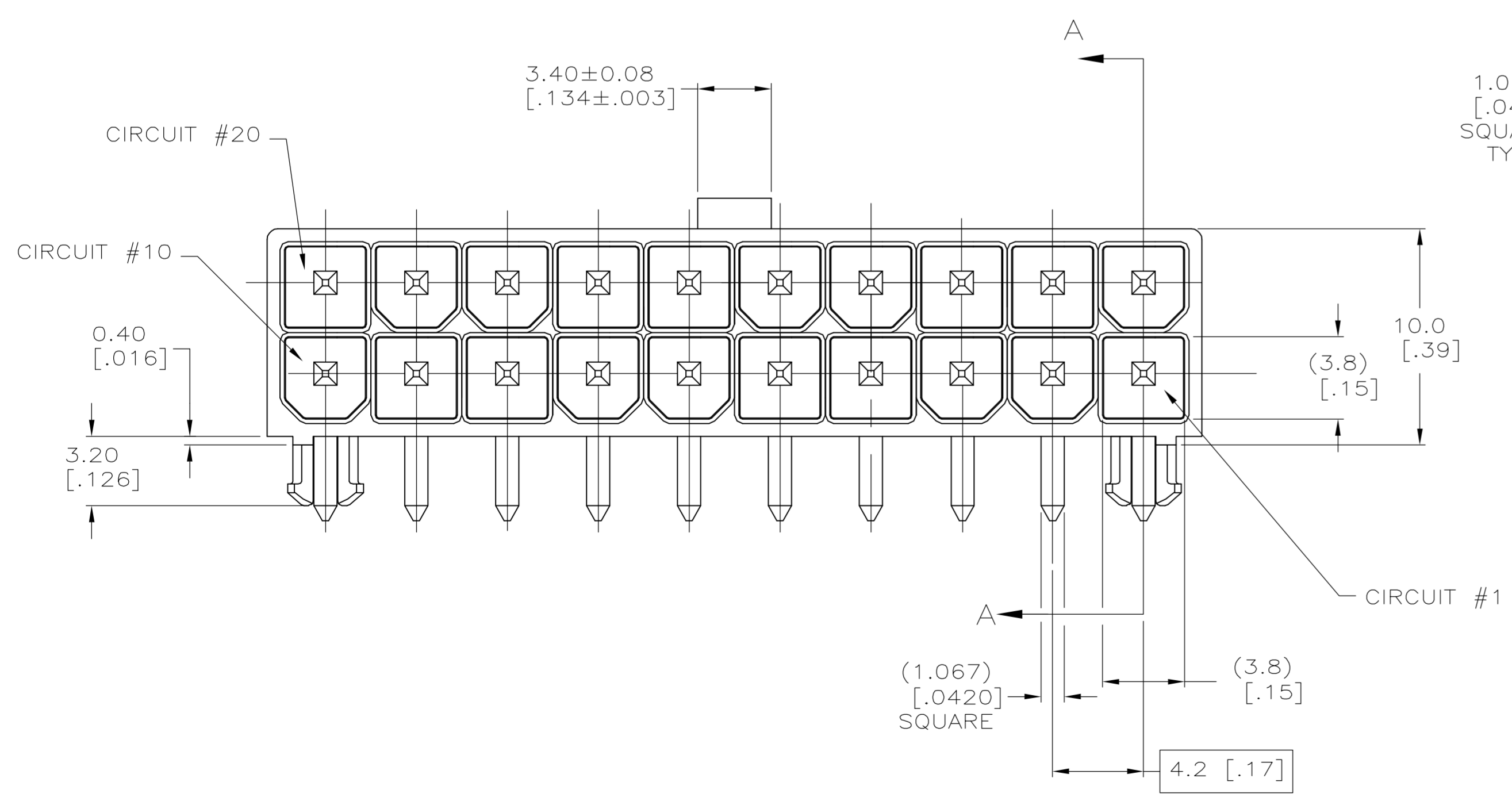


LOC		DIST		REVISIONS			
P	LTR	DESCRIPTION	DATE	DWN	APVD		
C		REVISED PER ECO-06-014772	13NOV06	KW	DC		

- 1 MATERIAL: HOUSING - NYLON, UL94V-0 (COLOR - WHITE).
PIN - 1.067mm² [.0017in²] COPPER ALLOY.
- 2 PINS TO COMPLY WITH SOLDERABILITY SPEC 109-11-3.
- 3 0.00381 [.000150] MINIMUM TIN LEAD OVER 0.00127 [.000050] MINIMUM NICKEL, ENTIRE LENGTH OF PIN.
- 4 NOTE DELETED.
- 5 0.00381 [.000150] MINIMUM TIN OVER 0.00127 [.000050] MINIMUM NICKEL, ENTIRE LENGTH OF PIN.



RECOMMENDED MOUNTING HOLE PATTERN FOR 1.78 [.070] MAX THICK P.C. BOARD COMPONENT SIDE SHOWN



SUPERSEDED BY 1-794534-1

1	5	1	1	1-794534-1
1	3	1	1	794534-1
MATERIAL		FINISH		ASSEMBLY
PIN		HOUSING		

METRIC

THIS DRAWING IS A CONTROLLED DOCUMENT.

DIMENSIONS:	TOLERANCES UNLESS OTHERWISE SPECIFIED:	DWN S. HOOVER 02-MAR-2005	tyco Tyco Electronics Corporation Harrisburg, Pa 17105-3608
mm [INCHES]	0 PLC ± 0.2 [0.1]	CHK D. COLEY 02-MAR-2005	
	1 PLC ± 0.13 [0.005]	APVD D. COLEY 02-MAR-2005	NAME
	2 PLC ± 0.13 [0.005]		ASSEMBLY, HEADER, RIGHT ANGLE, 20 POSITION, W/PEGS, 94V-0, AMP-DUAC(TM) POWER CONNECTOR
	3 PLC ± 0.13 [0.005]		PRODUCT SPEC
	4 PLC ± 0.13 [0.005]		108-1646
	ANGLES ± 0° 30'		APPLICATION SPEC
MATERIAL SEE CHART	FINISH SEE CHART	SIZE CASE CODE DRAWING NO	RESTRICTED TO
		114-6067	A1 00779 ©=794534
		WEIGHT	CUSTOMER DRAWING
		SCALE	5:1
		SHEET	1 OF 1
		REV	C