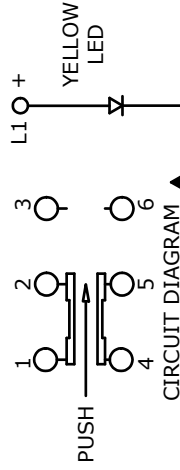
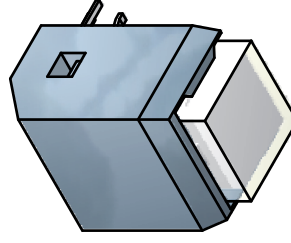
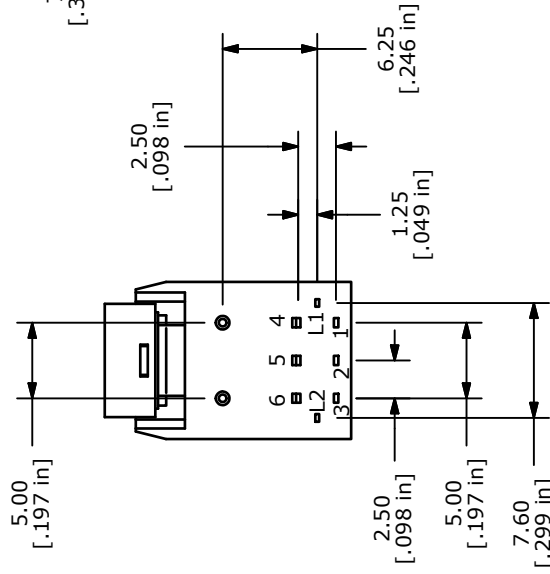
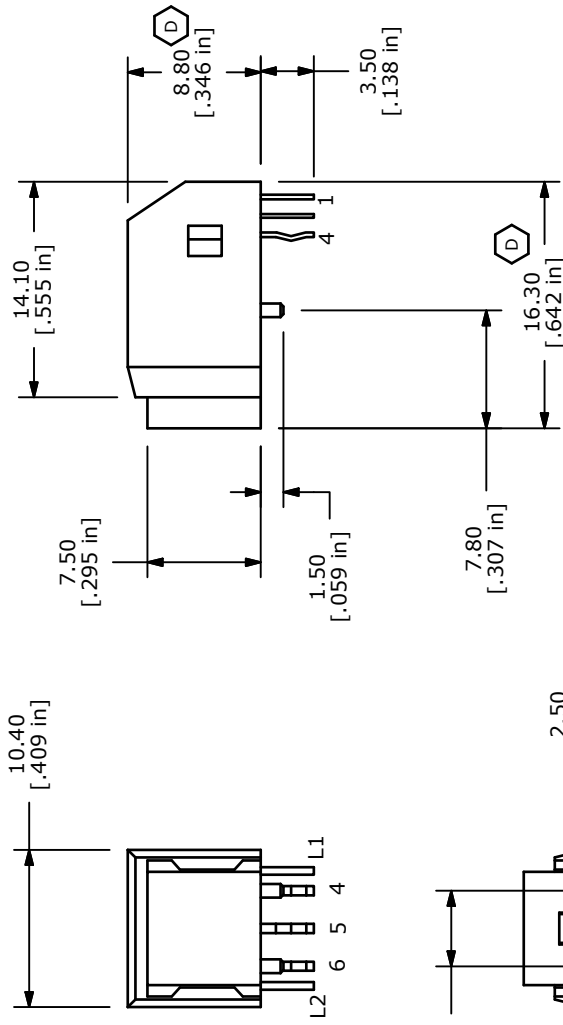


PCB LAYOUT



NOTES:

1. ALL DIMENSIONS IN MM [INCH]
2. GENERAL TOLERANCE: X.X=±0.4
X.XX=±0.25
3. TERMINAL NUMBERS FOR REF ONLY
4. CONTACT RATING: CURRENT: 100mA
VOLTAGE: 30 VDC
5. OPERATING LIFE: 50,000 MAKE-AND-BREAK CYCLES
6. INSULATION RESISTANCE: 500VDC, 100M OHM. MIN.
7. OPERATING FORCE: 250gf ± 100 GRAMS
8. OPERATING TEMP.: -20°C to 70°C
- ▲ 9. TRAVEL: MOMENTARY
1.50 ± 0.3mm FULL TRAVEL
10. CONTACT RESISTANCE: 50 m OHM. MAX.
11. ▲ DENOTES CRITICAL PARAMETER.
12. 2002/95/EC (ROHS) COMPLIANT
- ▲ 13. LED COLOR: YELLOW



| LED SPECS | UNITS | YELLOW |
|---------------------------|-------|---------|
| FORWARD CURRENT | mA | 20 |
| FORWARD VOLTAGE @20mA | V | 1.7-2.4 |
| LUMINOUS INTENSITY @ 10mA | MCD | 350 TYP |



E-SWITCH™

TITLE LP40A1RBATY

| REV | PCR NO | DESCRIPTION | DATE | BY |
|-----|--------|------------------------------|----------|-----|
| D | 19603 | DRAWING UPDATE | 1/19/10 | BGL |
| C | 19513 | CORRECT DIM / UPDATE DRAWING | 12/10/10 | BMA |
| B | 19100 | revised to crimped terminals | 5/25/10 | rc |
| A | 19062 | RELEASE FOR PRODUCTION | 5/18/10 | rc |

THE INFORMATION CONTAINED IN THIS DOCUMENT IS PROPRIETARY TO E-SWITCH AND IS NOT TO BE COPIED OR TRANSFERRED

| | | | | | | | | | |
|-------|-------|------|-----------|----|----|-----|---------|-----|---|
| SCALE | 2 = 1 | DATE | 5/18/2010 | DR | rc | DWG | B240039 | REV | D |
|-------|-------|------|-----------|----|----|-----|---------|-----|---|