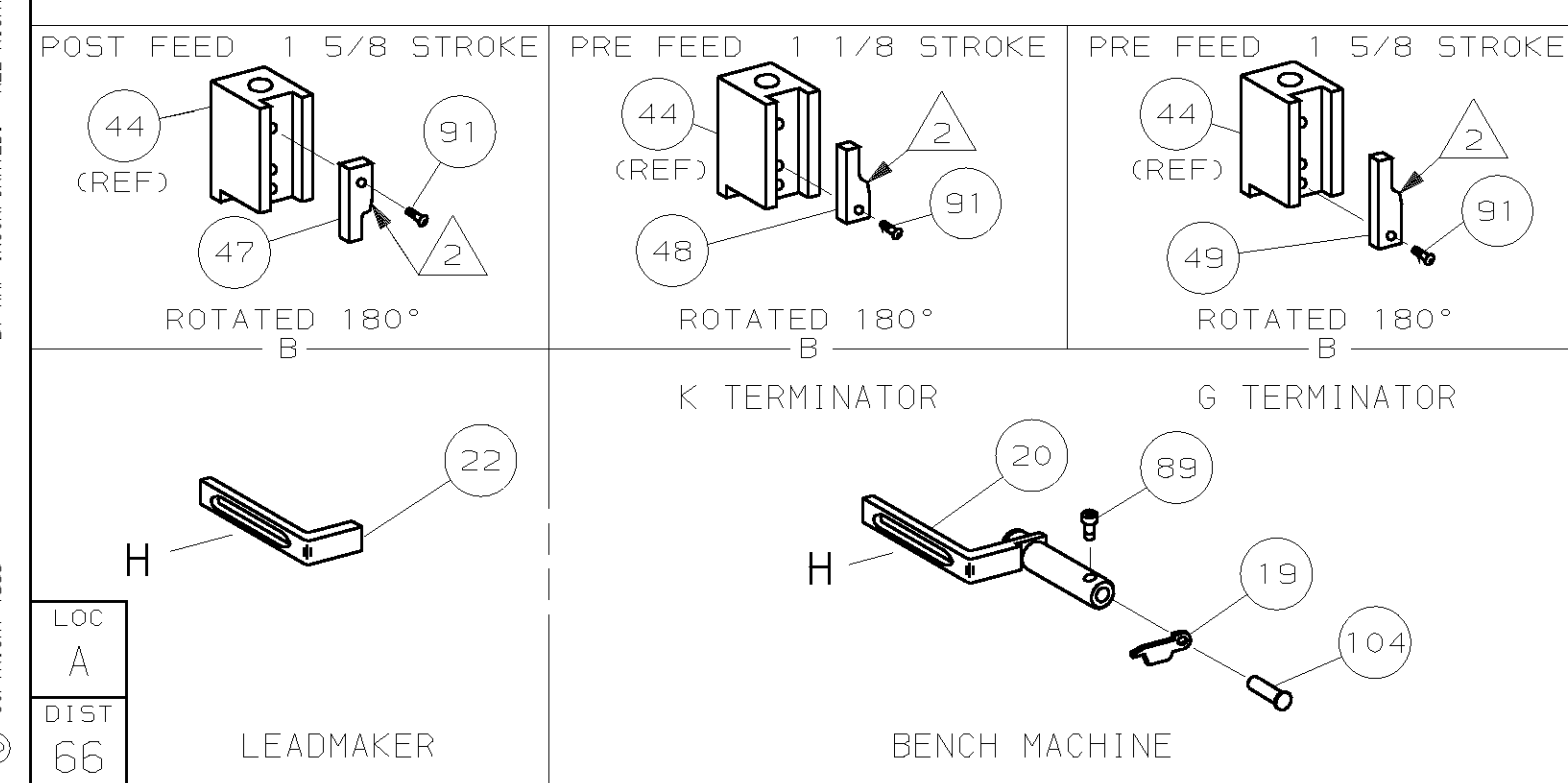
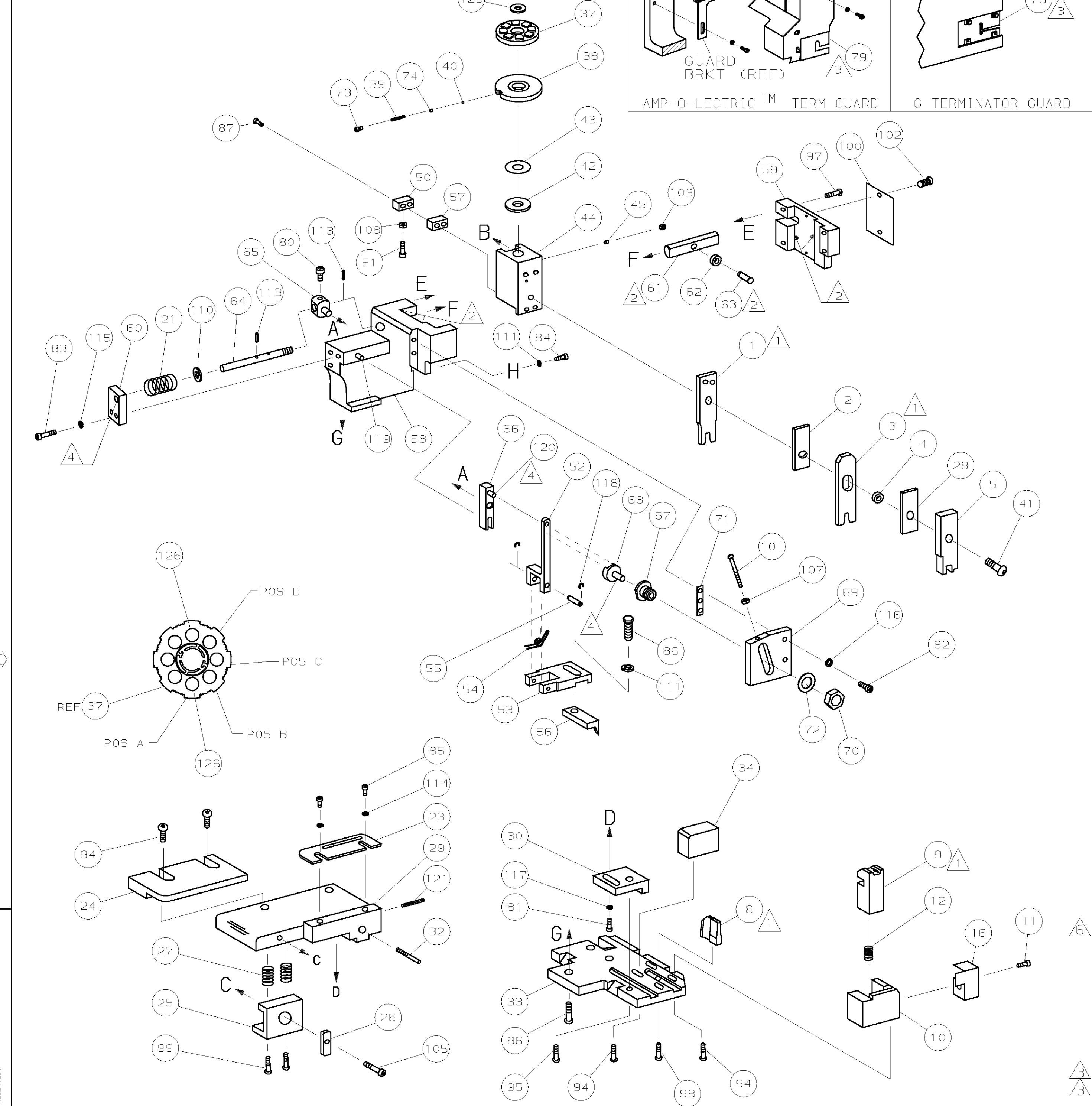


PART NUMBER	REV	FIRST USED
1385252-1	A	122500-1
1385252-2	A	565435-5
1385252-3	A	354500-1



- ① RECOMMENDED SPARE PARTS.
- ② GREASE LIGHTLY.
- ③ GUARD MUST BE IN PLACE WHEN OPERATING APPLICATOR IN A BENCH MACHINE.
- ④ LUBRICATE DAILY USING NO. 20 MACHINE OIL.
- ⑤ ITEMS WITH QTY OF REF SPECIFIED (EXCEPT ITEMS 78 AND 79) ARE USED ON ITEM 46.
- ⑥ CUT TO LENGTH AT ASSY

TERMINAL NAME: TERMINAL, TAB			
1438234-3			
PAD LTR		CRIMP HEIGHT	WIRE SIZE
A		.060 ±.002 [1.52 ±0.05mm]	0.5mm ²
B		NOT	USED
C		NOT	USED
D		NOT	USED
CRIMP	SIZE	TYPE	RANGE
WIRE	.096 [2.44mm]	F	0.5mm ²
INSUL	.110 [2.79mm]	0	φ.080 MAX

QTY	REF	REF	REF	U/M	DWG SIZE	PART NO	DESCRIPTION	ITEM NO
1	1	1	-	A		4-21028-0	PIN, SLT SPR (φ.093x.75) ST GDE PL	121
REF	REF	REF	-	A		1-21030-1	PIN, DOWEL (φ.187x.50) LEVER	120
REF	REF	REF	-	A		1-21030-6	PIN, DOWEL (φ.187x1.25) HOUSING	119
REF	REF	REF	-	A		21045-3	RING, RET "C" (φ.187) FD FING PIN	118
1	1	1	-	A		21024-5	WASHER, LOCK (#10) ADJ BLK	117
REF	REF	REF	-	A		21024-5	WASHER, LOCK (#10) ADJ PLATE	116
REF	REF	REF	-	A		21024-5	WASHER, LOCK (#10) FEED GDE ROD	115
2	2	2	-	A		21024-2	WASHER, LOCK (#4) FRONT STP GUIDE	114
REF	REF	REF	-	A		5-21028-1	PIN, SLT SPR (φ.125x.50) ADJ ROD	113
								112
2	2	2	-	A		21024-4	WASHER, LOCK (#8) STRIPPER	111
REF	REF	REF	-	A		21899-4	WASHER, FLAT (φ5/16) SCREW ADJ	110
								109
1	1	1	-	A		21018-5	NUT, HEX (NO. 6) HOLDDOWN	108
REF	REF	REF	-	A		21018-5	NUT, HEX (6-32) FEED ADJ	107
								106
1	1	1	-	A		22353-8	SCR, SHLD (φ.187x.25) DRAG LEVER	105
1	1	-	-	A		992031-1	PIN, CLEVIS	104
1	1	1	-	A		21009-2	SCR, SKT SET (1/4-20x.25 LW) RAM	103
2	2	2	-	A		21017-2	SCR, DRIVE (#2x.19) ID PLATE	102
REF	REF	REF	-	A		6-23715-5	SCR, PAN HD (6-32x1.50) FEED ADJ	101
1	1	1	-	B		461264-1	PLATE, IDENTIFICATION	100
2	2	2	-	A		3-21002-0	SCR, BHC (10-32x.88) DRAG	99
1	1	1	-	A		22733-8	SCR, BHC (8-32x.38 LW) ANVIL	98
REF	REF	REF	-	A		2-21002-9	SCR, BHC (10-32x.75) CAP	97
REF	REF	REF	-	A		2-22733-8	SCR, BHC (1/4-20x.62) HOUSING	96
REF	REF	REF	-	A		2-21002-7	SCR, BHC (10-32x.50) 56 ADJ BLOCK	95
6	6	6	-	A		2-21002-2	SCR, BHC (8-32x.50) TERM H DWN	94
								93
								92
								91
1	1	1	-	A		1-21002-7	SCR, BHC (6-32x.38) CAM	90
								89
								88
2	2	2	-	A		3-21000-0	SCR, SHC (8-32x.88) DEP-HOLD	87
1	1	1	-	A		2-22603-0	SCR, HEX HD (8-32x.31) FEED FINGER	86
2	2	2	-	A		1-21000-3	SCR, SHC (4-40x.25) F ST GUIDE	85
1	1	1	-	A		2-21000-7	SCR, SHC (8-32x.50) STRIPPER	84
REF	REF	REF	-	A		3-21000-7	SCR, SHC (10-32x.75) FEED ROD GD	83
REF	REF	REF	-	A		3-21000-6	SCR, SHC (10-32x.62) FD ADJ BLK	82
1	1	1	-	A		3-21000-4	SCR, SHC (10-32x.38) 56 ADJ BL	81
REF	REF	REF	-	A		3-21000-4	SCR, SHC (10-32x.38) PIVOT BLK	80
-	REF	-	-	B		455749-1	GUARD, WINDOW	79
REF	-	-	-	B		679532-1	INSERT, GUARD	78
								77
								76
								75
1	1	1	-	A		690603-1	SPRING, ASSIST	74
1	1	1	-	A		23030-1	SCR, SHC (6-32x.25 SL) INS DISC	73
REF	REF	REF	-	A		458109-1	WASHER, SPECIAL	72
REF	REF	REF	-	A		190517-1	SPACER	71
-3	-2	-1	U/M	DWG SIZE				

LEADMAKER		MECH POST FEED			
-1	BENCH MODEL K	MECH PRE FEED			
-2	BENCH MODEL G	MECH PRE FEED			
REF	REF	REF	-	B	22594-8 NUT, HEX (1/2-20)
REF	REF	REF	-	B	240628-1 PLATE, ADJUSTMENT
REF	REF	REF	-	B	240626-1 SHAFT, PIVOT
REF	REF	REF	-	B	240633-1 BUSHING
REF	REF	REF	-	A	455680-1 LEVER, INTERMEDIATE
REF	REF	REF	-	B	240629-1 BLOCK, PIVOT
REF	REF	REF	-	A	240632-2 SCREW, ADJ FEED ROD
REF	REF	REF	-	B	240659-3 PIN, CAM ROLLER
REF	REF	REF	-	B	240658-1 ROLLER, CAM
REF	REF	REF	-	B	454398-2 ROD, FEED
REF	REF	REF	-	A	454178-1 GUIDE, FEED ROD
REF	REF	REF	-	C	454220-1 CAP, RAM
REF	REF	REF	-	D	454485-1 HOUSING
1	1	1	-	B	2-240641-6 SPACER
1	1	1	-	B	694433-4 PAWL, FEED
REF	REF	REF	-	B	240624-1 PIN, FEED FINGER
REF	REF	REF	-	B	691499-1 SPRING, FEED FINGER
REF	REF	REF	-	B	690541-1 HOLDER, FEED FINGER
REF	REF	REF	-	A	455679-2 LEVER, TERMINAL FEED ARM
1	1	1	-	A	811242-2 BUMPER, HOLDDOWN
1	1	1	-	A	690753-3 SPACER, TONKER
1	-	-	-	B	690602-6 CAM, PRE-FEED 1 5/8 ST
-	1	-	-	B	690602-5 CAM, PRE-FEED 1 1/8 ST
-	-	-	-	B	690501-4 CAM, POST-FEED 1 5/8 ST
1	1	1	-	B	459456-2 APPLICATOR, BASIC (SUBASSY)
1	1	1	-	A	690191-1 PLUG, NYLON
1	1	1	-	C	455673-1 RAM
1	1	1	-	A	690125-1 WASHER, LAMINATED
1	1	1	-	A	690124-1 WASHER, RAM
1	1	1	-	A	7-21002-9 BOLT, CRIMPER (5/16x1.00)
1	1	1	-	A	23241-6 BALL, STEEL
1	1	1	-	A	690170-1 SPRING, COMPRESSION
1	1	1	-	C	690142-1 DISC, INSULATION
1	1	1	-	D	354777-1 WIRE DISC, PLASTIC
1	1	1	-	A	22480-5 WASHER, SPRING
1	1	1	-	B	690212-1 POST, RAM
1	1	1	-	B	690786-1 SUPPORT, TERMINAL
REF	REF	REF	-	D	455675-1 PLATE, BASE
1	1	1	-	A	690432-3 SCREW, ADJUSTMENT
					31
REF	REF	REF	-	B	455689-1 BLOCK, STRIP GUIDE ADJ
1	1	1	-	C	458144-1 PLATE, STRIP GUIDE
1	1	1	-	C	455888-9 SPACER, FRONT SHEAR DEP
2	2	2	-	A	1-22284-0 SPRING, DRAG
1	1	1	-	B	240793-1 LEVER, DRAG RELEASE
1	1	1	-	B	240792-1 DRAG, TERMINAL
1	1	1	-	D	1-90765-8 GUIDE, STRIP (REAR)
1	1	1	-	A	690438-1 GUIDE, STRIP (FRONT)
-	-	-	-	B	690472-2 STRIPPER
REF	REF	REF	-	A	4-22284-9 SPRING, FEED RETURN
1	1	-	-	A	679218-1 STRIPPER WIRE STOP ASSY
1	1	-	-	B	458949-1 STRIPPER
					18
					17
					16
					15
					14
					13
					12
1	1	1	-	A	5-22280-0 SPRING, SHEAR
1	1	1	-	B	690461-1 STOP, SHEAR
1	1	1	-	C	690459-1 HOLDER, SHEAR (FRONT)
1	1	1	-	C	462006-7 SHEAR, FLOAT (FRONT)
1	1	1	-	C	1424534-3 ANVIL
					7
					6
1	1	1	-	C	2-455889-0 DEPRESSOR, SHEAR (FRONT)
1	1	1	-	B	1-238011-0 SPACER, BLOCK CRIMPER
1	1	1	-	C	6-683454-4 CRIMPER, INSULATION
1	1	1	-	C	455888-9 SPACER, CRIMPER
1	1	1	-	C	1-568176-1 CRIMPER, WIRE
					1
-3	-2	-1	U/M	DWG SIZE	

THIS DRAWING IS A CONTROLLED DOCUMENT. RELEASED FOR PUBLICATION 12SEP1999 BY AMP INCORPORATED. ALL RIGHTS RESERVED.

THIS DRAWING IS UNRELEASABLE. 12SEP1999

AMP 1756 REV 3-92 05-APR-02 12:33:52 amp16926

LOC A DIST 66 LEADMAKER BENCH MACHINE

REVISION RECORD

REV	DATE	DESCRIPTION
A	05/01	REVISED

REVISION OF EACH ASSY NO (WHEN BLANK, USE DWG REVISION)

DIMENSIONS IN INCHES. DO NOT SCALE PRINT. TOLERANCES UNLESS OTHERWISE SPECIFIED: 2 PLC DEC ±; 3 PLC DEC ±; 4 PLC DEC ±; ANGLES ±; SURF TEXTURE: REMOVE BURRS, BREAK SHARP EDGES R.015 MAX

MATL: HT TR: FIN:

DR: C.ERISMAN 23MAR01 APP: T.ELBIN 23MAR01

CHK: REL:

NAME: SIDE FEED HDM APPLICATOR MACHINE REF: MINI APPL

SCALE: DWG NO: 1385252 SHEET: 1 OF 1 REV: A1

CASE CODE: 00779 CUSTOMER AND ASSEMBLY DRAWING 1 RESTRICTED TO