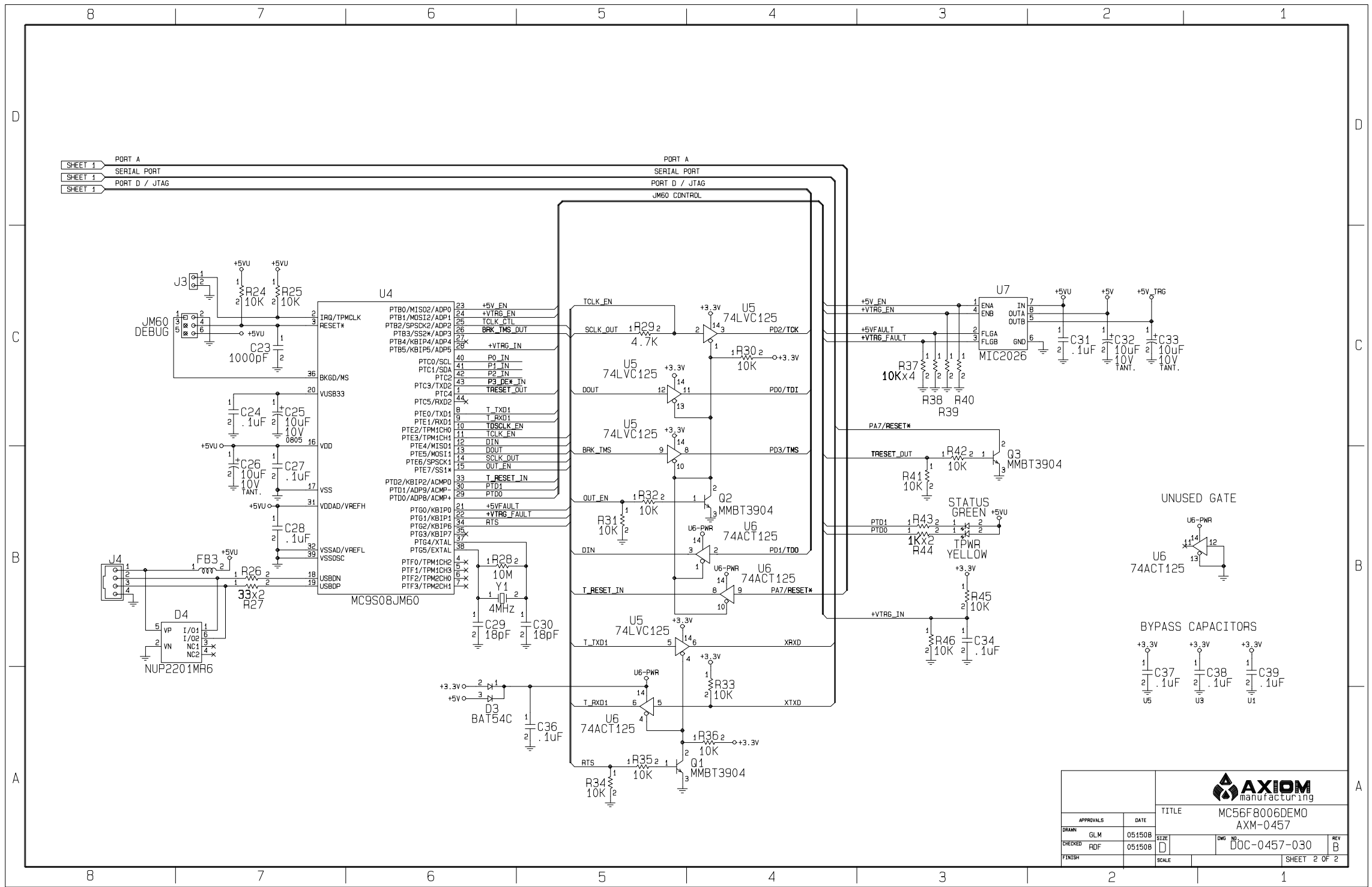


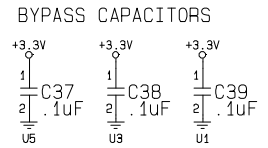
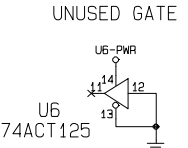
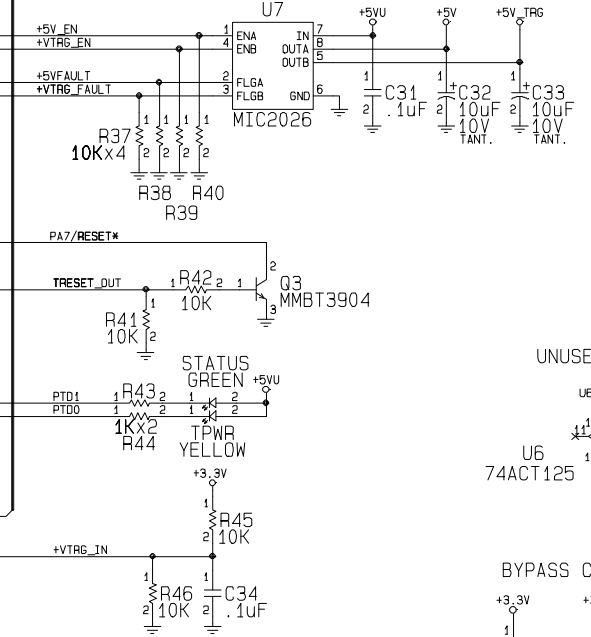
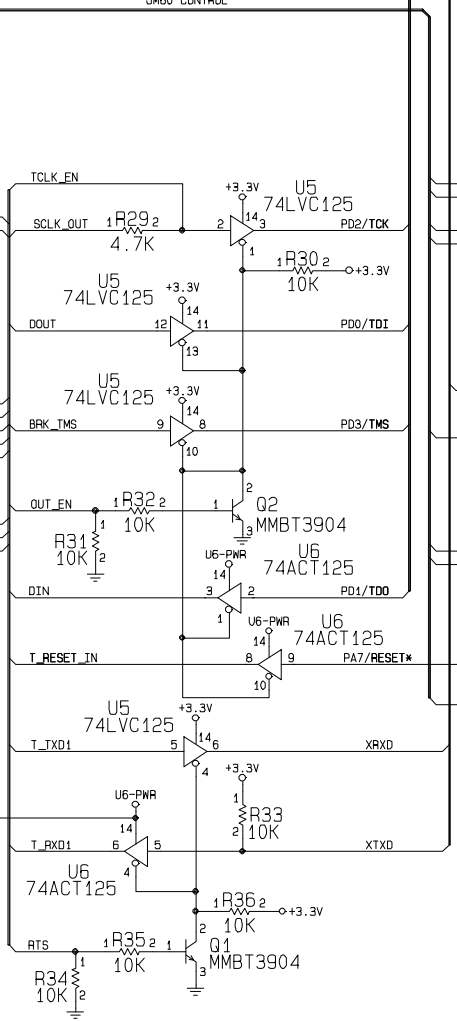
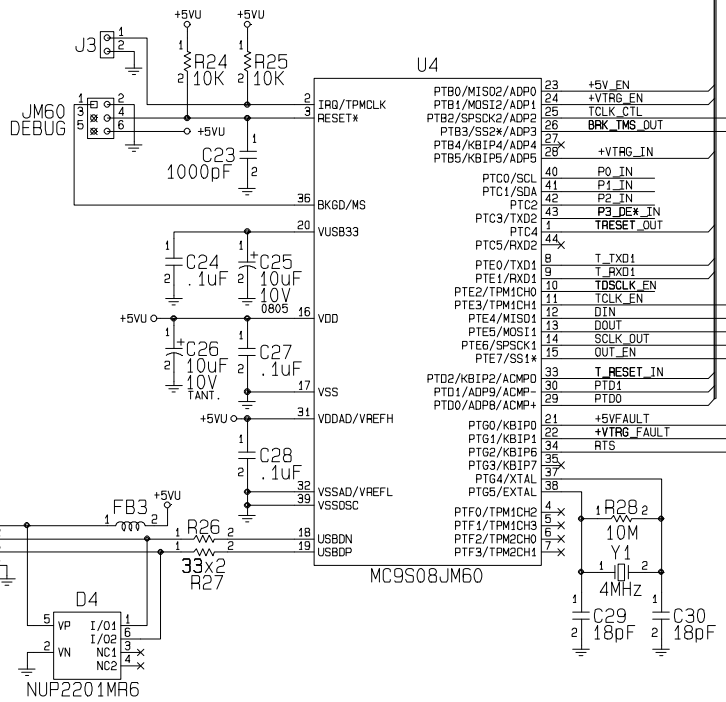
Note: C18 is np to favor motor control applications

APPROVALS		DATE	TITLE	
DRWN	GLM	051508	MC56F8006DEMO	
CHEKED	ADF	051508	AXM-0457	
FINISH			DWG NO	REV
			DOC-0457-030	B
			SCALE	SHEET 1 OF 2



SHEET 1 PORT A
 SHEET 1 SERIAL PORT
 SHEET 1 PORT D / JTAG

PORT A
 SERIAL PORT
 PORT D / JTAG
 JM60 CONTROL



APPROVALS		DATE		TITLE	
DRAWN	GLM	051508	SIZE	MC56F8006DEMO	
CHECKED	ADF	051508	DWG NO	AXM-0457	
FINISH			SCALE	DOC-0457-030	REV B
					SHEET 2 OF 2

