

Type CDLC Carboncap High-Power Board-Mount Ultracapacitor

4 Pin Radial Type



This leading edge, organic electrolyte D cell ultracapacitor can easily handle more than a half million duty cycles and is designed for reverse proof surface mount assembly. They are suited for industrial power back up, renewable energy systems, short term UPS, and telecom applications.

Highlights

- High Power Performance.
- Ultra Low ESR Characteristics
- Available with Surface Mount 4 pin radial termination

Specifications

Operating Temperature Range	-40 °C to +65 °C
Storage Temperature Range	-40 °C to +70 °C
Rated Voltage Range	2.7 Vdc, 2.85 Vdc rated surge
Capacitance Range	350 F
Capacitance Tolerance	-0% / +20%
Life at Room Temperature	10 years at rated voltage and 25 °C Capacitance change ≤20% ESR change ≤100%
Life Test	1500 Hours @ rated voltage and +65 °C Capacitance change ≤20% decrease from min. initial value ESR change ≤100% increase from max. initial value
Cycle Test	500,000 cycles Capacitance change ≤20% ESR change ≤100%
Shelf Life	2 years Capacitance change ≤10% from min. initial capacitance ESR change ≤50% from max. initial ESR
RoHS Compliant	

Ratings

Part Number	CDLC351E2R7T11
Terminal Configuration	4 pin radial
Capacitance (F) (Discharge w constant current at 25°C)	350
ESR, DC (mΩ), Max	3.2
Current - Max Peak (A) (1 s discharge rate to 50% of rated Voltage)	220
Leakage current (mA), Max after 72 h at +25 °C	.32
Usable Power Density, Pd (W/kg) (Per IEC 62391-2)	4600
Usable Power (W)	276
Impedance match power, (W/kg)	9500
Gravimetric energy density, Emax (Wh/kg)	5.9
Energy available (Wh) (At rated voltage)	.35
Weight (kg)	.060
Maximum Continuous Current (Arms) (ΔT=15°C)	21
Short circuit current (A)	840

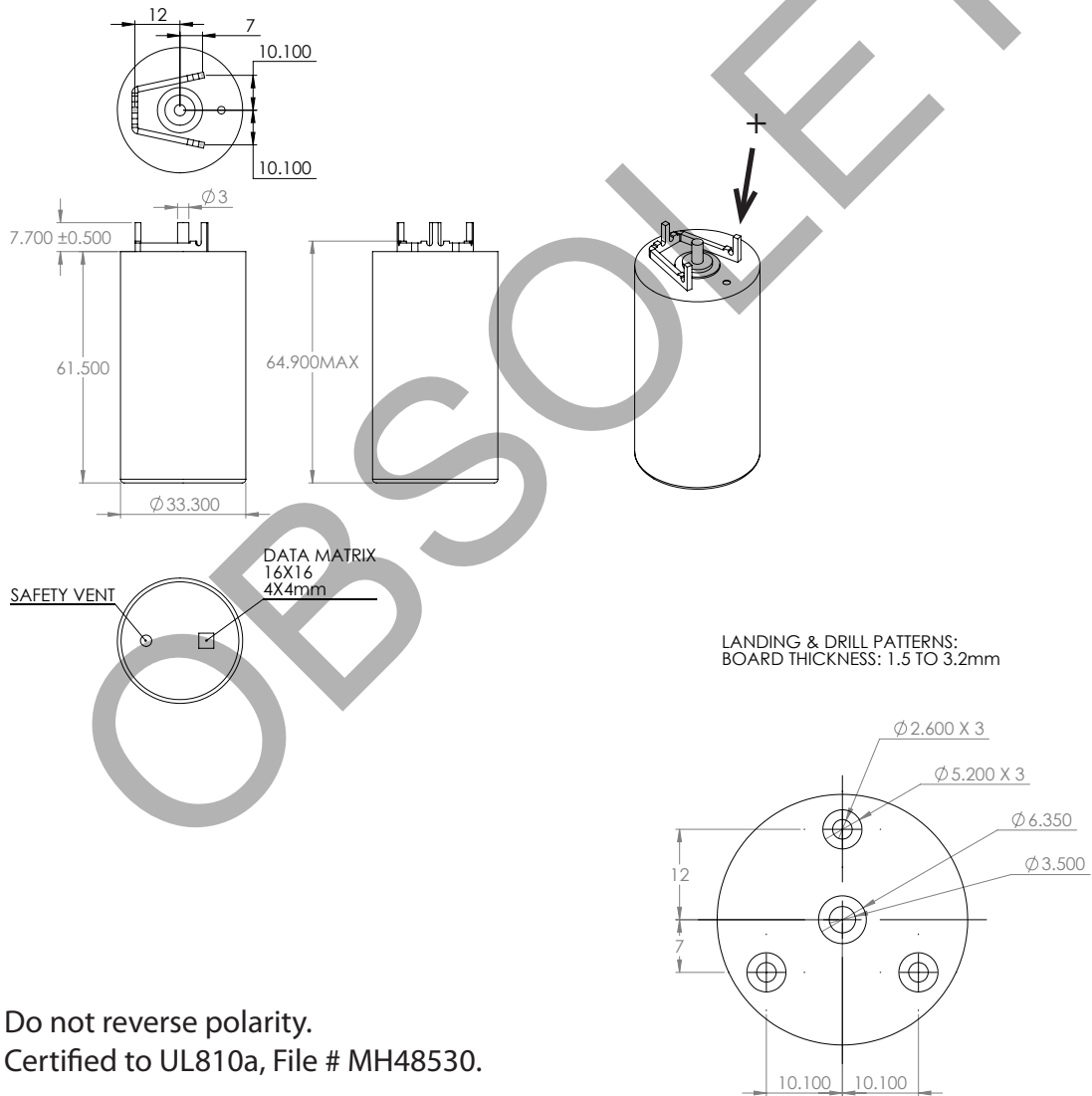
Type CDLC Carboncap High-Power Board-Mount Ultracapacitor

4 Pin Radial Type

Part Numbering System

CDLC	351	E	2R7	T11
Type	Capacitance (F)	Tolerance (%)	Voltage (V)	Configuration
CDLC - Carbon Double Layer Cell	351 = 350	E = -0% / +20%	2R7 = 2.7	T11 = 4 pin radial

Outline Drawing and Dimensions



Do not reverse polarity.
Certified to UL810a, File # MH48530.