

THIS DRAWING IS UNPUBLISHED.

RELEASED FOR PUBLICATION

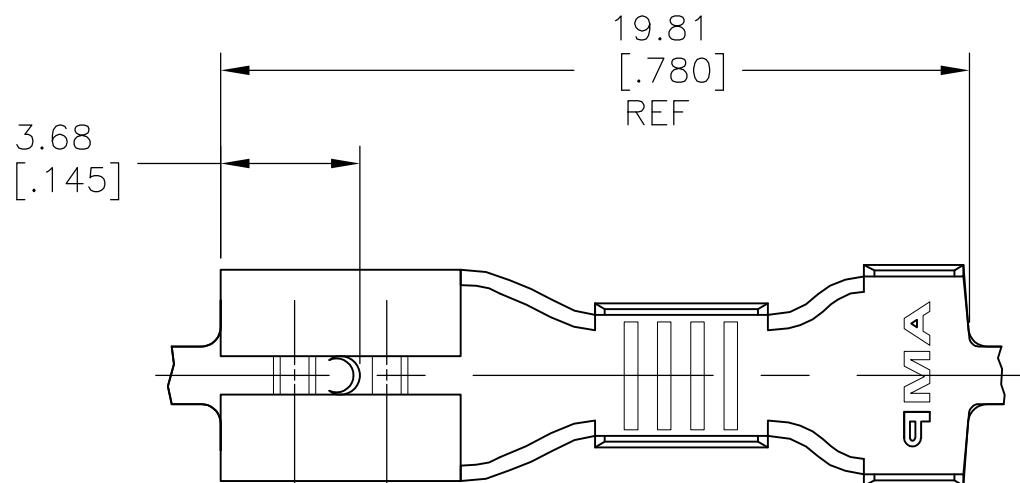
ALL RIGHTS RESERVED.

© COPYRIGHT - By -

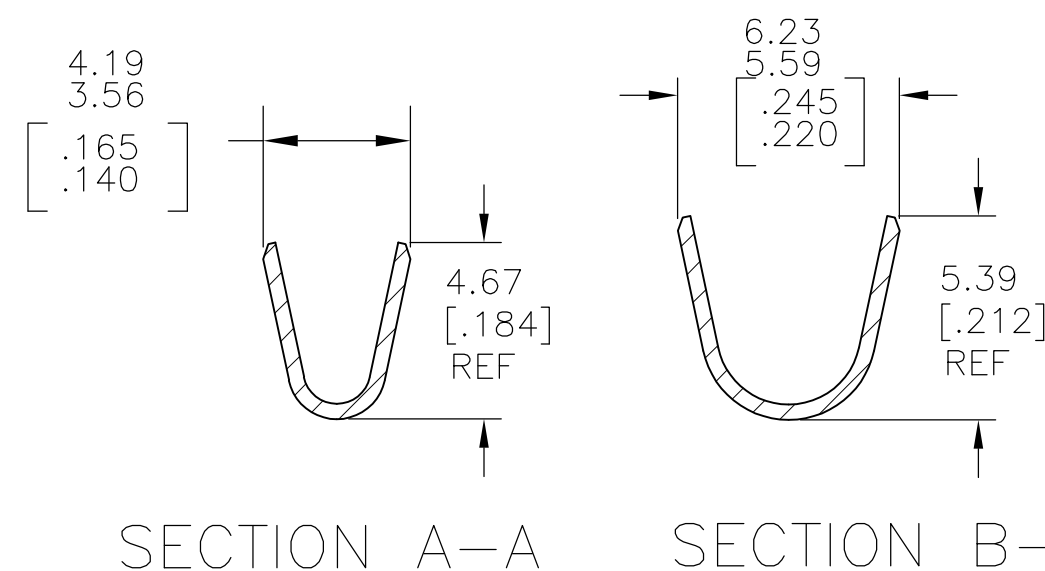
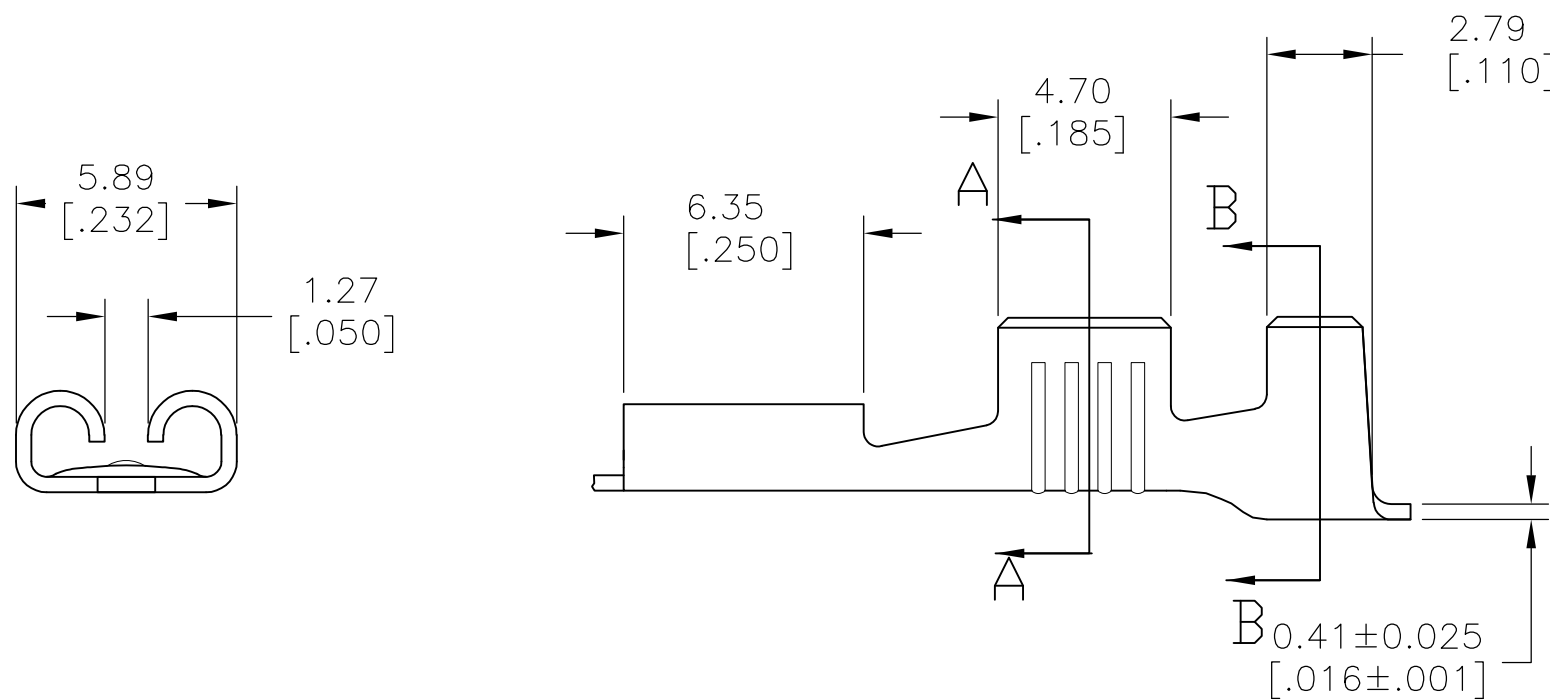
LOC AF DIST 50

REVISIONS

P	LTR	DESCRIPTION	DATE	DWN	APVD
B		REVISED PER ECR-12-013518	26NOV2012	KH	PD



- 1 CONTINUOUS STRIP ON REELS
- 2 WIRE SIZE IS [#16-#12] AWG
- 3 INSULATION RANGE IS 2.79-4.06 [.110-.160] DIA
- 4 MATING TAB THK IS 0.81±0.025 [.032±.001]



1742601-1

PART NO

THIS DRAWING IS A CONTROLLED DOCUMENT.

DWN jr_ruth 25MAY07

CHK P_DESANTIS 25MAY07

APVD P_DESANTIS 25MAY07

PRODUCT SPEC

APPLICATION SPEC

WEIGHT -

CUSTOMER DRAWING



NAME RECEPTACLE, FASTON, 4.75 [.187] SERIES

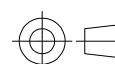
SIZE A3 CAGE CODE 00779 DRAWING NO C-1742601 RESTRICTED TO -

SCALE 5:1 SHEET 1 OF 1 REV B

DIMENSIONS: mm [INCHES]

TOLERANCES UNLESS OTHERWISE SPECIFIED:

0 PLC	± -
1 PLC	± -
2 PLC	± 0.25 [.010]
3 PLC	± -
4 PLC	± -
ANGLES	± 5°



MATERIAL BRASS

FINISH TIN PLATE