

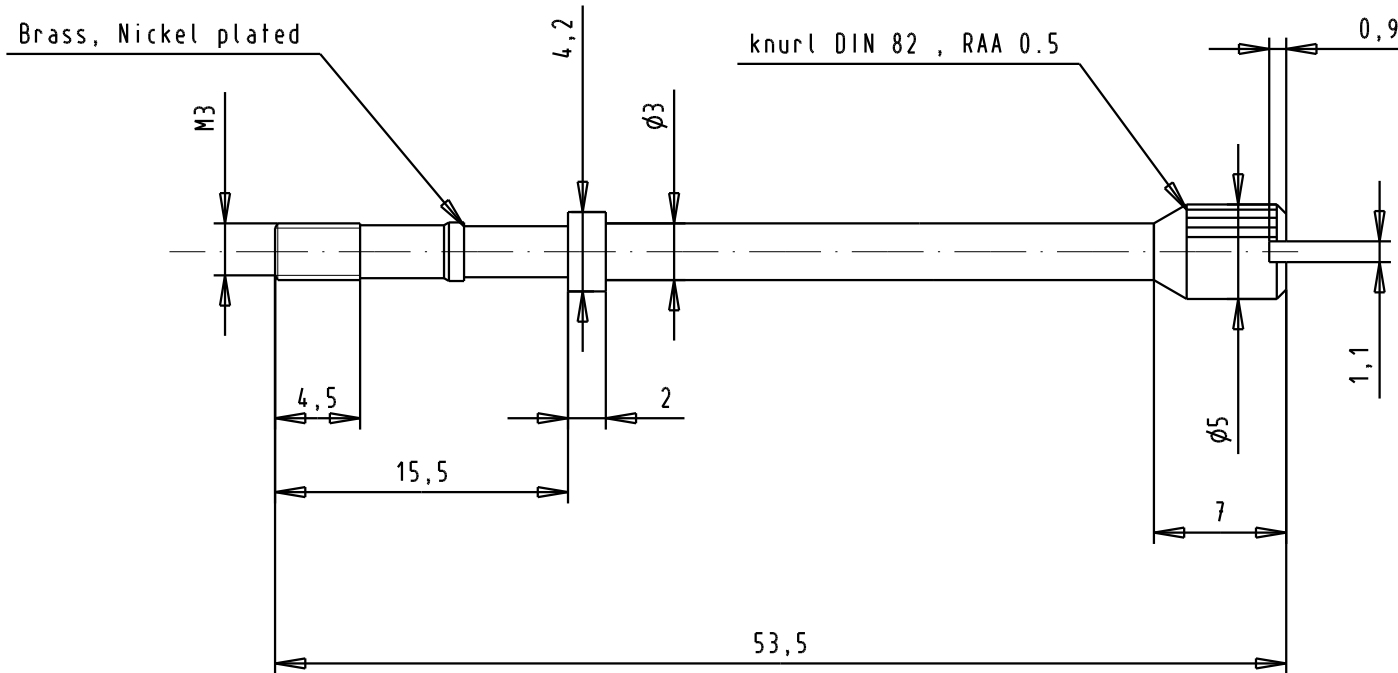
5



4

3

2

1



				Dat.	Name	 All Dim. in mm Orig. Size DIN A 4	Knurled locking screw M3	Moßstab/ Scale
			Detail.	07/01/04	S.H.			2.5:1
			Insp.					
			Stand.					
31587	07/01/04	S.H.	HARTING ELEKTRONIK F-95972 Paris				TB 09 67 002 9011	Blatt/ Page
Mod.	Dat.	Name					Sub.	/