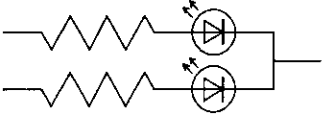
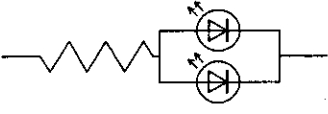
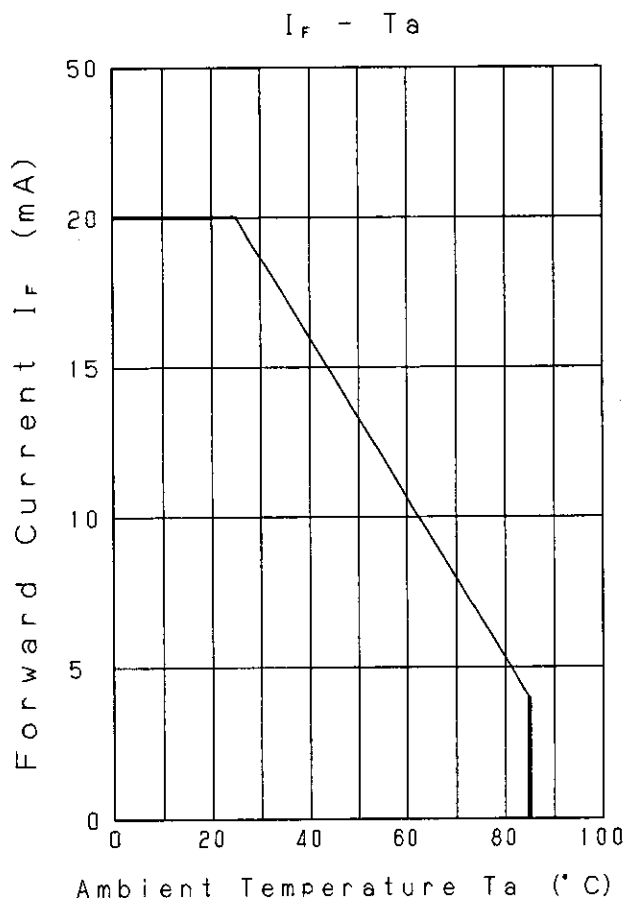
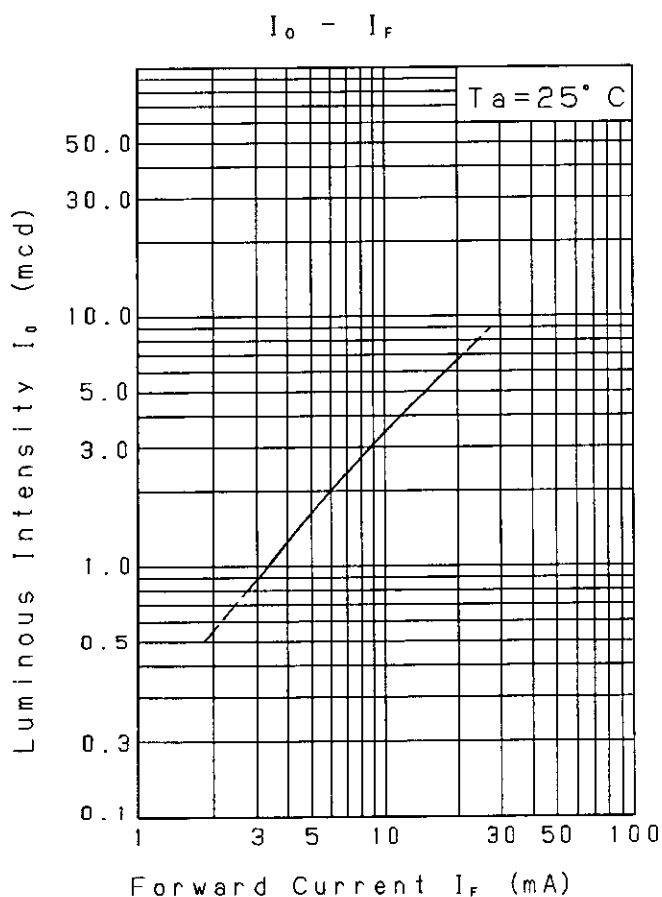
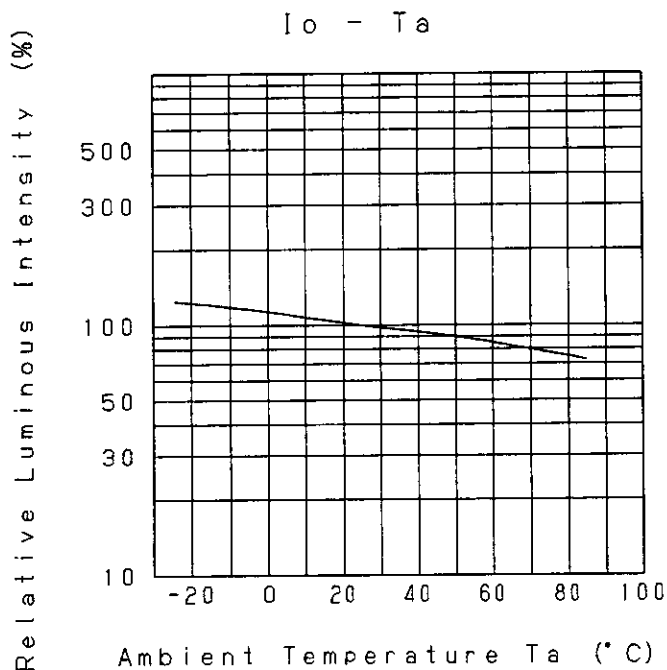
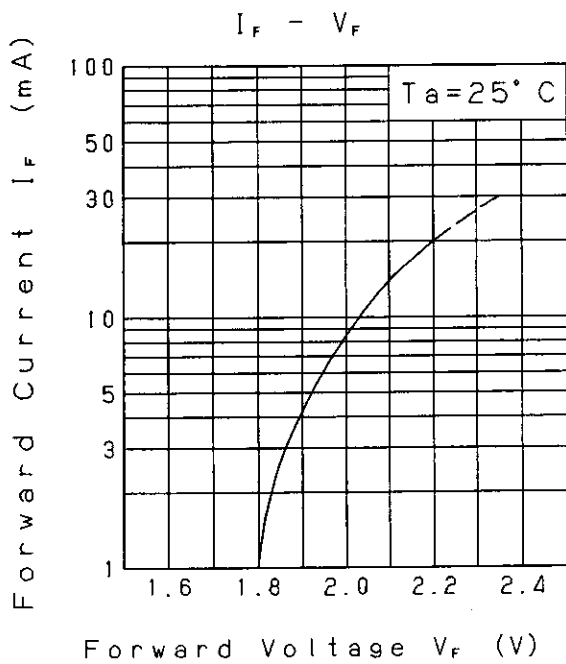


Approved	Checked	Designed	DEVELOPMENT SPECIFICATION							
		<i>K. Ozawa</i>	P/N: LNJ306G5UUX							
T Y P E	Green Light Emitting Diode									
A P P L I C A T I O N	Indicators									
M A T E R I A L	GaP									
O U T L I N E	Attached									
A B S O L U T E M A X I M U M R A T I N G S	P	※ I _{FP}	I _{DC}	V _R	Topr	Tstg				
	60	60	20	4	-25~+85	-30~+100				
	mW	mA	mA	V	°C	°C				
C O N D I T I O N	T _a = 25 ± 3 °C									
Test Specification										
I t e m	Symbol	C o n d i t i o n	T y p	L i m i t		U n i t				
				Min	Max					
Forward Voltage	V _F	I _F = 10 mA	2.03		2.6	V				
Reverse Leakage Current	I _R	V _R = 4 V			10	μA				
Luminous Intensity	I _O	I _F = 10 mA · DC	3.5	1.35		mcd				
Peak Emission Wavelength	λ _p	I _F = 10 mA · DC	565			nm				
Spectral Line Half Width	Δλ	I _F = 10 mA · DC	30			nm				
<p>※ · The Condition of I_{FP} is duty 10 %, Pulse width 1 ms</p> <p>· Please contact the Panasonic local office if you design at low current (below 1mA DC) or pulse current operation and have any questions.</p> <p>NOTE</p> <ol style="list-style-type: none"> 1. Compositions of the lead ... Cu/Ni/Au plating 2. Soldering conditions. Refer to Handling note. 3. Care should be taken that soldering is done within 3-days after opening the dry package and reel. 4. Package: Green diffusion type. 5. Circuit to operate LED. 										
							<p>(A) Recommended circuit.</p> <p>(B) The difference of brightness between the LED could be found due to the V_F characteristics of each LED.</p>			
Oct. 27. 2001										

Approved	Checked	Designed	DEVELOPMENT SPECIFICATION				
		<i>K. Honda</i>		P/N:LNJ306G5UUX			



Oct. 27. 2001			
---------------	--	--	--

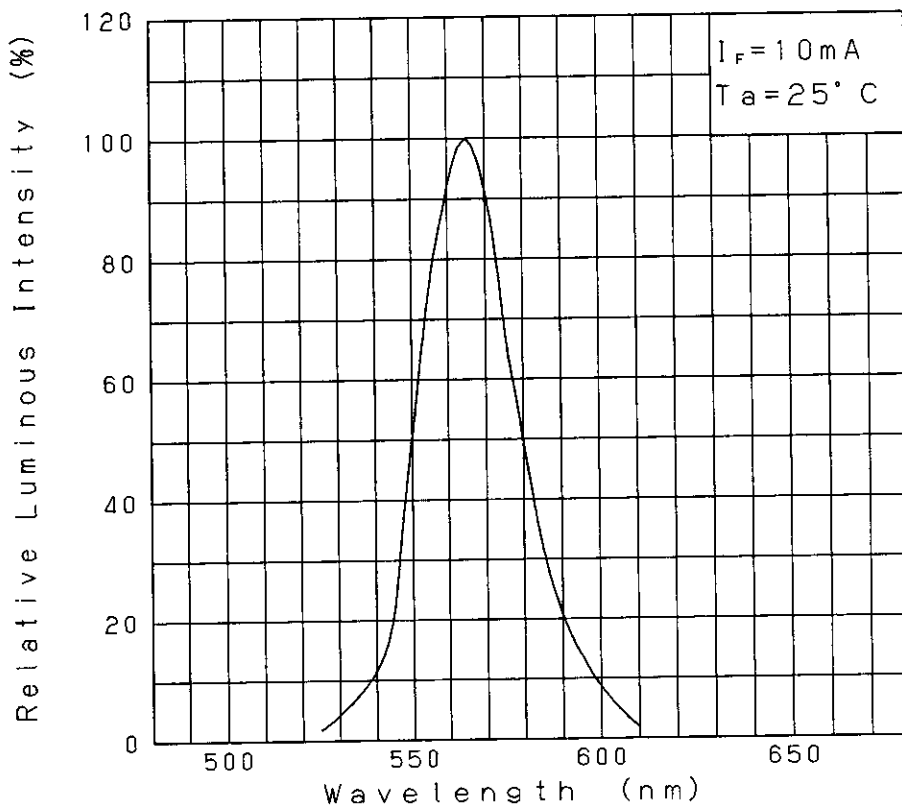
Approved Checked Designed

DEVELOPMENT SPECIFICATION

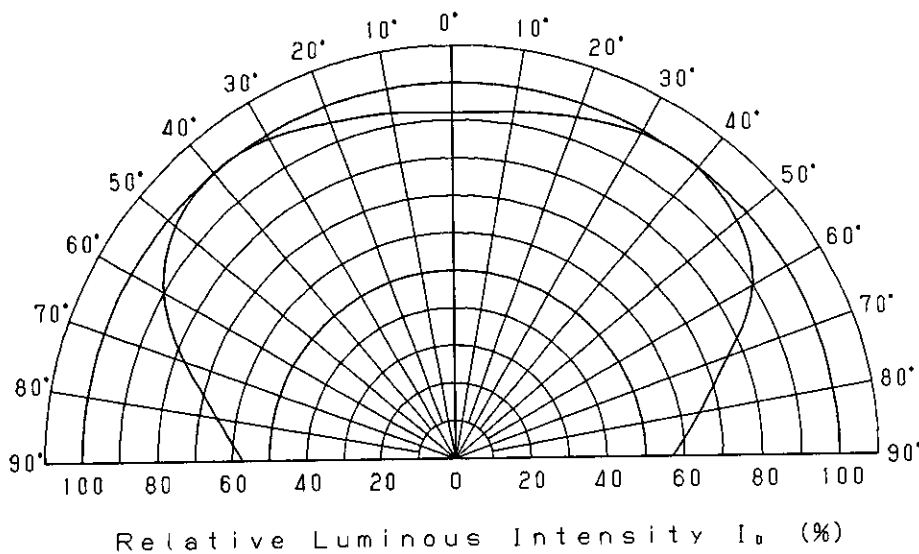
K. O. 10/27/01

P/N:LNJ306G5UUX

Relative Luminous Intensity
Wavelength Characteristics

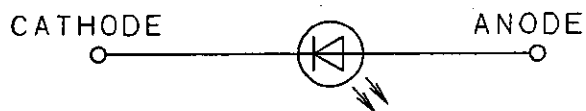
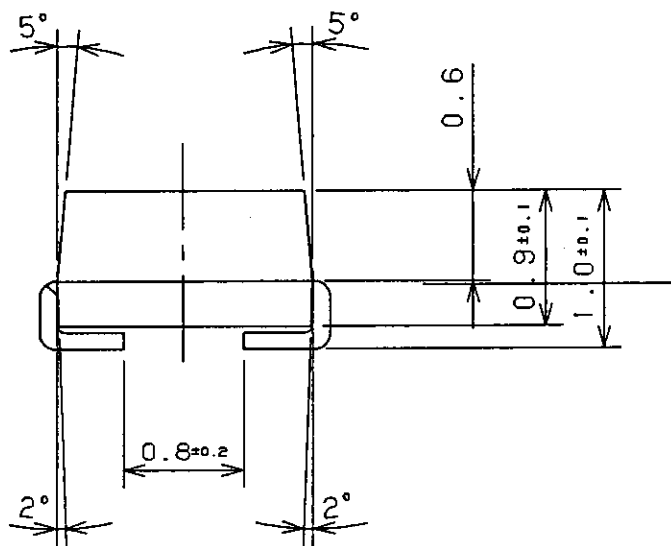
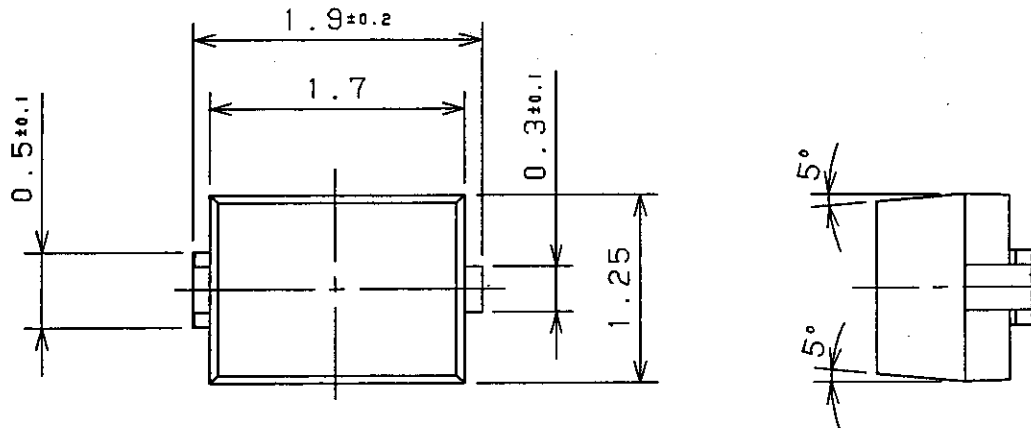


Directive Characteristics



Oct. 27. 2001

Approved	Checked	Designed	DEVELOPMENT SPECIFICATION (OUTLINE)	P/N: _____
		<i>K. Otsu</i>		



(NOTE)

1. Unit: mm
2. Tolerance unless specified is ±0.2.
3. Measurement of the Package doesn't include gete projection.
4. Corner of the package is R 0.2max.
5. Projection's tolerance of the package is R 0.2max.

Oct. 27. 2001