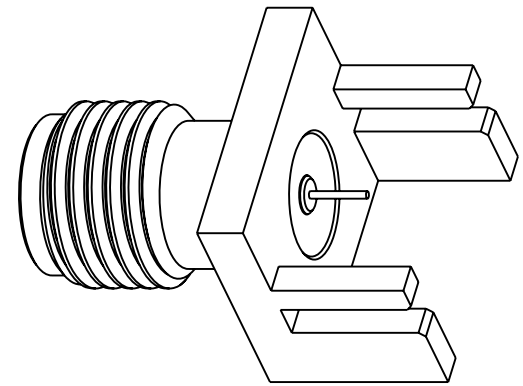


NOTES:

1. MATERIALS OF CONSTRUCTION:
 BODY - BRASS, GOLD PLATING
 CONTACT PIN - BERYLLIUM COPPER, GOLD PLATING
 INSULATOR - PTFE, NATURAL
2. ELECTRICAL:
 A. IMPEDANCE: 50 OHM
 B. FREQUENCY RANGE: DC 0-18 GHZ
 C. VSWR: 1.28, MAX.
 D. DIELECTRIC WITHSTANDING VOLTAGE: 1000 VRMS, MIN.
3. MECHANICAL:
 A. DURABILITY: 500 CYCLES MIN.
 B. TEMPERATURE RANGE: -65° C TO +165° C

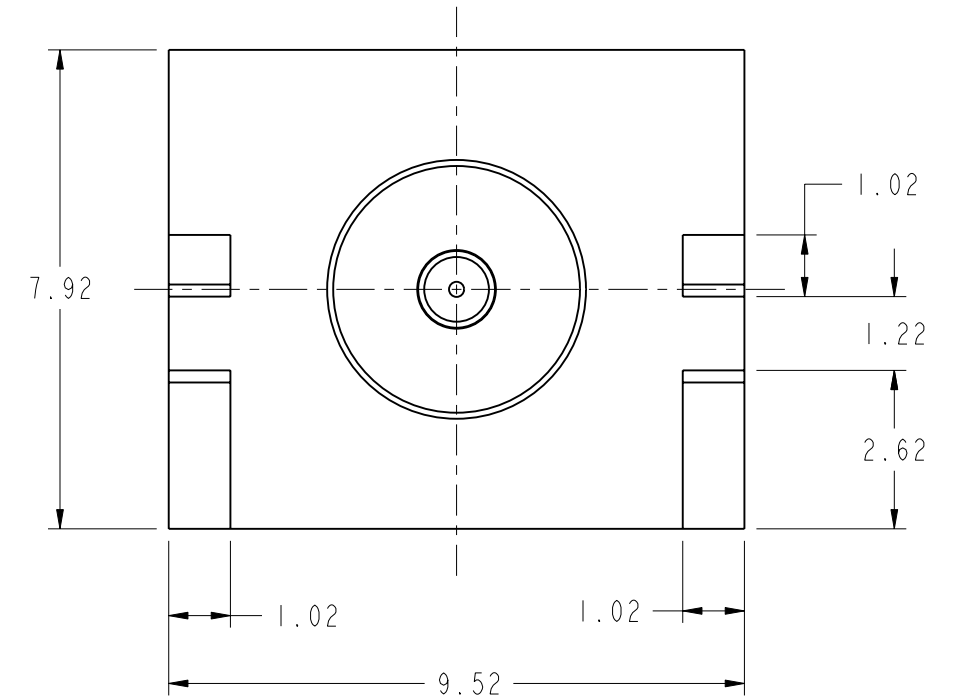
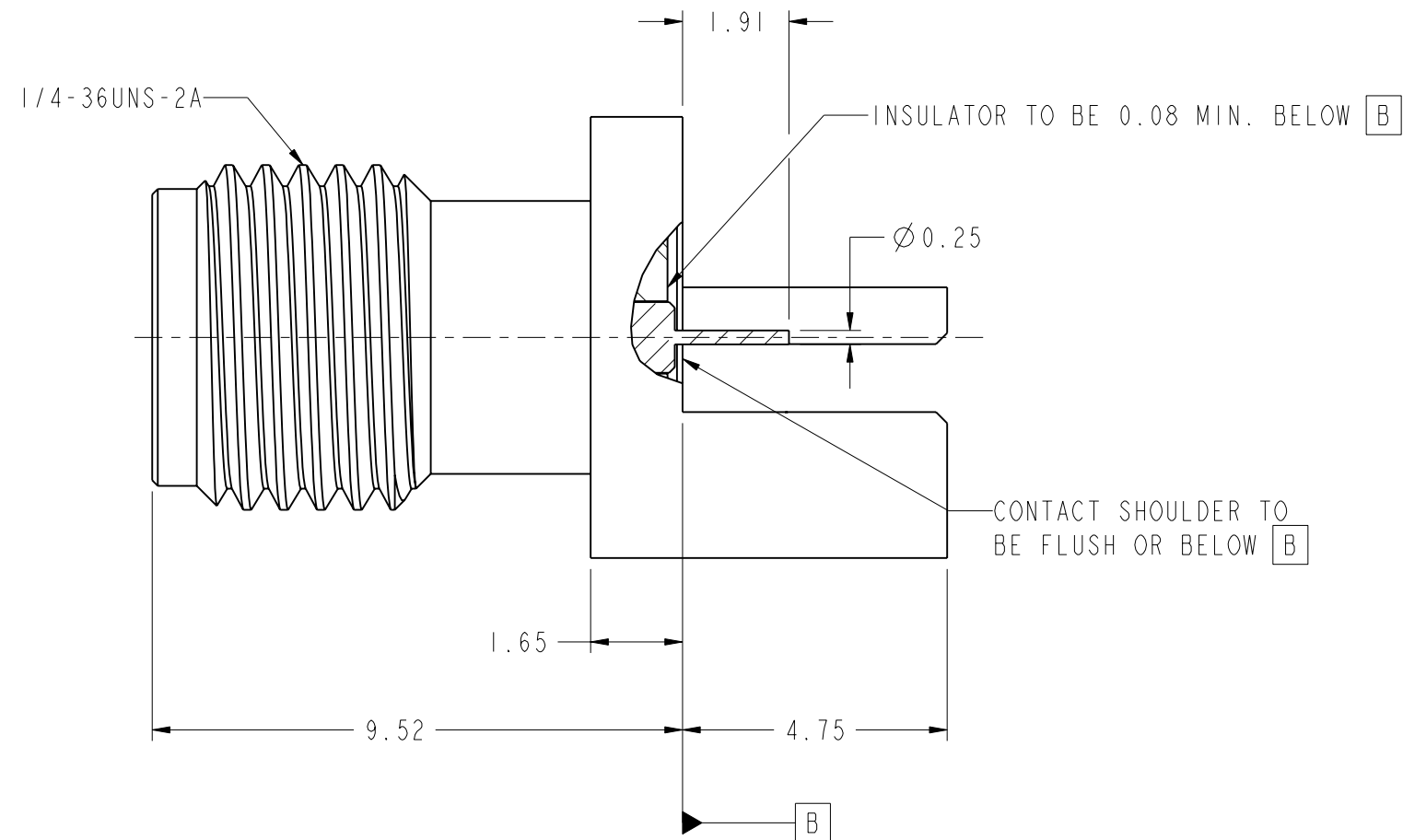
THIRD ANGLE PROJ.



SCALE 4.000

REVISIONS

REV	DESCRIPTION	DATE	ECO	APPR
A	RELEASE TO MFG.	08-Sep-08	47202	SHE
B	THE INSULATOR WAS CHANGED\RD-DM11041901M	25-Apr-11	48605	SH
C	BODY WAS CHANGED\RD-DM13040901S4	19-Apr-13	49520	SL



CUSTOMER OUTLINE DRAWING

ALL OTHER SHEETS ARE FOR INTERNAL USE ONLY

UNLESS OTHERWISE SPECIFIED, DIMENSIONS ARE IN METRIC AND TOLERANCES ARE:
 <0.5mm ±0.05mm 0.5 - 6mm ±0.1mm 6 - 30mm ±0.2mm 30 - 120mm ±0.3mm ANGLES ±1°

NOTICE - These drawings, specifications, or other data (1) are, and remain the property of Amphenol corp. (2) must be returned upon request; and (3) are confidential and not to be disclosed to any person other than those to whom they are given by Amphenol Corp. the furnishing of these drawings, specifications, or other data by Amphenol Corp., or to any other person to anyone for any purpose is not to be regarded by implication or otherwise in any manner licensing, granting rights to permitting such holder or any other sperson to manufacture, use or sell any product, process or design, patented or otherwise, that may in any way be related to or disclosed by said drawings, specifications, or other data.

MATERIAL	DRAWN S.LI	DATE 19-Apr-13	TITLE SMA END LAUNCH RECEPT. JACK	Amphenol RF Danbury CT USA, Tainan, Taiwan, Shenzhen, China www.amphenolrf.com
REFERENCE AND CONFIGURATION LEVEL:	ENGINEER C.WANG	DATE 08-Sep-08		
FINISH	APPROVED H.HE	DATE 19-Apr-13	SCALE: 8.0:1.0	DRAWING NO. SMA6251A1-082-3GT50G-50
	CAD FILE I:\SMA\SMA6251A1-082-3GT50G-50		SHEET 2 OF 2	ITEM NO. 116251ADC02GA5F
			DWG SIZE B	PART NO. 901-10044-6RFX
			REV C	