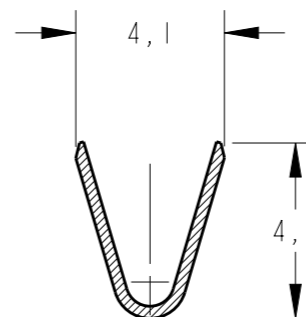
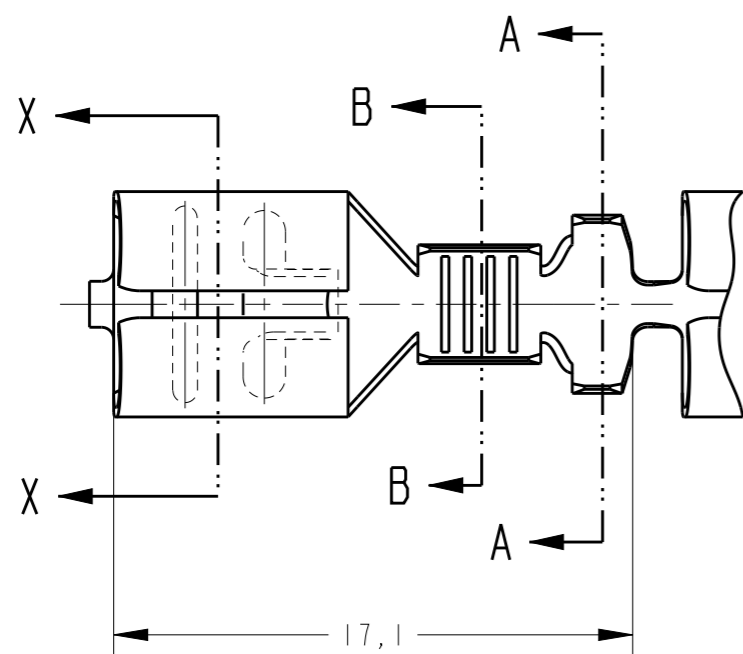
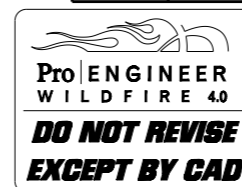


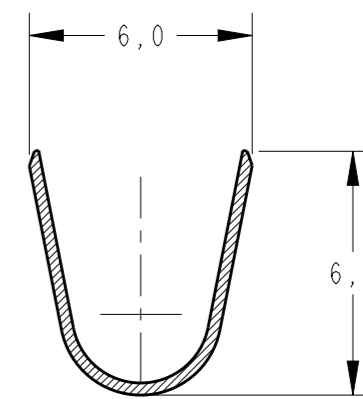
LOC AP DIST -

REVISIONS

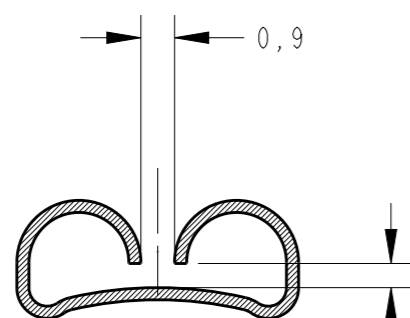
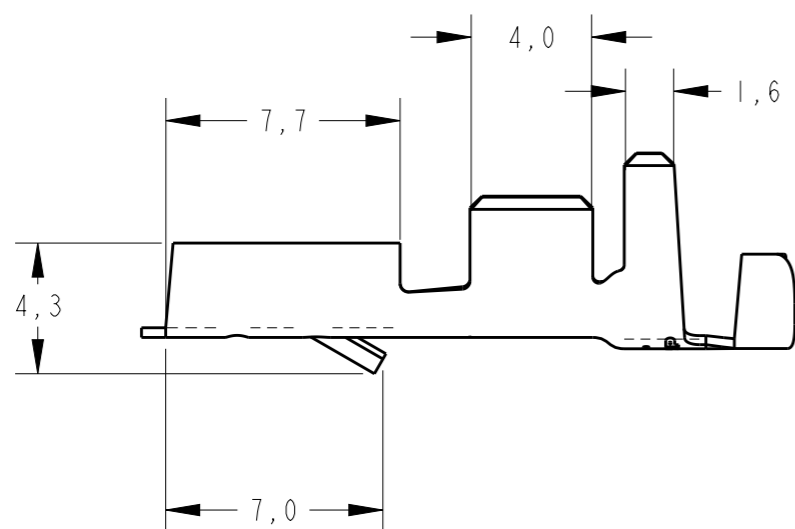
| P | LTR | DESCRIPTION | DATE | DWN | APVD |
|---|-----|--------------------------|-----------|-----|------|
| | AGI | REVISED BY ECO 16-003725 | 23JUN2016 | HC | WLS |



SECTION B-B
SCALE 5:1

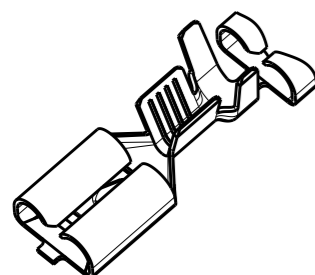


SECTION A-A
SCALE 5:1



SECTION X-X
SCALE 5:1

PARA LINGUETA
DE 0,8mm ESPESSURA
FOR 0,8mm TAB



PERSPECTIVE VIEW
SCALE 2:1

| | | | |
|----------|------------------------|---------------------------|-------------|
| OBSOLETE | PLATEADO/SILVER PLATED | LATÃO / BRASS | 735222 5 |
| | ESTANHADO / TIN PLATED | BRONZE FOSF./PHOSP BRONZE | 735222 4 |
| | | BRONZE FOSF./PHOSP BRONZE | 735222 3 |
| | ESTANHADO / TIN PLATED | LATÃO / BRASS | 735222 2 |
| | | LATÃO / BRASS | 735225 -1 |
| | FINISH | MATERIAL | PART NUMBER |

| INS. RANGE | WIRE RANGE |
|-------------|------------------------|
| Ø 3,0-5,0mm | 2,0-4,0mm ² |

| | | |
|--|------------------|-----------------------------|
| THIS DRAWING IS A CONTROLLED DOCUMENT. | | DWN NCLAPRESA 29APR2013 |
| DIMENSIONS: mm | | CHK JRGOLDSCHMIDT 29APR2013 |
| TOLERANCES UNLESS OTHERWISE SPECIFIED: | | APVD DAOLIVEIRA 29APR2013 |
| 0 PLC ±0,3 | 1 PLC ±0,3 | PRODUCT SPEC 108-37015 |
| 2 PLC ±0,3 | 3 PLC ±0,3 | APPLICATION SPEC 114-18022 |
| 4 PLC ±0,3 | ANGLES ±1° | WEIGHT - |
| MATERIAL SEE TABLE | FINISH SEE TABLE | CUSTOMER DRAWING |

| | | | |
|---|-----------------|---------------------|-----------------|
| STE TE Connectivity | | | |
| NAME TERMINAL 6.3 SERIES FASTIN FASTON RECEPTACLE | | | |
| SIZE A3 | CAGE CODE 00779 | DRAWING NO C-735225 | RESTRICTED TO - |
| SCALE 5:1 | | SHEET 1 OF 1 | REV AGI |