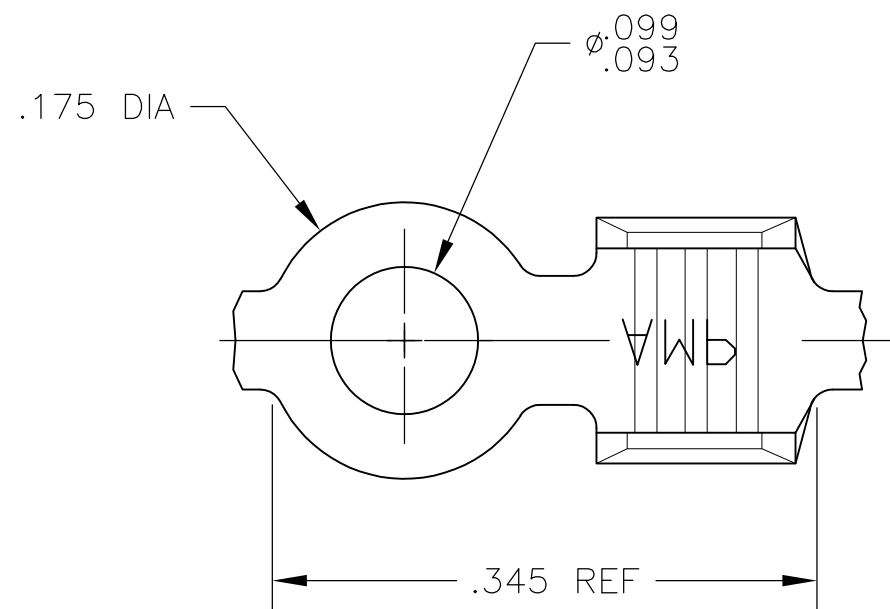
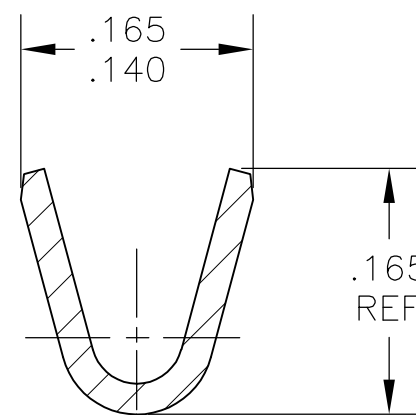
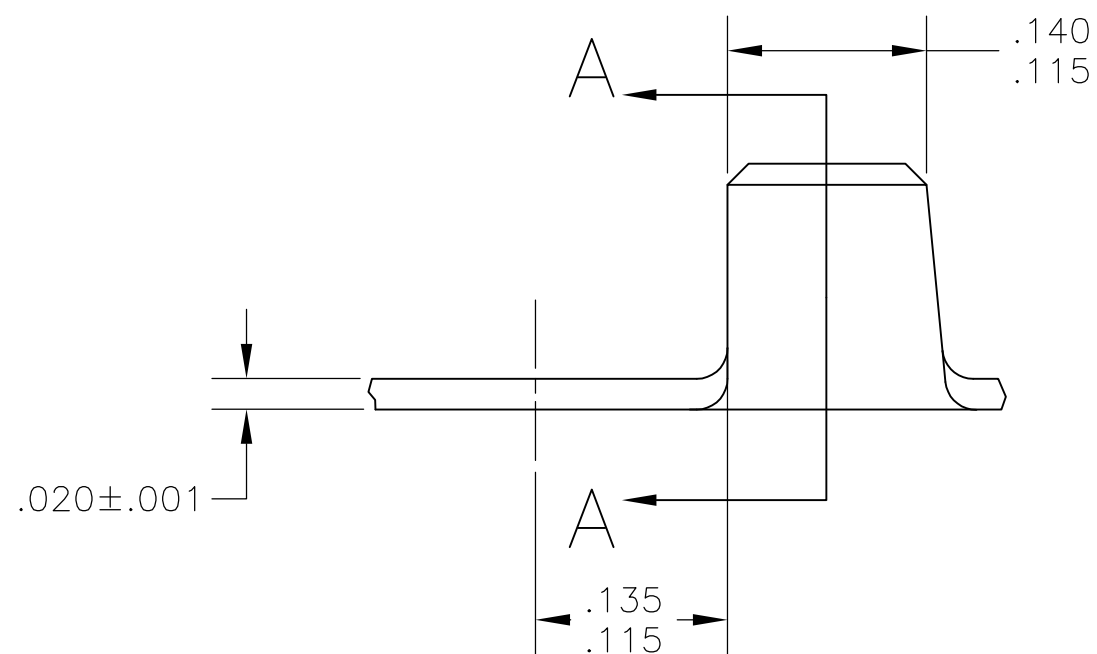


THIS DRAWING IS UNPUBLISHED. RELEASED FOR PUBLICATION
 © COPYRIGHT BY TYCO ELECTRONICS CORPORATION. ALL RIGHTS RESERVED.

LOC	DIST	REVISIONS					
		P	LTR	DESCRIPTION	DATE	DWN	APVD
G	50		B	REVISED PER ECR-10-006099	06JUL10	HMR	PD



- CONTINUOUS STRIP ON REELS
- WIRE SIZE IS #18-#14 AWG



OBSOLETE	—	082 BRASS	41499-2
OBSOLETE	TIN	TC COPPER	41499-1
	TIN	082 BRASS	41499
	FINISH	MATERIAL	PART NO

THIS DRAWING IS A CONTROLLED DOCUMENT.		DWN jr_ruth 17FEB06	Tyco Electronics Corporation Harrisburg, PA 17105-3608	
DIMENSIONS: INCHES	TOLERANCES UNLESS OTHERWISE SPECIFIED:	CHK D DECKER 17FEB06	NAME	
	0 PLC ± - 1 PLC ± - 2 PLC ± - 3 PLC ± .010 4 PLC ± - ANGLES ± 5'	APVD D DECKER 17FEB06	RING	
MATERIAL SEE TABLE	FINISH SEE TABLE	PRODUCT SPEC —	SIZE A3	CAGE CODE 00779
		APPLICATION SPEC —	DRAWING NO C-41499	RESTRICTED TO —
		WEIGHT —	CUSTOMER DRAWING	
			SCALE 8:1	SHEET 1 OF 1
				REV B