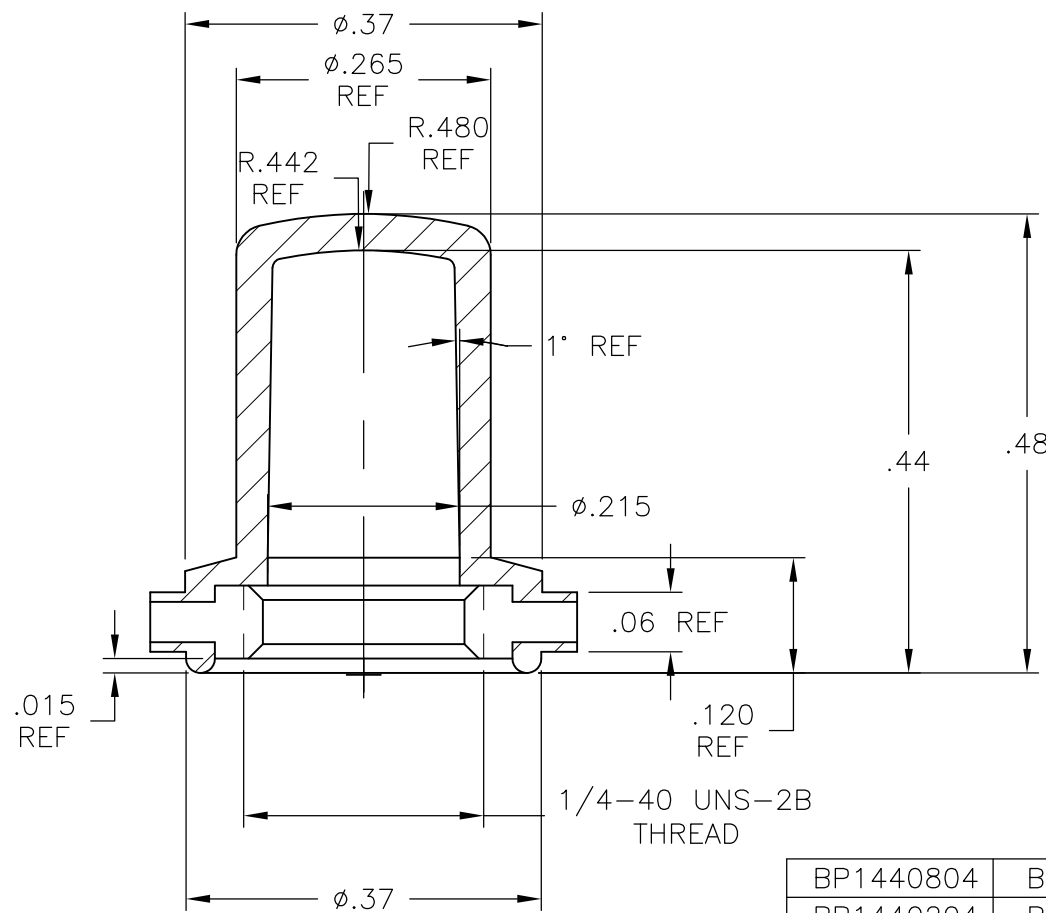
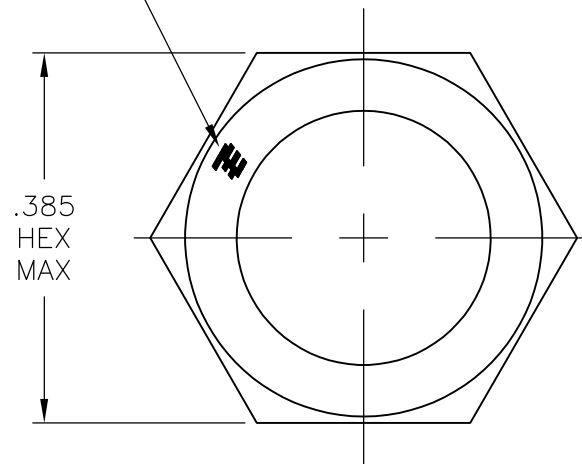


THIS DRAWING IS UNPUBLISHED. RELEASED FOR PUBLICATION
 © COPYRIGHT BY TYCO ELECTRONICS CORPORATION. ALL RIGHTS RESERVED.

LOC	DIST	REVISIONS			
P	LTR	DESCRIPTION	DATE	DWN	APVD
	B2	REVISED PER ECO-09-008474	07APR09	HMR	MW

TE LOGO, RAISED



1. SOME DIMENSIONS MAY VARY DUE TO DIFFERENT COMPOUND SHRINKAGE FACTOR.
2. MINOR FLASH ACCEPTABLE ON INSERT THREAD.
3. BLACK FINISH/NICKEL PLATING INSIDE THREADS REMOVED DUE TO MOLDING PROCESS PERMITTED.
4. RUBBER TO METAL BOND MUST MEET OR EXCEED THE TEAR STRENGTH OF RUBBER.
5. RUBBER OVERLAY PERMISSIBLE OVER HEX FLATS AS SHOWN IN THE DRAWING.
6. COMPONENTS MUST COMPLY WITH THE EUROPEAN DIRECTIVE 2002/95/EC ON RESTRICTION OF THE USE OF CERTAIN HAZARDOUS SUBSTANCES IN ELECTRICAL AND ELECTRONIC EQUIPMENT (ROHS DIRECTIVE).

BP1440804	BRASS, NICKEL PLATE PER QQ-N-290	SILICONE, COLOR GRAY	1825610-3
BP1440204	BRASS, NICKEL PLATE PER QQ-N-290	SILICONE, COLOR RED	1825610-2
BP1440004	BRASS, BLACK OXIDE PER MIL-F-495	SILICONE, COLOR BLACK	1825610-1
ALCO NUMBER	HEX NUT MATERIAL	RUBBER BOOT MATERIAL	PART NUMBER

THIS DRAWING IS A CONTROLLED DOCUMENT.		DWN S SCHLEGEL 20FEB2008	Tyco Electronics Corporation Harrisburg, PA 17105-3608													
DIMENSIONS: INCHES		CHK M WILBOURN 2/20/08	NAME													
TOLERANCES UNLESS OTHERWISE SPECIFIED:		APVD M WILBOURN 2/20/08	1/4-40 PUSHBUTTON BOOT SEAL													
<table border="0"> <tr><td>0 PLC</td><td>± -</td></tr> <tr><td>1 PLC</td><td>± -</td></tr> <tr><td>2 PLC</td><td>± .01</td></tr> <tr><td>3 PLC</td><td>± .005</td></tr> <tr><td>4 PLC</td><td>± -</td></tr> <tr><td>ANGLES</td><td>± 5°</td></tr> </table>		0 PLC	± -	1 PLC	± -	2 PLC	± .01	3 PLC	± .005	4 PLC	± -	ANGLES	± 5°	PRODUCT SPEC -	APPLICATION SPEC -	RESTRICTED TO -
0 PLC	± -															
1 PLC	± -															
2 PLC	± .01															
3 PLC	± .005															
4 PLC	± -															
ANGLES	± 5°															
MATERIAL -	FINISH -	WEIGHT -	SIZE A3	CAGE CODE 00779												
CUSTOMER DRAWING			DRAWING NO C-1825610	RESTRICTED TO -												
		SCALE 5:1	SHEET 1 OF 1	REV B2												