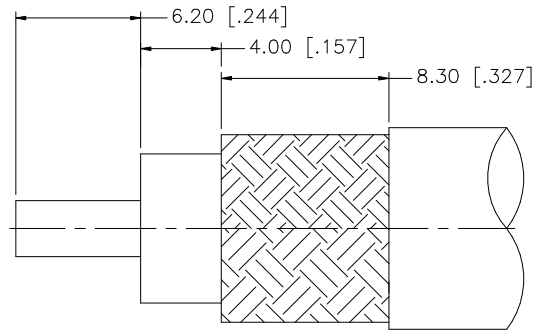
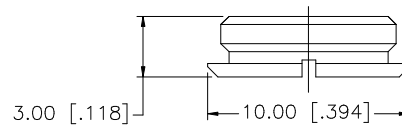
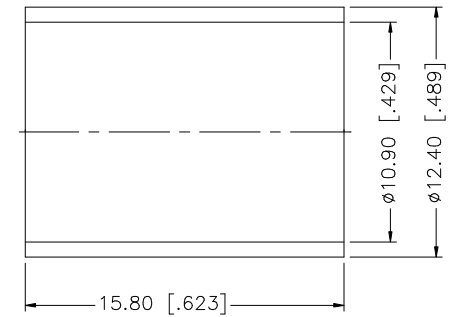
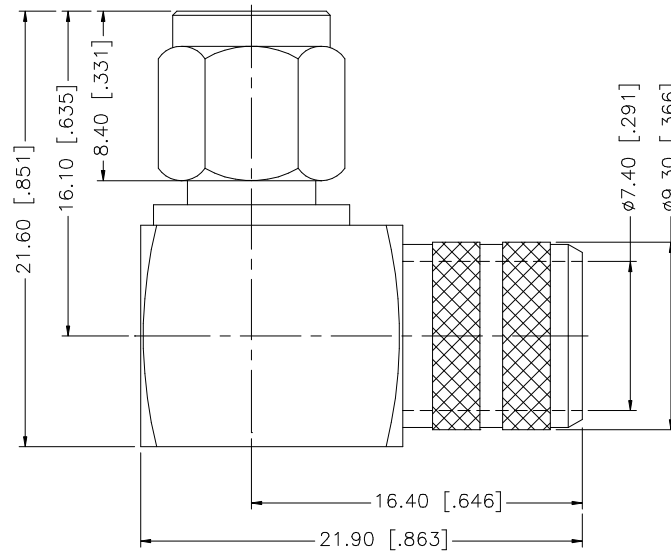


REV.	DATE	DESCRIPTION
NC	02/27/01	INITIAL RELEASE
A	03/12/07	UPDATE DRAWING FORMAT



RECOMMENDED
CABLE STRIPPING DIM'S



8					UNLESS OTHERWISE SPECIFIED DIMENSIONS ARE IN MILLIMETERS. DIMENSIONS IN [] ARE IN INCHES AND FOR CUSTOMER REFERENCE ONLY.	APPROVALS	DATE	Amphenol Connex				
7						DRAWN	G.R.S.					03/12/07
6					UNLESS OTHERWISE SPECIFIED TOLERANCES FOR MILLIMETERS ARE: 0.5 - 8mm ± 0.20mm 8 - 30mm ± 0.40mm 30 - 120mm ± 0.50mm	CHECKED		PART DESCRIPTION				
5	FERRULE	COPPER	GOLD	1		ISSUED			SMA R/A CRIMP PLUG (FOR BELDEN 9913, 9914, TIME U/R-400 CABLE)			
4	COVER	BRASS	GOLD	1	UNLESS OTHERWISE SPECIFIED TOLERANCES FOR INCHES ARE: .020 - .315 = ± 0.007" .315 - 1.180 = ± 0.015" 1.180 - 4.724 = ± 0.020"	SHEET	1 OF 1	PART NO.				
3	CONTACT PIN	BRASS	GOLD	1		132299						
2	INSULATOR	TEFLON	NATURAL	1	DO NOT SCALE DRAWING	CAD FILE		DWG. NO.		REV.	SIZE	SCALE
1	BODY	BRASS	GOLD	1		C:/132/132299.DWG		132299.DWG		A	A	NA