

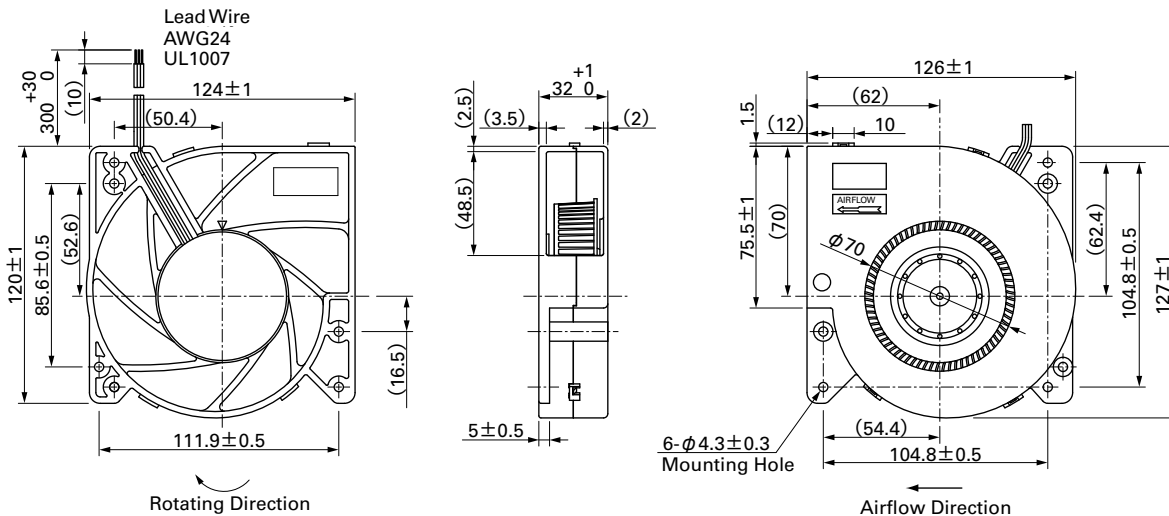
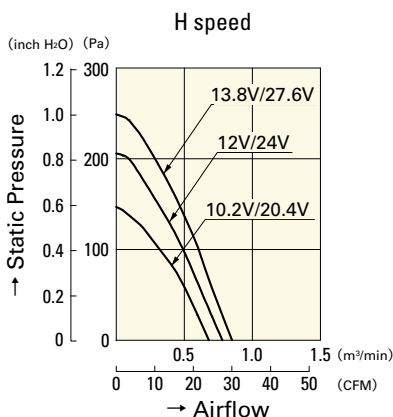
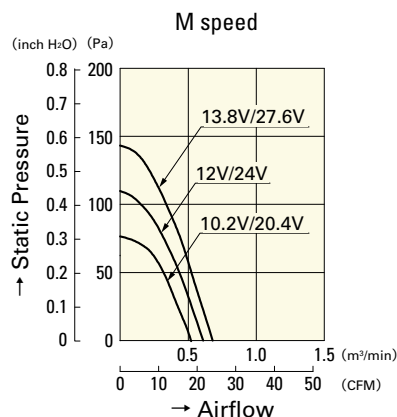
127mm**San Ace B127****General Specifications**

- Material.....Frame: Plastics (Flammability: UL94V-0),
Impeller: Plastics (Flammability: UL94V-1)
- Expected LifeRefer to specifications (L10:Survival rate: 90% at 60°C ,
rated voltage, and continuously run in a free air state)
- Lead Wire⊕red ⊖black or blue (Sensor) yellow
- Storage Temperature-30°C to +70°C (Non-condensing)

127mm×32mm (Mass : 290g) **9BJ type****Specifications** The following nos. **have pulse sensors.**

Model No.	Rated Voltage [V]	Operating Voltage Range [V]	Rated Current [A]	Rated Input [W]	Rated Speed [min ⁻¹]	Max. Airflow [m ³ /min] [CFM]	Max. Static Pressure [Pa] [inchH ₂ O]	SPL [dB(A)]	Operating Temperature [°C]	Expected Life [h]	
109BJ12HC2	12	10.2 to 13.8	0.52	6.24	2,400	0.78	27.5	205.8	0.826	46	40,000/60°C
109BJ12MC2			0.29	3.48	1,900	0.61	21.5	109.8	0.441	40	
109BJ24HC2	24	20.4 to 27.6	0.26	6.24	2,400	0.78	27.5	205.8	0.826	46	
109BJ24MC2			0.15	3.6	1,900	0.61	21.5	109.8	0.441	40	

Other sensor specifications are available as options. Please refer to the index (p. 495).

Dimensions (unit: mm)**Airflow - Static Pressure Characteristics**
109BJ12HC2
109BJ24HC2

109BJ12MC2
109BJ24MC2