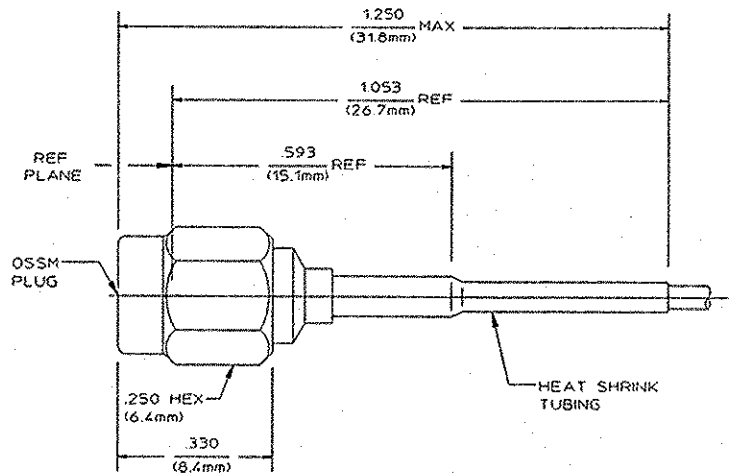


DESIGNED FOR USE WITH	
RG-178, 196/U FLEX CABLE	
CABLE ENTRY DIAMETER	
MINIMUM	
HOUSING	038
CONTACT	015

REVISIONS			
REV	DESCRIPTION	DATE	APPROVED
--	REVISED	2/3/94	<i>BB</i>
			<i>CAF</i> 2/3/94



COMPONENT	MATERIAL	FINISH
HOUSING	STAINLESS STEEL PER ASTM-A484 AND ASTM-A582, TYPE 303	GOLD PLATE PER MIL-G-45204 OVER NICKEL PLATE PER OO-N-290
COUPLING NUT	STAINLESS STEEL PER ASTM-A484 AND ASTM-A582, TYPE 303	PASSIVATE PER ASTM-A380
DIELECTRIC	TFE FLUOROCARBON PER ASTM-D-1457	N/A
CENTER CONTACT	BERYLLIUM COPPER PER ASTM-B196, ALLOY C17300, CONDITION H	GOLD PLATE PER MIL-G-45204 OVER COPPER PLATE PER MIL-C-14550
RETAINING RING	BERYLLIUM COPPER PER ASTM-B194, ALLOY C17200, CONDITION H	N/A
GASKET	SILICONE RUBBER PER ZZ-R-765	N/A
SHRINK TUBING	HEAT SHRINKABLE POLYOLEFIN COMPOUND MIL-I-23053/4	N/A
FERRULE	SOFT COPPER ALLOY	GOLD PLATE PER MIL-G-45204 OVER COPPER PLATE PER MIL-C-14550

COMPONENT	MATERIAL	FINISH																		
<table border="1"> <tr> <td>UNLESS OTHERWISE SPECIFIED DIMENSIONS ARE IN INCHES</td> <td>DATE</td> <td>1/13/72</td> </tr> <tr> <td>TOLERANCE ON</td> <td>DRAWN BY</td> <td>D.N.</td> </tr> <tr> <td>FRACTION</td> <td>DECIMAL</td> <td>ANGLES</td> </tr> <tr> <td>+ .004</td> <td>+ .005</td> <td>+ 1°</td> </tr> <tr> <td>APPROVED BY</td> <td>DATE</td> <td>1/19/72</td> </tr> <tr> <td>PRB</td> <td></td> <td>1/19/72</td> </tr> </table>			UNLESS OTHERWISE SPECIFIED DIMENSIONS ARE IN INCHES	DATE	1/13/72	TOLERANCE ON	DRAWN BY	D.N.	FRACTION	DECIMAL	ANGLES	+ .004	+ .005	+ 1°	APPROVED BY	DATE	1/19/72	PRB		1/19/72
UNLESS OTHERWISE SPECIFIED DIMENSIONS ARE IN INCHES	DATE	1/13/72																		
TOLERANCE ON	DRAWN BY	D.N.																		
FRACTION	DECIMAL	ANGLES																		
+ .004	+ .005	+ 1°																		
APPROVED BY	DATE	1/19/72																		
PRB		1/19/72																		
<table border="1"> <tr> <td colspan="3">TITLE</td> </tr> <tr> <td colspan="3">OSSM STRAIGHT CABLE PLUG-SOLDER ATTACHMENT</td> </tr> <tr> <td>SIZE</td> <td>CODE/CONT NO</td> <td>REV</td> </tr> <tr> <td>B</td> <td>26805</td> <td>1031-5001-02 01</td> </tr> <tr> <td>SCALE</td> <td colspan="2">SHEET 1 OF 1</td> </tr> </table>			TITLE			OSSM STRAIGHT CABLE PLUG-SOLDER ATTACHMENT			SIZE	CODE/CONT NO	REV	B	26805	1031-5001-02 01	SCALE	SHEET 1 OF 1				
TITLE																				
OSSM STRAIGHT CABLE PLUG-SOLDER ATTACHMENT																				
SIZE	CODE/CONT NO	REV																		
B	26805	1031-5001-02 01																		
SCALE	SHEET 1 OF 1																			

ELECTRICAL	MECHANICAL	ENVIRONMENTAL
Nominal Impedance (Ohms) 50	Interface Dimensions MIL-STD-348A, Fig. 319-1	Temperature Rating -65°C to +105°C
Frequency Range (GHz) DC to MAX	Recommended Mating	Vibration MIL-STD-202, Method 204, Condition D
Operating Frequency of the Applicable Cable, PER MIL-C-17	Torque 4 to 5 in/Lbs	Shock MIL-STD-202, Method 213, Condition I
Volt Rating (VRMS MAX) @ Sea Level 250	Mating Characteristics:	Thermal Shock MIL-STD-202, Method 107, Condition C.
VSWR 1.07 +0.015HGz	Insertion (MAX Lbs) 3.0	Except High Temp +200°C, when Used with +200°C Cable PER MIL-C-17
Insertion Loss (dB MAX) 0.2 /1GHz	Withdrawal (MIN Oz) 1.0	Moisture Resistance MIL-STD-202, Method 106, Except Vibration
RF Leakage (dB MIN) -160-(1GHz)	Force to Engage and Disengage (in/Lbs MAX) 2.0	Shall Be Omitted
Corona, 70,000 Ft (VRMS MIN) 190	Center Contact Captivation	Corrosion - MIL-STD-202, Method 101, Condition B, 5% salt spray
Dielectric Withstanding Voltage (VRMS MIN) @ Sea Level 750	Axial (Lbs) N/A	
Contact Resistance (Milliohms MAX)	Radiat (in/Oz) N/A	
Center Contact 4.0	Cable Retention	
Outer Contact 2.0	Axial Force (Lbs) 10	
Cable to Housing 5.0	Torque (in/Oz) N/A	
RF High Potential @ Sea Level (VRMS MIN @ 5 MHZ) 500	Weight (Grams) 1.8	
IR (Megohms MIN) 5000		

CUSTOMER

TYCO PART # 1045477

SHEET 1 of 1 REV 0

NOT THE LATEST REVISION