

GlobTek, Inc.  
 www.globtek.com  
 186 Veterans Drive,  
 Northvale, NJ 07647  
 Tel. (201) 784-1000  
 Fax (201) 784-0111

Drawing Title: GTM96600-4005.9-T3, ITE / Medical Power Supply/Class 2/Household Power Supply, Efficiency Level: VI, Case Color/Style: GlobTek Black, Desktop/External, Regulated Switchmode AC-DC Power Supply AC Adaptor, Input Rating: 100-240V~, 50-60Hz, IEC 60320/C14 , Output Rating: 40W, 5.9V@6.77A, Output Configuration: 1200 mm, 16/1C + Shield (large ground 40/0.20) Cond, UL 1185, T-plug system, Ferrite: Core size: 17.5\*28.5\*12.5, GlobTek Black, GT Cord # C20804, Pin Out: Polarity Configuration T00 All plugs are Medical Grade, Locking, Polarized once installed, and single use only. Product demonstration link: <https://en.globtek.com/news/t00-changeable-output-plug-system-for-power-supplies> MOLDED CONNECTORS AVAILABLE, Blades/Input Cord: Not Applicable, Approvals: CB 230V CoC Tier 2 ETL EAC South African cETLus cETLus cETLus S-Mark IRAM Ukraine CB Class I ETL NOM CCC RCM CB S-Mark ETL LPS cUL Taiwan BSMI Korea PSE PSE PSE WEEE VCCI CE Level VI China RoHS RoHS FCC

Model No. GTM96600-4005.9-T3

Part No./Ordering No. TR9CB6667T00CIMR6B

Rev E

## REVISION HISTORY

REV	DESCRIPTION	SUB	DATE	APPROVED
E	Change 5.95V to 5.9V, and current to 6.77A, change to <a href="#">UL 1185 16AWG 1C+SHIELD(large ground 40/0.20),OD 4.3mm</a> , add core size changed to 17.5*28.5*12.5, ferrite of turns changed to 2 pass thru core(1 turns)	QA	04/25/2018	QA
D	Update model from GTM96600-4005.95-T3 to GTM96600-4005.9-T3	QA	04/17/2018	QA
C1	Update engineering model from GTM96600-4006-T3 to GTM96600-4005.95-T3 Update out voltage from 6V to 5.95V	rchiu	05/22/2017	QA
C	Updating output cord from T00/C6179 to T00/C6192	rchiu	02/22/2017	QA
B	Change output current from 0.6667A to 0.66A	QA	01/18/2017	QA
A	Initial release	rchiu	11/22/2016	QA

In Addition to GlobTek Inc.'s renewed ISO9001:2008 - Quality Management System Certification, GlobTek Inc. is now certified to:

ISO13485:2003 - Medical Devices Quality Management System Certification

ISO14001:2004 - Environmental Management System Certification

ISO Certificates are available online at <http://www.globtek.com/iso-certificates/>

### Customer Approval of Specification:

Please approve, sign and send back to GlobTek so we can complete order processing.

A delay in receipt of this form will delay delivery schedule.

Company Name:

Customer P/N:

Quote Number:

Date:

Authorized Representative Name:

Authorized Representative Signature:

The acceptance of this specification and use of the product described in this document indicates the acceptance and binding of the customer to Globtek terms and conditions, which supersede all other agreements, terms, and conditions (<http://en.globtek.com/terms-and-conditions/>).

### Footnote:

GlobTek Inc. will not be liable for the safety and performance of these power supplies if unauthorized access and repair occurs. End user should consult applicable UL, CSA or EN standards for proper installation instruction.

### Limitation of Use:

GlobTek product are not authorized for use as mission critical components in life support hazardous environment, nuclear or aircraft applications without prior written approval from the CEO of GlobTek Inc.

Contents of this document are subject to change without prior notice.

GTM96600-4005.9-T3, 40W, 5.9V@6.77A, Desktop/External, Regulated Switchmode AC-DC Power Supply AC Adaptor

PROPRIETARY INFORMATION

PROPRIETARY OF GLOBTEK, INC. ANY REPRODUCTION, DISCLOSURE OR USE OF THIS DRAWING, IN WHOLE OR IN PART, IS HEREBY PROHIBITED EXCEPT AS SPECIFIED IN WRITING BY GLOBTEK, INC.

quest /08/20/2018 7:42:16 AM

GlobTek, Inc.  
 www.globtek.com  
 186 Veterans Drive,  
 Northvale, NJ 07647  
 Tel. (201) 784-1000  
 Fax (201) 784-0111

Drawing Title: GTM96600-4005.9-T3, ITE / Medical Power Supply/Class 2/Household Power Supply, Efficiency Level: VI, Case Color/Style: GlobTek Black, Desktop/External, Regulated Switchmode AC-DC Power Supply AC Adaptor, Input Rating: 100-240V~, 50-60Hz, IEC 60320/C14 , Output Rating: 40W, 5.9V@6.77A, Output Configuration: 1200 mm, 16/1C + Shield (large ground 40/0.20) Cond, UL 1185, T-plug system, Ferrite: Core size: 17.5\*28.5\*12.5, GlobTek Black, GT Cord # C20804, Pin Out: Polarity Configuration T00 All plugs are Medical Grade, Locking, Polarized once installed, and single use only. Product demonstration link: <https://en.globtek.com/news/t00-changeable-output-plug-system-for-power-supplies> MOLDED CONNECTORS AVAILABLE, Blades/Input Cord: Not Applicable, Approvals: CB 230V CoC Tier 2 ETL EAC South African cETLus cETLus S-Mark IRAM Ukraine CB Class I ETL NOM CCC RCM CB S-Mark ETL LPS cUL Taiwan BSMI Korea PSE PSE PSE WEEE VCCI CE Level VI China RoHS RoHS FCC

Model No. GTM96600-4005.9-T3

Part No./Ordering No. TR9CB6667T00CIMR6B

Rev E

**POWER SUPPLY INFORMATION**

TYPE: Desktop/External  
 TECHNOLOGY: Regulated Switchmode AC-DC Power Supply AC Adaptor  
 CASE COLOR: GlobTek Black  
 NAMEPLATE RATED INPUT: 100-240V~, 50-60Hz, 1.5A  
 INPUT CONFIG: IEC 60320/C14  
 WATTS: 40.0  
 VOLTS OUT: 5.9  
 CURRENT OUT (Amps): 6.77  
 BLADE/CORD INCLUDED: N/A:  
 BLADE/CORD INSTALLED: N/A:  
 GROUNDING CONFIGURATION (E1) Earthed output  
 EFFICIENCY LEVEL: VI  
 OUTPUT CONFIGURATION 1200 mm, 16/1C + Shield (large ground 40/0.20) Cond, UL 1185, T-plug system, Ferrite: Core size: 17.5\*28.5\*12.5, GlobTek Black, GT Cord # C20804  
 CONNECTOR PIN OUT: Polarity Configuration T00 All plugs are Medical Grade, Locking, Polarized once installed, and single use only. Product demonstration link: <https://en.globtek.com/news/t00-changeable-output-plug-system-for-power-supplies> MOLDED CONNECTORS AVAILABLE  
 LABEL SPECS: Standard GT,L-1186  
 PACK SPEC: Packing for DT plug model with T00 plug and manual

Notes/Modifications/Customizations (notes in this section supersede the values shown in the standard spec):

DIMENSIONS ARE IN MM UNLESS SPECIFIED OTHERWISE.

GlobTek, Inc.  
www.globtek.com  
186 Veterans Drive,  
Northvale, NJ 07647  
Tel. (201) 784-1000  
Fax (201) 784-0111

Drawing Title: GTM96600-4005.9-T3, ITE / Medical Power Supply/Class 2/Household Power Supply, Efficiency Level: VI,  
Case Color/Style: GlobTek Black, Desktop/External, Regulated Switchmode AC-DC Power Supply AC Adaptor, Input Rating:  
100-240V~, 50-60Hz, IEC 60320/C14, Output Rating: 40W, 5.9V@6.77A, Output Configuration: 1200 mm, 16/1C + Shield  
(large ground 40/0.20) Cond, UL 1185, T-plug system, Ferrite: Core size: 17.5\*28.5\*12.5, GlobTek Black, GT Cord # C20804,  
Pin Out: Polarity Configuration T00 All plugs are Medical Grade, Locking, Polarized once installed, and single use only.  
Product demonstration link: <https://en.globtek.com/news/t00-changeable-output-plug-system-for-power-supplies> MOLDED  
CONNECTORS AVAILABLE, Blades/Input Cord: Not Applicable, Approvals: CB 230V CoC Tier 2 ETL EAC South African  
cETLus cETLus cETLus S-Mark IRAM Ukraine CB Class I ETL NOM CCC RCM CB S-Mark ETL LPS cUL Taiwan BSMI  
Korea PSE PSE PSE WEEE VCCI CE Level VI China RoHS RoHS FCC

Model No. GTM96600-4005.9-T3

Part No./Ordering No. TR9CB6667T00CIMR6B

Rev E

## ELECTRICAL SPECIFICATIONS

### A) ELECTRICAL SPECIFICATIONS:

01. Input Voltage: Specified 90-264 Vac, Nameplate rated: 100-240Vac  
90-264 Vac range @ 100% of rated load current  
85-264 Vac range @ 85% of rated load current  
110-370 VDC range @ 100% of rated load current
02. Input Frequency: Specified 47-63 Hz, Nameplate rated 50-60Hz
03. Output Regulation: +/- 5% measured at the output connector
04. Line Voltage Regulation: +/- 0.5% typical measured at full load
05. Green Power On Indicator LED
06. Output Ripple (Vp-p): 1% or 100 mV whichever is greater, measured at 20 MHz bandwidth with 0.1 uf ceramic capacitor in parallel with a low impedance 47 uf electrolytic capacitor connected at the end of the output connector
07. Turn-ON/OFF Overshoot: 5% maximum, 1 mS typical recovery time for 40% to 70% step load
08. Turn-ON Delay: 1 second maximum @ full load, nominal line
09. Hold-Up Time: 8 mS typical @ nominal input voltage and full load
10. Inrush Current: 30A/60A maximum cold start @ 115/230Vac input
11. Efficiency: Compliant with Efficiency Level VI and CoC Tier 2 standards
12. No Load Standby Power: <0.075 W @ 230Vac for <= 49W output power rating,  
<0.15W @ 230Vac for > 49W output power rating

### B) PROTECTION

01. Input Protection: Input line fusing and 300Vac MOV
02. Short Circuit/ Overload: Electronically Protected unit will auto recover upon removal of fault  
Output Current Limit: 110% to 160% of rated output current  
(upper end of current limit range is determined by normal output power rating,  
not derated output power level)
03. Output Over-Voltage: 110% to 130% of nominal output voltage

### C) SAFETY

01. Dielectric Withstand Voltage: 4000Vac or 5656Vdc from input to output,  
On Class I models, 3000Vac or 4242Vdc from input to earth
02. Earth Leakage Current: Class I models < 300uA, N/A for Class II models
03. Touch Current: Class I models < 20uA, Class II models < 75uA
04. [Output Isolation Options](#):
  - a) C8 or C18 Inlet, Class II
  - b) C6 or C14 Inlet, Class II FE, Output Isolated from Earth contact
  - c) C6 or C14 Inlet, Class I, Output negative directly attached to Earth contact
05. Earth Continuity Test: < 0.1 Ohm between Earth Pin at AC input and PCB termination point (Class I models only)
06. Means of Protection: 2 x MOPP
07. Compliant Standards: See listings at end of this drawing for specifics

### D) EMC

EN 60601-1-2, 4<sup>th</sup> edition  
Emissions, per EN 55032, EN 61000-6-3, EN 61000-6-4  
Conducted Emissions: Class B, FCC Part 15, Class B  
Radiated Emissions: Class B, FCC Part 15, Class B  
Line Frequency Harmonics EN61000-3-2, Class A  
Voltage Fluctuations/Flicker EN61000-3-3  
  
Immunity, per EN 55024, EN 61000-6-1, EN 61000-6-2  
Static Discharge Immunity EN61000-4-2, 10kV Contact Discharge, 20kV air discharge  
Radiated RF Immunity EN61000-4-3, 10V/m 80-1000MHz, 3V/m 1-2.7GHz, 80% 1KHz AM.  
EFT/Burst Immunity EN61000-4-4, 4kV/100kHz.  
Line Surge Immunity EN61000-4-5, 2kV differential, 4kV common-mode  
Conducted RF Immunity EN61000-4-6, 3Vrms, 80% 1KHz AM  
Power Frequency Magnetic Field Immunity EN61000-4-8, 3A/m  
Voltage Dip Immunity EN61000-4-11, Criteria

### E) OTHER:

01. MTBF: 1,000,000 Hours @ 40°C ambient temperature, Full Load
02. Operating Temperature:

#### PROPRIETARY INFORMATION

PROPRIETARY OF GLOBTEK, INC. ANY REPRODUCTION, DISCLOSURE OR USE OF THIS DRAWING, IN WHOLE OR IN PART, IS HEREBY PROHIBITED EXCEPT AS SPECIFIED IN WRITING BY GLOBTEK, INC.

quest /08/20/2018 7:42:16 AM

GlobTek, Inc.  
www.globtek.com  
186 Veterans Drive,  
Northvale, NJ 07647  
Tel. (201) 784-1000  
Fax (201) 784-0111

Drawing Title: GTM96600-4005.9-T3, ITE / Medical Power Supply/Class 2/Household Power Supply, Efficiency Level: VI, Case Color/Style: GlobTek Black, Desktop/External, Regulated Switchmode AC-DC Power Supply AC Adaptor, Input Rating: 100-240V~, 50-60Hz, IEC 60320/C14 , Output Rating: 40W, 5.9V@6.77A, Output Configuration: 1200 mm, 16/1C + Shield (large ground 40/0.20) Cond, UL 1185, T-plug system, Ferrite: Core size: 17.5\*28.5\*12.5, GlobTek Black, GT Cord # C20804, Pin Out: Polarity Configuration T00 All plugs are Medical Grade, Locking, Polarized once installed, and single use only. Product demonstration link: <https://en.globtek.com/news/t00-changeable-output-plug-system-for-power-supplies> MOLDED CONNECTORS AVAILABLE, Blades/Input Cord: Not Applicable, Approvals: CB 230V CoC Tier 2 ETL EAC South African cETLus cETLus cETLus S-Mark IRAM Ukraine CB Class I ETL NOM CCC RCM CB S-Mark ETL LPS cUL Taiwan BSMI Korea PSE PSE PSE WEEE VCCI CE Level VI China RoHS RoHS FCC

Model No. GTM96600-4005.9-T3

Part No./Ordering No. TR9CB6667T00CIMR6B

Rev E

- GTM96600 models: -20°C to 40°C ambient temperature at full load,  
-20°C to 50°C ambient temperature with derating to 80% load  
03. Operating Humidity: 0% to 95% relative humidity, non-condensing  
04. Storage Temperature: -30°C to 80°C  
05. Operating Altitude: 5000 Meters  
06. Ingress Protection: IP40 standard, IP52 available as special option  
07. ROHS: Compliant with latest regulations, see approvals section below

#### F) ENCLOSURE

01. Housing: High impact plastic, 94V0 polycarbonate, non-vented  
02. Markings: Label or Laser Printed  
03. AC Input mechanical options: Desktop C6, C8, C14 or C18 IEC Inlet.  
Hybrid option (Desktop or Changeable Blade Wall Plug-in) Class I or Class II input

#### G) SPECIAL OPTIONS

01. Cost reduction, removal of LED  
02. Custom Cordsets, various cordage types, and connector types  
03. Custom Markings  
04. Short term Output Surge Capability  
05. Reduced Leakage Current versions  
06. Tightened output voltage tolerance  
07. Reduced output ripple level  
08. Reduced output power rating marking  
09. High Rel PCB laminate with Plated through Holes for IPC610 Class 2 Compliance  
10. Low Temperature operation, down to -40°C  
11. Special Housing Colors and Cordset Colors

#### H) OUTPUT CONNECTORS

Several output connector options are available with various output current ratings. GlobTek can supply 10A rated 2.1mm and 2.5mm style DC Power Jacks, to complement our 10A output rated 2.1mm and 2.5mm DC power plugs used on our output cordsets.

2.1mm PCB DC Power Jack ordering code: **JACK-C-PC-10A-RA(R)**

2.5mm PCB DC Power Jack ordering code: **JACK-L-PC-10A-RA(R)**

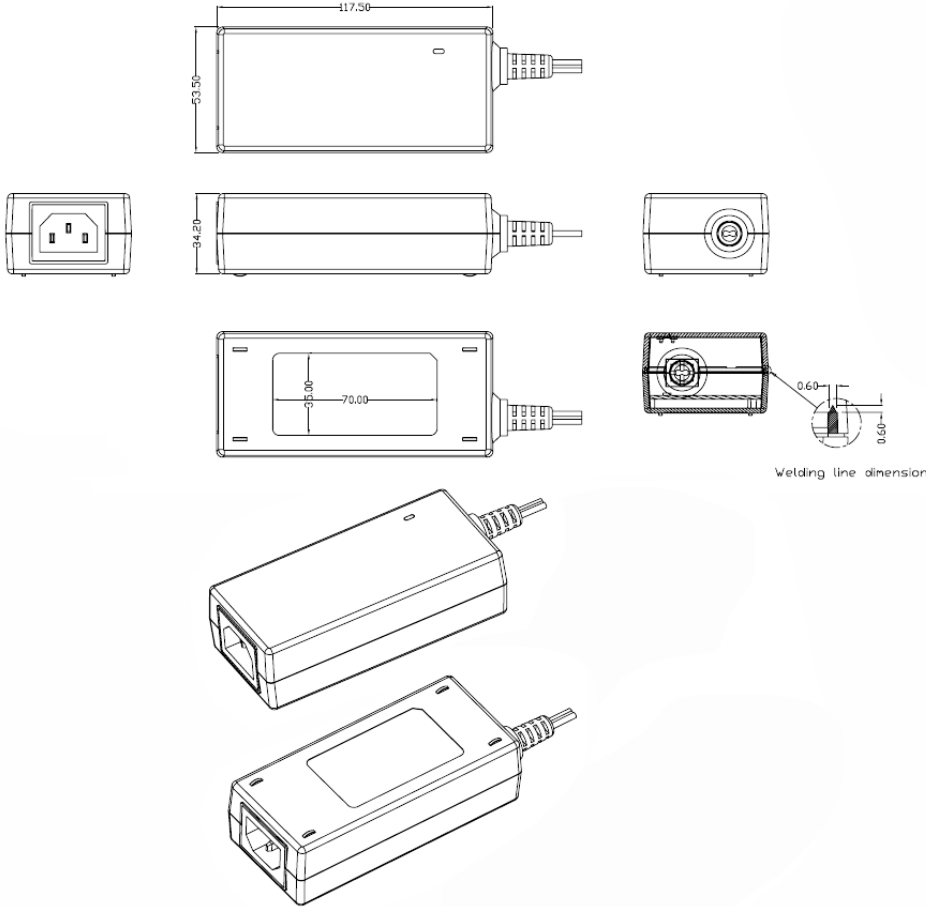
GlobTek, Inc.  
 www.globtek.com  
 186 Veterans Drive,  
 Northvale, NJ 07647  
 Tel. (201) 784-1000  
 Fax (201) 784-0111

Drawing Title: GTM96600-4005.9-T3, ITE / Medical Power Supply/Class 2/Household Power Supply, Efficiency Level: VI,  
 Case Color/Style: GlobTek Black, Desktop/External, Regulated Switchmode AC-DC Power Supply AC Adaptor, Input Rating:  
 100-240V~, 50-60Hz, IEC 60320/C14 , Output Rating: 40W, 5.9V@6.77A, Output Configuration: 1200 mm, 16/1C + Shield  
 (large ground 40/0.20) Cond, UL 1185, T-plug system, Ferrite: Core size: 17.5\*28.5\*12.5, GlobTek Black, GT Cord # C20804,  
 Pin Out: Polarity Configuration T00 All plugs are Medical Grade, Locking, Polarized once installed, and single use only.  
 Product demonstration link: <https://en.globtek.com/news/t00-changeable-output-plug-system-for-power-supplies> MOLDED  
 CONNECTORS AVAILABLE, Blades/Input Cord: Not Applicable, Approvals: CB 230V CoC Tier 2 ETL EAC South African  
 cETLus cETLus cETLus S-Mark IRAM Ukraine CB Class I ETL NOM CCC RCM CB S-Mark ETL LPS cUL Taiwan BSMI  
 Korea PSE PSE PSE WEEE VCCI CE Level VI China RoHS RoHS FCC

Model No. GTM96600-4005.9-T3

Part No./Ordering No. TR9CB6667T00CIMR6B

Rev E



GlobTek, Inc.  
 www.globtek.com  
 186 Veterans Drive,  
 Northvale, NJ 07647  
 Tel. (201) 784-1000  
 Fax (201) 784-0111

Drawing Title: GTM96600-4005.9-T3, ITE / Medical Power Supply/Class 2/Household Power Supply, Efficiency Level: VI,  
 Case Color/Style: GlobTek Black, Desktop/External, Regulated Switchmode AC-DC Power Supply AC Adaptor, Input Rating:  
 100-240V~, 50-60Hz, IEC 60320/C14 , Output Rating: 40W, 5.9V@6.77A, Output Configuration: 1200 mm, 16/1C + Shield  
 (large ground 40/0.20) Cond, UL 1185, T-plug system, Ferrite: Core size: 17.5\*28.5\*12.5, GlobTek Black, GT Cord # C20804,  
 Pin Out: Polarity Configuration T00 All plugs are Medical Grade, Locking, Polarized once installed, and single use only.  
 Product demonstration link: <https://en.globtek.com/news/t00-changeable-output-plug-system-for-power-supplies> MOLDED  
 CONNECTORS AVAILABLE, Blades/Input Cord: Not Applicable, Approvals: CB 230V CoC Tier 2 ETL EAC South African  
 cETLus cETLus cETLus S-Mark IRAM Ukraine CB Class I ETL NOM CCC RCM CB S-Mark ETL LPS cUL Taiwan BSMI  
 Korea PSE PSE PSE WEEE VCCI CE Level VI China RoHS RoHS FCC

Model No. GTM96600-4005.9-T3

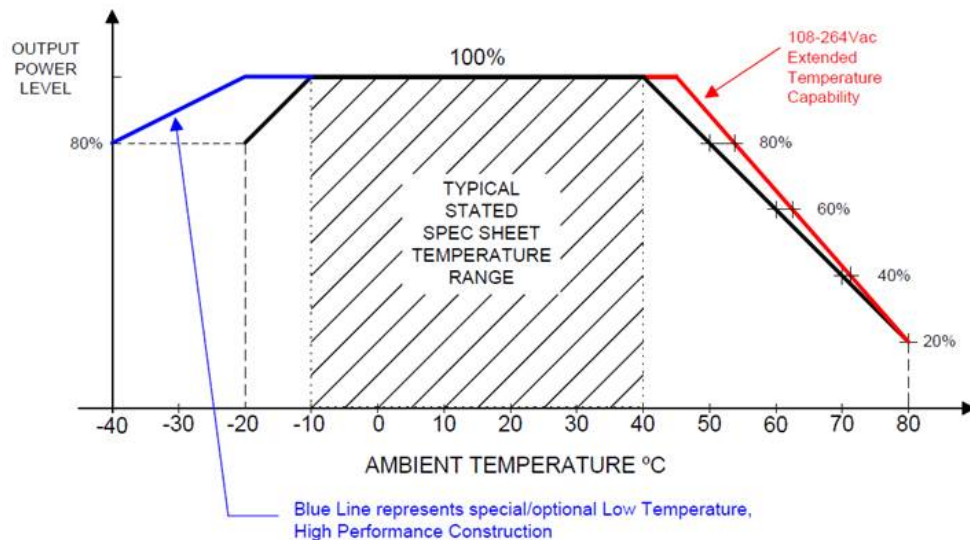
Part No./Ordering No. TR9CB6667T00CIMR6B

Rev E

DERATING CURVE

TYPICAL EXTERNAL POWER SUPPLY  
 DERATING CURVE

(FOR EFFICIENCY LEVEL V AND EFFICIENCY LEVEL VI PRODUCTS)



GlobTek, Inc.  
 www.globtek.com  
 186 Veterans Drive,  
 Northvale, NJ 07647  
 Tel. (201) 784-1000  
 Fax (201) 784-0111

Drawing Title: GTM96600-4005.9-T3, ITE / Medical Power Supply/Class 2/Household Power Supply, Efficiency Level: VI, Case Color/Style: GlobTek Black, Desktop/External, Regulated Switchmode AC-DC Power Supply AC Adaptor, Input Rating: 100-240V~, 50-60Hz, IEC 60320/C14 , Output Rating: 40W, 5.9V@6.77A, Output Configuration: 1200 mm, 16/1C + Shield (large ground 40/0.20) Cond, UL 1185, T-plug system, Ferrite: Core size: 17.5\*28.5\*12.5, GlobTek Black, GT Cord # C20804, Pin Out: Polarity Configuration T00 All plugs are Medical Grade, Locking, Polarized once installed, and single use only. Product demonstration link: <https://en.globtek.com/news/t00-changeable-output-plug-system-for-power-supplies> MOLDED CONNECTORS AVAILABLE, Blades/Input Cord: Not Applicable, Approvals: CB 230V CoC Tier 2 ETL EAC South African cETLus cETLus S-Mark IRAM Ukraine CB Class I ETL NOM CCC RCM CB S-Mark ETL LPS cUL Taiwan BSMI Korea PSE PSE PSE WEEE VCCI CE Level VI China RoHS RoHS FCC

Model No. GTM96600-4005.9-T3

Part No./Ordering No. TR9CB6667T00CIMR6B

Rev E

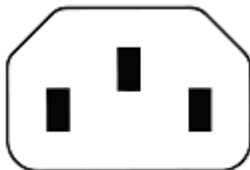
## INPUT CONFIGURATION

Grounding Configuration:

Blades/Cord Included: N/A:

Blades/Cord Installed: N/A:

IEC 60320/C14 AC Inlet Connector, Class I, Earth Ground



Mates with IEC 60320/C13 Plug

Optional Locking IEC60320 Receptacle and cord option available on some models by request.:



### [Standard International IEC 320/C13 Cordsets](#)

Below are standard cordsets which are "not included" (unless stated above); these can be purchased separately or packaged with the power supply. Contact your Sales Engineer if the style required is not shown below. Many more available in different lengths, colors or cable material.

## Stock Power Supply Cords

Part Number/ Link	Country	Plug	Termination	Length (mm)	(Ft)
3 Conductors (Grounded) IEC 320/C13					
<a href="#">3021457F701(R)</a>	N. American	NEMA 5-15P	IEC 320/C13	2150	7
<a href="#">1191068F0701(R)</a>	N. American	NEMA 5-15P Hospital	IEC 320/C13	2459	8
<a href="#">2194272M5701-T(R)</a>	Argentina	IRAM 2073	IEC 320/C13	2500	8
<a href="#">5502022M5701A(R)</a>	Australian	AS3112 / 3 PRONG	IEC 320/C13	2500	8
<a href="#">204B4272M5701(R)</a>	Brazil	BRAZILIAN; WS-002	IEC 320/C13	2500	8

PROPRIETARY INFORMATION

PROPRIETARY OF GLOBTEK, INC. ANY REPRODUCTION, DISCLOSURE OR USE OF THIS DRAWING, IN WHOLE OR IN PART, IS HEREBY PROHIBITED EXCEPT AS SPECIFIED IN WRITING BY GLOBTEK, INC.

GlobTek, Inc.  
www.globtek.com  
186 Veterans Drive,  
Northvale, NJ 07647  
Tel. (201) 784-1000  
Fax (201) 784-0111

Drawing Title: GTM96600-4005.9-T3, ITE / Medical Power Supply/Class 2/Household Power Supply, Efficiency Level: VI, Case Color/Style: GlobTek Black, Desktop/External, Regulated Switchmode AC-DC Power Supply AC Adaptor, Input Rating: 100-240V~, 50-60Hz, IEC 60320/C14 , Output Rating: 40W, 5.9V@6.77A, Output Configuration: 1200 mm, 16/1C + Shield (large ground 40/0.20) Cond, UL 1185, T-plug system, Ferrite: Core size: 17.5\*28.5\*12.5, GlobTek Black, GT Cord # C20804, Pin Out: Polarity Configuration T00 All plugs are Medical Grade, Locking, Polarized once installed, and single use only. Product demonstration link: https://en.globtek.com/news/t00-changeable-output-plug-system-for-power-supplies MOLDED CONNECTORS AVAILABLE, Blades/Input Cord: Not Applicable, Approvals: CB 230V CoC Tier 2 ETL EAC South African cETLus cETLus cETLus S-Mark IRAM Ukraine CB Class I ETL NOM CCC RCM CB S-Mark ETL LPS cUL Taiwan BSMI Korea PSE PSE PSE WEEE VCCI CE Level VI China RoHS RoHS FCC

Model No. GTM96600-4005.9-T3

Part No./Ordering No. TR9CB6667T00CIMR6B

Rev E

<a href="#">6023602M5701(R)</a>	China	CCC GR2099	IEC 320/C13	2500	8
<a href="#">G8014272M5701(R)</a>	Danish	AFSNIT SECTION 107-2-D1	IEC 320/C13	2500	8
<a href="#">23144272M5701-T(R)</a>	Europe	CEE 7/7	IEC 320/C13	2500	8
2084272M5701(R)	India	India IS 1293 (also known as IA16A3 or BS546)	IEC 320/C13	2500	8
<a href="#">377C4272M5701(R)</a>	Israel	ISL 377C	IEC 320/C13	2500	8
<a href="#">23024272M5701(R)</a>	Italy	CEI 23-16/VII	IEC 320/C13	2500	8
<a href="#">3003339F701(R)</a> [3x1.25mm2] <a href="#">3003068F2701-HK(R)</a> [3 x 2.0mm2]	Japan	JIS 8303 / 3 PINS	IEC 320/C13	2500	8
<a href="#">2313K3432M5701(R)</a>	Korea	KS C 8305	IEC 320/C13	2500	8
23144272M5701-T(R) [Same as Europe Above]	Russia	GOST 7396	IEC 320/C13	2500	8
<a href="#">2084272M5701(R)</a>	S. Africa	S. African	IEC 320/C13	2500	8
<a href="#">23214272M5701(R)</a>	Switzerland	SEV 1011 ( EL 203)	IEC 320/C13	2500	8
<a href="#">3003322M5701(R)</a>	Taiwan	BSMI	IEC 320/C13	2500	8
<a href="#">PZ0800100-2M5BK13H(R)</a>	UK	BS 1363A	IEC 320/C13	2500	8
<a href="#">7055002M5701A(R)</a>	International	IEC 320 C14-C13	IEC 320/C13	2500	8



GlobTek, Inc.  
 www.globtek.com  
 186 Veterans Drive,  
 Northvale, NJ 07647  
 Tel. (201) 784-1000  
 Fax (201) 784-0111

Drawing Title: GTM96600-4005.9-T3, ITE / Medical Power Supply/Class 2/Household Power Supply, Efficiency Level: VI, Case Color/Style: GlobTek Black, Desktop/External, Regulated Switchmode AC-DC Power Supply AC Adaptor, Input Rating: 100-240V~, 50-60Hz, IEC 60320/C14 , Output Rating: 40W, 5.9V@6.77A, Output Configuration: 1200 mm, 16/1C + Shield (large ground 40/0.20) Cond, UL 1185, T-plug system, Ferrite: Core size: 17.5\*28.5\*12.5, GlobTek Black, GT Cord # C20804, Pin Out: Polarity Configuration T00 All plugs are Medical Grade, Locking, Polarized once installed, and single use only. Product demonstration link: <https://en.globtek.com/news/t00-changeable-output-plug-system-for-power-supplies> MOLDED CONNECTORS AVAILABLE, Blades/Input Cord: Not Applicable, Approvals: CB 230V CoC Tier 2 ETL EAC South African cETLus cETLus cETLus S-Mark IRAM Ukraine CB Class I ETL NOM CCC RCM CB S-Mark ETL LPS cUL Taiwan BSMI Korea PSE PSE PSE WEEE VCCI CE Level VI China RoHS RoHS FCC

Model No. GTM96600-4005.9-T3

Part No./Ordering No. TR9CB6667T00CIMR6B

Rev E

**OUTPUT CORD AND CONNECTOR: T00/C20804**

ACTUAL CONNECTORS, OVERMOLDS, FERRITES MAY VARY SLIGHTLY FROM THE PICTURE BELOW

CABLE TYPE	UL 1185
CABLE LENGTH (mm)	1200
CABLE TOLERANCE (mm)	± 50
WIRE GAUGE (AWG)	16
CONDUCTORS	1C + Shield (large ground 40/0.20)
HANK DIMENSION (mm)	80 ± 10
CABLE / CONNECTOR OVERMOLD COLOR	GlobTek Black
FERRITE TYPE / DIMENSION	Core size: 17.5*28.5*12.5
FERRITE # OF TURNS ( <a href="#">Definition</a> )	2 Pass thru core (1 turns)
FERRITE DIMENSION FROM STRAIN RELIEF	50±10
FERRITE DIMENSION FROM PLUG	N/A
PLUG TYPE	T-plug system
OVER MOLD ORIENTATION	Straight
CONNECTOR PIN OUT:	Polarity Configuration T00 All plugs are Medical Grade, Locking, Polarized once installed, and single use only. Product demonstration link: <a href="https://en.globtek.com/news/t00-changeable-output-plug-system-for-power-supplies">https://en.globtek.com/news/t00-changeable-output-plug-system-for-power-supplies</a> MOLDED CONNECTORS AVAILABLE

**ADDITIONAL REQUIREMENTS**

This novel system allows for rapid shipment of prototype samples or small quantities of common output voltage and current which can fulfill the needs of most common barrel plug specs. The table below explains the standard and non standard options available as part of this system. This system also allows for both Center Positive and Center Negative polarity.

The T00 plug and adapters are Medical Grade, single use only, Polarized after installation, and not removable without use of special tool.

Any of the below options, and more, are available as molded plugs from stock or special order. Please contact GlobTek for more information

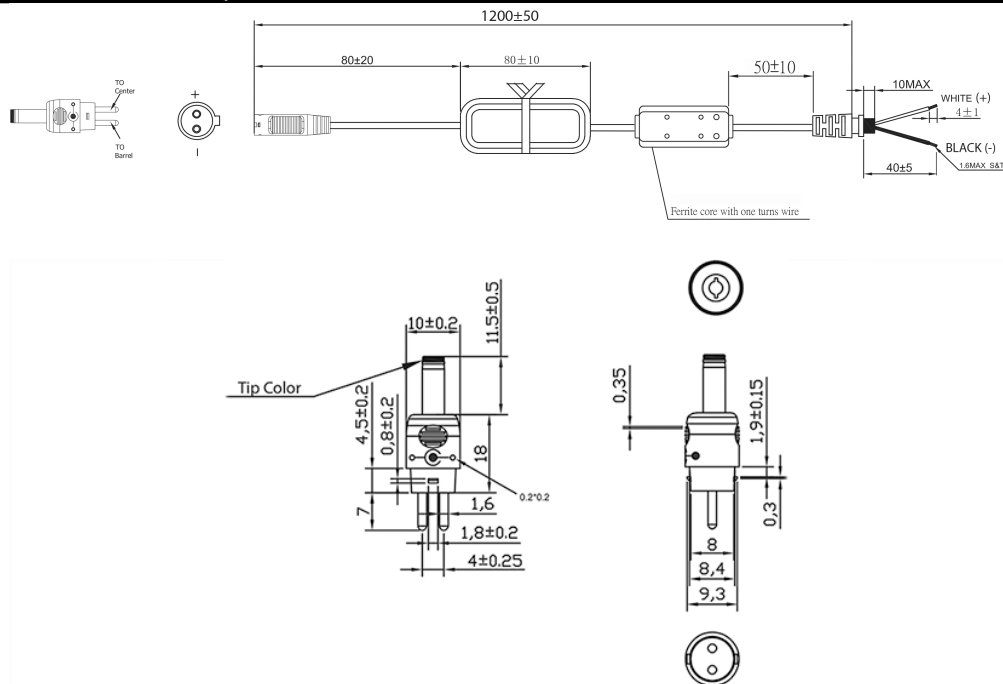
GlobTek, Inc.  
 www.globtek.com  
 186 Veterans Drive,  
 Northvale, NJ 07647  
 Tel. (201) 784-1000  
 Fax (201) 784-0111

Drawing Title: GTM96600-4005.9-T3, ITE / Medical Power Supply/Class 2/Household Power Supply, Efficiency Level: VI, Case Color/Style: GlobTek Black, Desktop/External, Regulated Switchmode AC-DC Power Supply AC Adaptor, Input Rating: 100-240V~, 50-60Hz, IEC 60320/C14 , Output Rating: 40W, 5.9V@6.77A, Output Configuration: 1200 mm, 16/1C + Shield (large ground 40/0.20) Cond, UL 1185, T-plug system, Ferrite: Core size: 17.5\*28.5\*12.5, GlobTek Black, GT Cord # C20804, Pin Out: Polarity Configuration T00 All plugs are Medical Grade, Locking, Polarized once installed, and single use only. Product demonstration link: <https://en.globtek.com/news/t00-changeable-output-plug-system-for-power-supplies> MOLDED CONNECTORS AVAILABLE, Blades/Input Cord: Not Applicable, Approvals: CB 230V CoC Tier 2 ETL EAC South African cETLus cETLus cETLus S-Mark IRAM Ukraine CB Class I ETL NOM CCC RCM CB S-Mark ETL LPS cUL Taiwan BSMI Korea PSE PSE PSE WEEE VCCI CE Level VI China RoHS RoHS FCC

Model No. GTM96600-4005.9-T3

Part No./Ordering No. TR9CB6667T00CIMR6B

Rev E



Part #	CROSS REFERENCE	OUTER DIAMETER	INNER DIAMETER	PINLENGTH	FORM FACTOR	MALE/FEMALE	INCLUDED IN T00 KIT	TIP COLOR
T-K-11-S(R)	Philmore® 204/2049		3.5	1.3-	11STRAIGHT	Female	x	Blue
T-EJ2-95-S(R)	Philmore® 240 plug		4	1.7-	9.5STRAIGHT	Female	Order Separately	Brown
T-EJ3-95-S(R)	Philmore® 275 plug		4.75	1.7-	9.5STRAIGHT	Female	Order Separately	Red
T-C-95-S(R)	Switchcraft® 722A		5.5	2.1-	9.5STRAIGHT	Female	Order Separately	Yellow
T-C-12-S(R)	Switchcraft® 722A		5.5	2.1-	12STRAIGHT	Female	x	Yellow
T-L-95-S(R)	Switchcraft® 712A		5.5	2.5-	9.5STRAIGHT	Female	Order Separately	Black
T-L-12-S(R)	Switchcraft® 712A		5.5	2.5-	12STRAIGHT	Female	x	Black
T-EJ4-95-S(R)	Philmore® 255 plug		5.5	3.3 1	9.5STRAIGHT	Female	Order Separately	Orange
T-EJ1-95-S(R)	Philmore 235 plug		2.35	0.7	9.5STRAIGHT	Female	Order Separately	Yellow
T-EJ5-115-S(R)	Philmore 265 plug		6.5	6 1	11.5STRAIGHT	Female	Order Separately	Black

**STRAIGHT Female Barrels are available in length of 9mm-14mm**

ADDITIONAL OUTPUT PLUG OPTIONS ARE AVAILABLE AT <http://www.globtek.com/connectors/>

STANDARD PLUGS AND CONNECTORS CAN BE SEEN ONLINE AT <http://www.globtek.com/connectors/>

GlobTek, Inc.  
 www.globtek.com  
 186 Veterans Drive,  
 Northvale, NJ 07647  
 Tel. (201) 784-1000  
 Fax (201) 784-0111

Drawing Title: GTM96600-4005.9-T3, ITE / Medical Power Supply/Class 2/Household Power Supply, Efficiency Level: VI, Case Color/Style: GlobTek Black, Desktop/External, Regulated Switchmode AC-DC Power Supply AC Adaptor, Input Rating: 100-240V~, 50-60Hz, IEC 60320/C14 , Output Rating: 40W, 5.9V@6.77A, Output Configuration: 1200 mm, 16/1C + Shield (large ground 40/0.20) Cond, UL 1185, T-plug system, Ferrite: Core size: 17.5\*28.5\*12.5, GlobTek Black, GT Cord # C20804, Pin Out: Polarity Configuration T00 All plugs are Medical Grade, Locking, Polarized once installed, and single use only. Product demonstration link: https://en.globtek.com/news/t00-changeable-output-plug-system-for-power-supplies MOLDED CONNECTORS AVAILABLE, Blades/Input Cord: Not Applicable, Approvals: CB 230V CoC Tier 2 ETL EAC South African cETLus cETLus cETLus S-Mark IRAM Ukraine CB Class I ETL NOM CCC RCM CB S-Mark ETL LPS cUL Taiwan BSMI Korea PSE PSE PSE WEEE VCCI CE Level VI China RoHS RoHS FCC

Model No. GTM96600-4005.9-T3

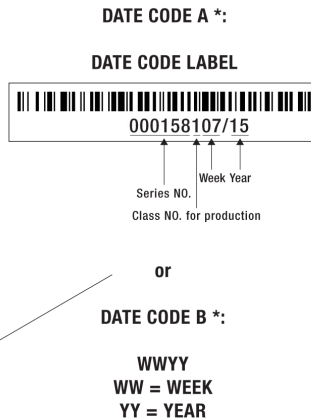
Part No./Ordering No. TR9CB6667T00CIMR6B

Rev E

**LABEL:L-1186**

LABEL P/N: Standard GT  
 MATERIAL: Flat Thermal Transfer, Imprintable, Polyester Label and/or Pad Printed and/or Molded, and/or Laser Engraved in the case  
 BACKGROUND COLOR: Black if housing is Black, White or Silver if housing is White or Gray.  
 TEXT COLOR: White or Silver if label is Black Background for Black housing. Black if label is White or Silver background and Housing is White or Gray  
 LABEL WIDTH (mm): 35.0  
 LABEL HEIGHT (mm): 70.0

Below is the minimum information which will appear on the label. NOTE: in the logo area additional/actual positioning of symbols and text is subjected to change as per agency updates/requirements or additional model approvals become available. Regulatory certifications/label markings may be in logo area on the label or molded into the case housing outside the label area. Information will be shown via label and/or pad printed and/or molded and/or laser engraved in the case. \* Date code markings at GlobTek option.



A=ITE / Medical Power Supply/Class 2/Household Power Supply  
 B=P/N: (料号) TR9CB6667T00CIMR6B  
 C=Model (型号) GTM96600-4005.9-T3  
 D=Input (输入) 100-240V~, 50-60Hz, 1.5A  
 E=Output (输出) 5.9 V  $\overline{\text{---}}$  6.77 A ,40.0W

- AGENCY ONLINE DOCUMENTS <http://www.globtek.info/certs/GTM96600-TZ/>
- CE EC-Declaration for Medical [http://www.globtek.com/pdf/ec\\_declaration/a00a000000MmCcmEAF](http://www.globtek.com/pdf/ec_declaration/a00a000000MmCcmEAF)
- CE EC-Declaration for Industrial/Commercial/ITE [http://www.globtek.com/pdf/ec\\_declaration/a00a000000MmCcmEAF](http://www.globtek.com/pdf/ec_declaration/a00a000000MmCcmEAF)
- RoHS/RoHS2 Declaration [http://www.globtek.com/pdf/rohs\\_cert/01ta0000007cWPOAA2](http://www.globtek.com/pdf/rohs_cert/01ta0000007cWPOAA2)
- REACH Declaration [http://www.globtek.com/pdf/iso\\_certificates/REACH.pdf](http://www.globtek.com/pdf/iso_certificates/REACH.pdf)

GlobTek, Inc.  
www.globtek.com  
186 Veterans Drive,  
Northvale, NJ 07647  
Tel. (201) 784-1000  
Fax (201) 784-0111

Drawing Title: GTM96600-4005.9-T3, ITE / Medical Power Supply/Class 2/Household Power Supply, Efficiency Level: VI,  
Case Color/Style: GlobTek Black, Desktop/External, Regulated Switchmode AC-DC Power Supply AC Adaptor, Input Rating:  
100-240V~, 50-60Hz, IEC 60320/C14 , Output Rating: 40W, 5.9V@6.77A, Output Configuration: 1200 mm, 16/1C + Shield  
(large ground 40/0.20) Cond, UL 1185, T-plug system, Ferrite: Core size: 17.5\*28.5\*12.5, GlobTek Black, GT Cord # C20804,  
Pin Out: Polarity Configuration T00 All plugs are Medical Grade, Locking, Polarized once installed, and single use only.  
Product demonstration link: <https://en.globtek.com/news/t00-changeable-output-plug-system-for-power-supplies> MOLDED  
CONNECTORS AVAILABLE, Blades/Input Cord: Not Applicable, Approvals: CB 230V CoC Tier 2 ETL EAC South African  
cETLus cETLus cETLus S-Mark IRAM Ukraine CB Class I ETL NOM CCC RCM CB S-Mark ETL LPS cUL Taiwan BSMI  
Korea PSE PSE PSE WEEE VCCI CE Level VI China RoHS RoHS FCC

Model No. GTM96600-4005.9-T3

Part No./Ordering No. TR9CB6667T00CIMR6B

Rev E

Conflict Minerals Declaration

<http://www.globtek.com/pdf/conflict-minerals.pdf>

IPXY rating is based on 3rd party testing and customers should check suitability and test system level IPXY rating before ordering.

## Regulatory Certifications/Label Markings

LATEST PRODUCT/MODEL CERTIFICATIONS: <http://en.globtek.com/datasheet/id/a00a000000MmCcm>

AGENCY ONLINE DOCUMENTS: <http://www.globtek.info/certs/GTM96600-TZ/>

Polarity Configuration T00 All plugs are Medical Grade, Locking, Polarized once installed, and single use  
only. Product demonstration link:

<https://en.globtek.com/news/t00-changeable-output-plug-system-for-power-supplies> MOLDED  
CONNECTORS AVAILABLE

GlobTek, Inc.  
 www.globtek.com  
 186 Veterans Drive,  
 Northvale, NJ 07647  
 Tel. (201) 784-1000  
 Fax (201) 784-0111

Drawing Title: GTM96600-4005.9-T3, ITE / Medical Power Supply/Class 2/Household Power Supply, Efficiency Level: VI, Case Color/Style: GlobTek Black, Desktop/External, Regulated Switchmode AC-DC Power Supply AC Adaptor, Input Rating: 100-240V~, 50-60Hz, IEC 60320/C14 , Output Rating: 40W, 5.9V@6.77A, Output Configuration: 1200 mm, 16/1C + Shield (large ground 40/0.20) Cond, UL 1185, T-plug system, Ferrite: Core size: 17.5\*28.5\*12.5, GlobTek Black, GT Cord # C20804, Pin Out: Polarity Configuration T00 All plugs are Medical Grade, Locking, Polarized once installed, and single use only. Product demonstration link: <https://en.globtek.com/news/t00-changeable-output-plug-system-for-power-supplies> MOLDED CONNECTORS AVAILABLE, Blades/Input Cord: Not Applicable, Approvals: CB 230V CoC Tier 2 ETL EAC South African cETLus cETLus cETLus S-Mark IRAM Ukraine CB Class I ETL NOM CCC RCM CB S-Mark ETL LPS cUL Taiwan BSMI Korea PSE PSE PSE WEEE VCCI CE Level VI China RoHS RoHS FCC

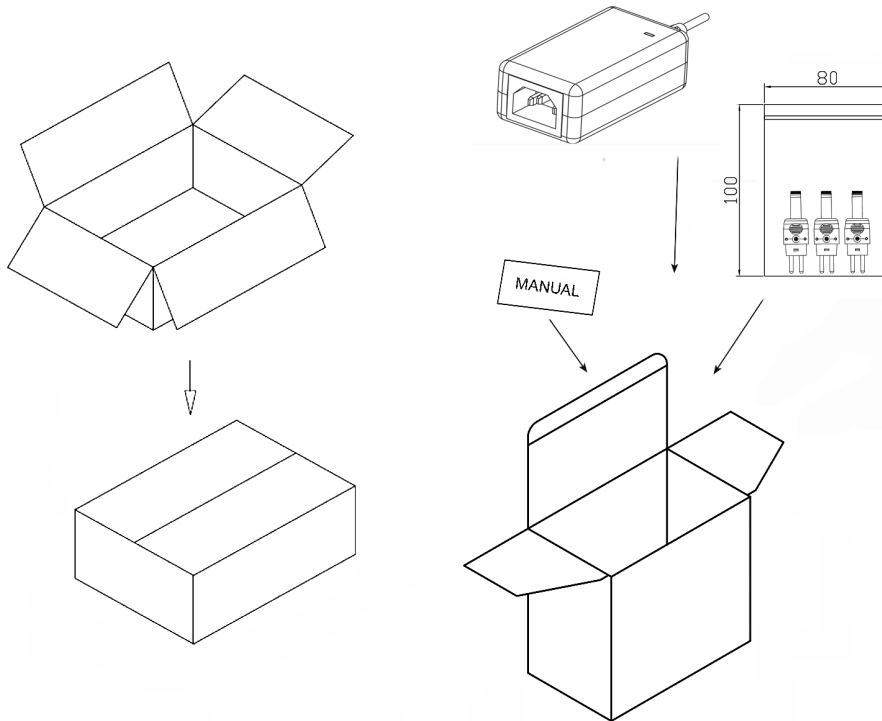
Model No. GTM96600-4005.9-T3

Part No./Ordering No. TR9CB6667T00CIMR6B

Rev E

**PACKAGING**

Packing Spec P/N:	Packing for DT plug model with T00 plug and manual
Box Qty:	20
Gift Box Size (mm):	Egg Crate
Gift Box Color:	None
Master Carton Size (mm):	427*405*158
Master GW (Kg):	15.6 kg
BLADES INCLUDED:	N/A:
BLADE/CORD INSTALLED:	N/A:



Manual for T00-plug:


GlobTek, Inc.  
 www.globtek.com  
 186 Veterans Drive,  
 Northvale, NJ 07647  
 Tel. (201) 784-1000  
 Fax (201) 784-0111

Drawing Title: GTM96600-4005.9-T3, ITE / Medical Power Supply/Class 2/Household Power Supply, Efficiency Level: VI, Case Color/Style: GlobTek Black, Desktop/External, Regulated Switchmode AC-DC Power Supply AC Adaptor, Input Rating: 100-240V~, 50-60Hz, IEC 60320/C14 , Output Rating: 40W, 5.9V@6.77A, Output Configuration: 1200 mm, 16/1C + Shield (large ground 40/0.20) Cond, UL 1185, T-plug system, Ferrite: Core size: 17.5\*28.5\*12.5, GlobTek Black, GT Cord # C20804, Pin Out: Polarity Configuration T00 All plugs are Medical Grade, Locking, Polarized once installed, and single use only. Product demonstration link: <https://en.globtek.com/news/t00-changeable-output-plug-system-for-power-supplies> MOLDED CONNECTORS AVAILABLE, Blades/Input Cord: Not Applicable, Approvals: CB 230V CoC Tier 2 ETL EAC South African cETLus cETLus cETLus S-Mark IRAM Ukraine CB Class I ETL NOM CCC RCM CB S-Mark ETL LPS cUL Taiwan BSMI Korea PSE PSE PSE WEEE VCCI CE Level VI China RoHS RoHS FCC

Model No. GTM96600-4005.9-T3

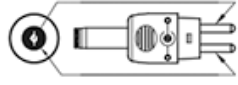
Part No./Ordering No. TR9CB6667T00CIMR6B

Rev E




**T-Tip Instructions**

- Color of tip indicates dimensions of barrel
- Polarity is dependent on how tip is inserted in to T-base



This Pin Connects to Center



This Pin Connects to Barrel

PART NO	DIAMETER		LENGTH	TIP COLOR
	OUTER	INNER		
T-C-12-S(R)	5.5	2.1	12	YELLOW
T-L-12-S(R)	5.5	2.5	12	BLACK
T-K-11-S(R)	3.5	1.3	11	BLUE
T-EJ2-95-S(R)	4.0	1.7	9.5	BROWN
T-EJ3-95-S(R)	4.75	1.7	9.5	RED
T-EJ4-95-S(R)	5.5	3.3	9.5	ORANGE
T-EJ1-95-S(R)	2.35	0.7	9.5	YELLOW
T-EJ5-115-S(R)	6.5	6.0	11.5	BLACK

On the back blank side add:

**Molded options available upon request**

GlobTek, Inc.  
www.globtek.com  
186 Veterans Drive,  
Northvale, NJ 07647  
Tel. (201) 784-1000  
Fax (201) 784-0111

Drawing Title: GTM96600-4005.9-T3, ITE / Medical Power Supply/Class 2/Household Power Supply, Efficiency Level: VI,  
Case Color/Style: GlobTek Black, Desktop/External, Regulated Switchmode AC-DC Power Supply AC Adaptor, Input Rating:  
100-240V~, 50-60Hz, IEC 60320/C14 , Output Rating: 40W, 5.9V@6.77A, Output Configuration: 1200 mm, 16/1C + Shield  
(large ground 40/0.20) Cond, UL 1185, T-plug system, Ferrite: Core size: 17.5\*28.5\*12.5, GlobTek Black, GT Cord # C20804,  
Pin Out: Polarity Configuration T00 All plugs are Medical Grade, Locking, Polarized once installed, and single use only.  
Product demonstration link: <https://en.globtek.com/news/t00-changeable-output-plug-system-for-power-supplies> MOLDED  
CONNECTORS AVAILABLE, Blades/Input Cord: Not Applicable, Approvals: CB 230V CoC Tier 2 ETL EAC South African  
cETLus cETLus cETLus S-Mark IRAM Ukraine CB Class I ETL NOM CCC RCM CB S-Mark ETL LPS cUL Taiwan BSMI  
Korea PSE PSE PSE WEEE VCCI CE Level VI China RoHS RoHS FCC

Model No. GTM96600-4005.9-T3

Part No./Ordering No. TR9CB6667T00CIMR6B

Rev E

## INSTRUCTION SHEET

N/A