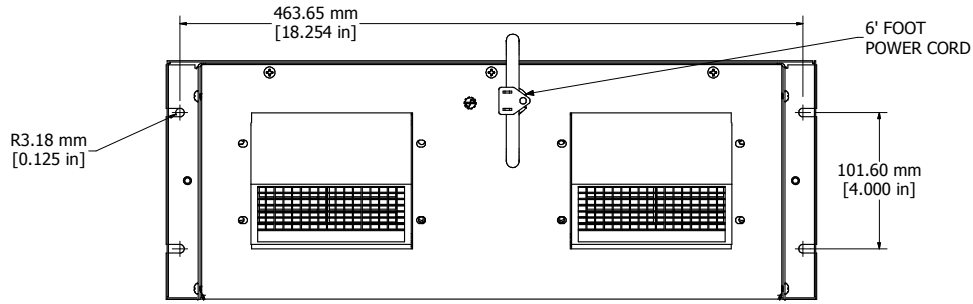
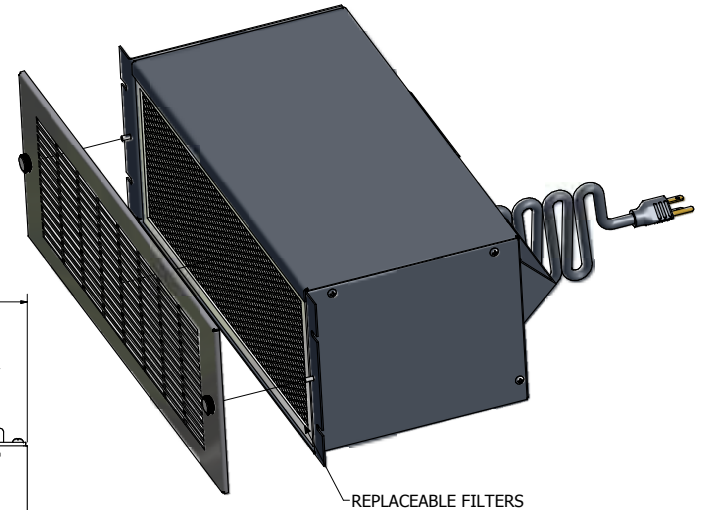


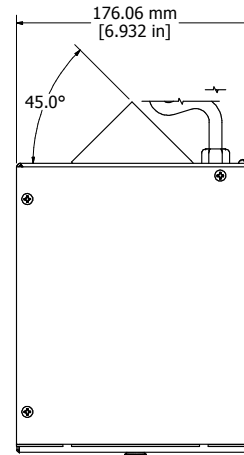
8 | 7 | 6 | 5 | 4 | 3 | 2 | 1



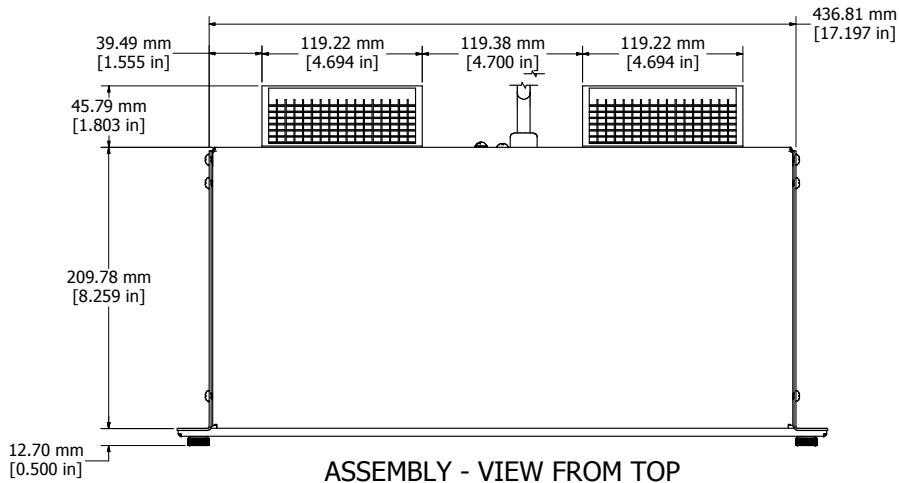
ASSEMBLY - VIEW FROM BACK



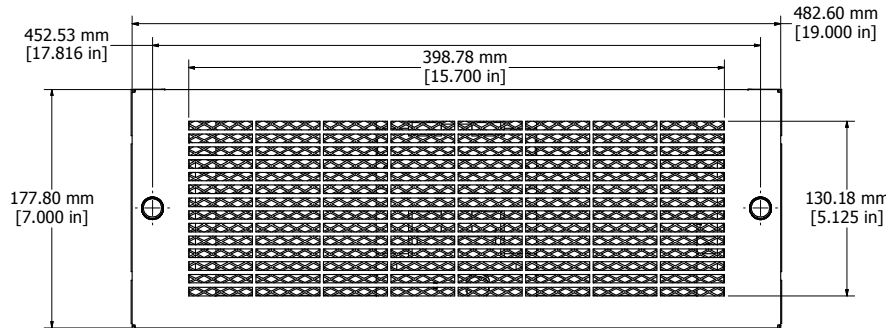
ISOMETRIC VIEW



ASSEMBLY - VIEW FROM SIDE



ASSEMBLY - VIEW FROM TOP



ASSEMBLY - VIEW FROM FRONT

HB4500A
Finish - Front Screen - Polished Stainless Steel
- Case - Painted Black Steel
115 VAC, 50/60 Hz, 2.5 Amps, 405/465 CFM
Motor - UL Recognized, CSA Certified, Ball Bearing Type
ACCESSORIES
Replacement Filter - HB4UFILTER (Package of 5)

**HAMMOND
MANUFACTURING™**
HB4500A
www.hammondmfg.com

8 | 7 | 6 | 5 | 4 | 3 | 2 | 1