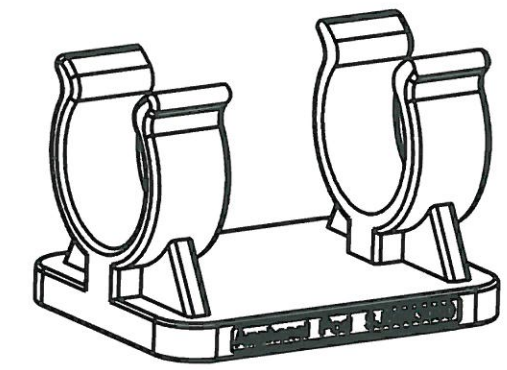
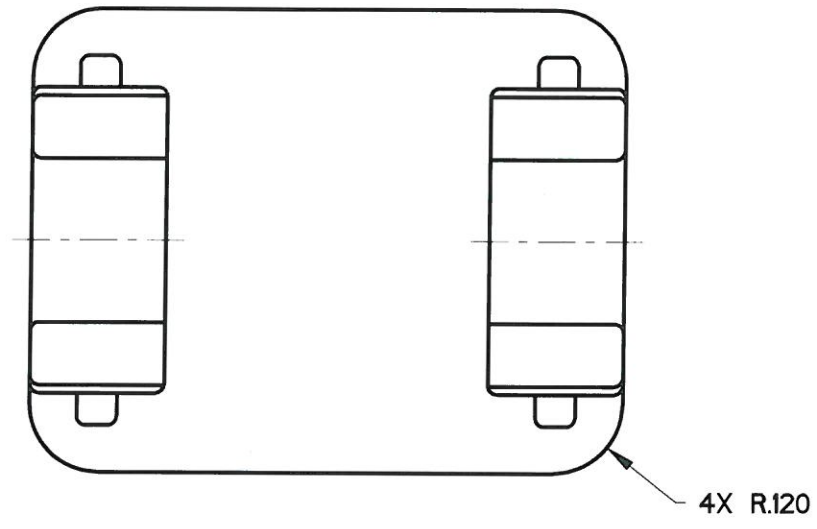
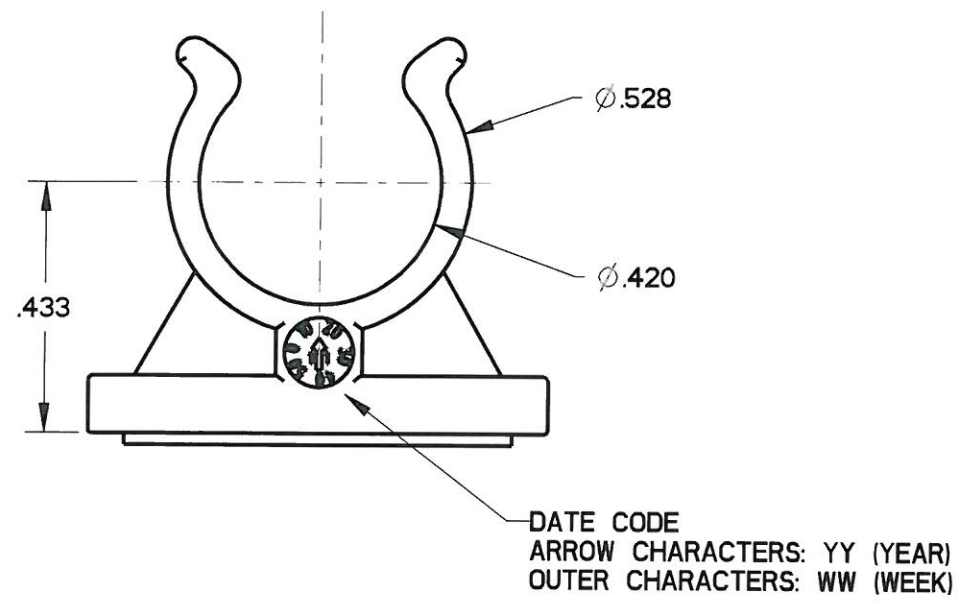
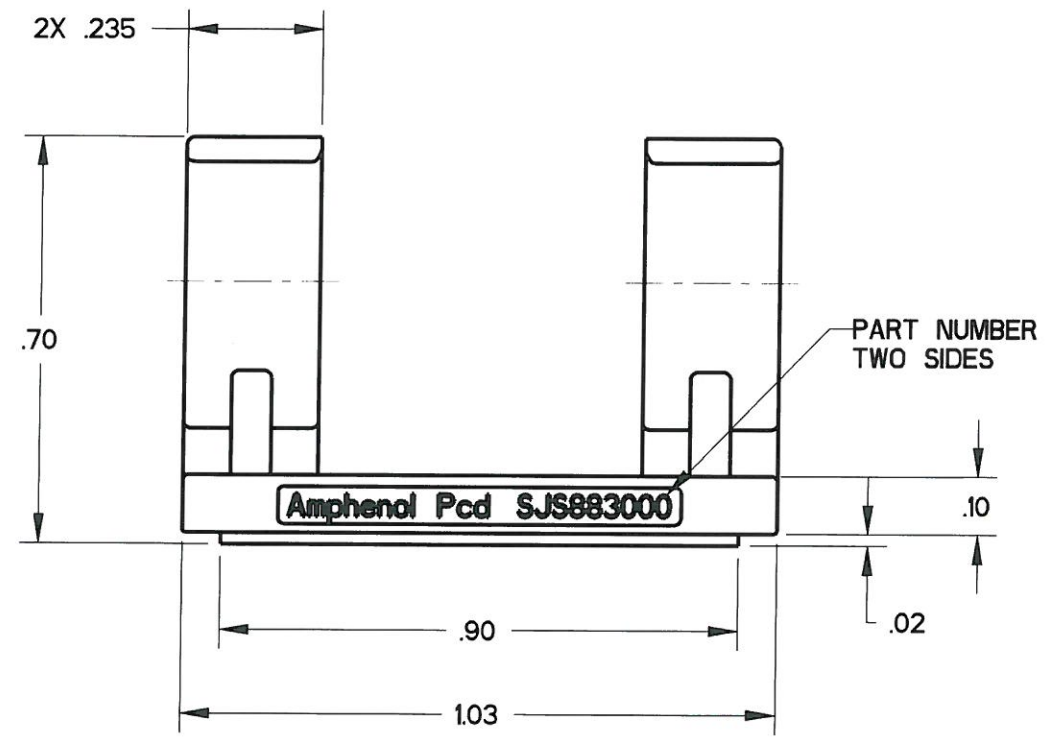
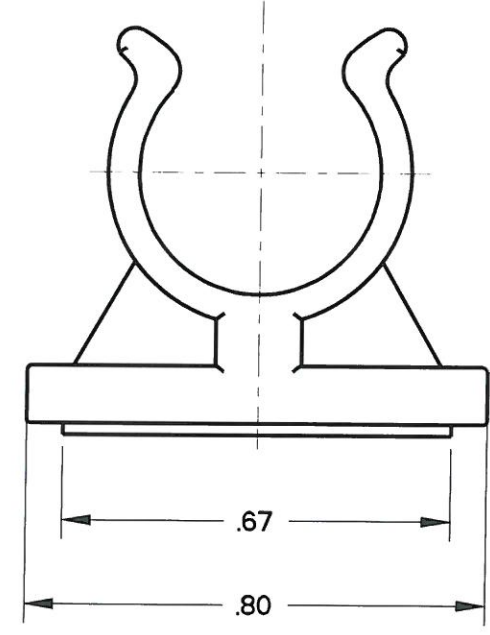


REV	ECN	APP'D
-	6716	<i>[Signature]</i> 8/18/14



SCALE 2:1



DATE CODE  
ARROW CHARACTERS: YY (YEAR)  
OUTER CHARACTERS: WW (WEEK)

- NOTES:  
1. MATERIALS:  
MOUNTING SMALL CRADLE : PA6/6  
ADHESIVE TAPE: 3M 5958FR VHB  
2. WEIGHT: 2.7 GRAMS (EST.)

<b>DIMENSIONS</b> ANSI Y14.5M UNITS: INCHES Pro/E FILE	<b>TOLERANCES</b> .XX ±0.01 .XXX ±0.005 ANGLES ±2.0°	<b>PROJECTION</b> 	<b>Amphenol Pcd</b> SPECIFICATION DRAWING		<b>TITLE</b> SJS MOUNTING CRADLE, SHELL SIZE 7 WITH ADHESIVE		
			ENGR A. Hien 13-Jul-10	CHKD <i>[Signature]</i> 8/18/14	SIZE <b>B</b>	DWG NO. <b>SJS883000_CE</b>	REV -
ORIGINAL 	THIS DOCUMENT CONTAINS PROPRIETARY INFORMATION WHICH IS THE CONFIDENTIAL PROPERTY OF AMPHENOL PCD INC. BEVERLY, MA, USA		APPD <i>[Signature]</i> 8/18/14	CODE: 58982	SCALE: 3:1	SHEET 1 OF 1	

SJS883000

SJS883000